



Pressalit Adjustable Support Arms / Grab Bars

Fixed:

R360085

EAN: 5708590367941

Previous version: R3085, RF085, R3018, RF018

Flex (Vertical Adjustment):

Right-Hand Operation: R370485

EAN: 5708590368252

Previous version: R3185, RF185,
R3148, RF148

Left-Hand Operation: R370385

EAN: 5708590368139

Previous version: R3175, RF175

Plus (Vertical-Horizontal Adjustment):

Right-Hand Operation: R391485

EAN: 5708590369037

Previous version: R3585, RF585,
R3548, RF548

Left-Hand Operation: R391385

EAN: 5708590368917

Previous version: R3575, RF575



The guarantee covers faults or defects in material or manufacture within a period of 5 years. Products are subject to minor technical modifications and design deviations. E. & O.E.

Mounting instruction



A mounting instruction is included with the product. It can also be downloaded from www.pressalit.com.

Operational signage



An operational signage can be downloaded from www.pressalit.com.

Symbols used in this manual

The following symbols are used in this manual as well as the associated documentation supplied with the product.



WARNING indicates a potentially hazardous situation which, if not avoided, could result in death or serious injury.



CAUTION indicates a potentially hazardous situation which, if not avoided, may result in minor or moderate injury. It may also be used to alert against unsafe practices.



IMPORTANT indicates important information about handling and use of the product.



NOTICE is used to address practices not related to personal safety.



Hand injury warning.

General safety

WARNING

- Read and understand the manual completely before use. Keep the manual close to the unit.
- Comply with this manual to avoid accidents involving serious personal injury.
- Never use or handle this product in other ways than are specified in this manual, as this can put your safety at risk and cause damage to the product.
- Make sure that everyone who is to install or use the product and its systems has the necessary information and access to this manual.

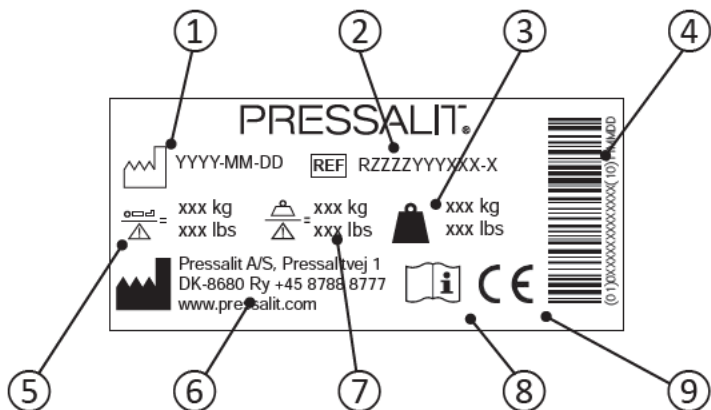
CAUTION

- Please comply with these instructions to avoid the product becoming damaged or destroyed.
- Do not perform repairs, disassembly, or assembly operations, extensions, re-adjustments or modifications to this product. These must be carried out by Pressalit or by persons authorized by Pressalit only.
- Never allow children to operate this product unless under supervision. The product is not intended for play.
- Never use the product if it is defective or damaged. Do not use a defective product before it has been repaired.

NOTICE

- The information in this manual is based on correct fitting of the product in accordance with our Assembly instruction.
 - Pressalit Care cannot be held liable if the product is used in any way which differs from that described in the guide.
 - We reserve the right to amend this manual without prior notice.
-

Product label



① Production date

② Article number

③ Product weight

④ GS1-128 barcode

⑤ Maximum user weight

⑥ Name and address of manufacturer

⑦ Safe working load

⑧ Consult manual for use

⑨ This product is CE-marked in accordance with the European Medical Device Regulation 2017/745.

Versions

Product label placement ①.

Fixed



R360085

Flex (Vertical Adjustment)



Right-Hand

R370385



Left-Hand

R370485

Plus (Vertical & Horizontal Adjustment)



Right-Hand

R391385



Left-Hand

R391485

Intended use

The support arm is used as support for a person when he or she sits down or gets up from a toilet.

Intended user profile

The product can be used by all - adults, children, young and old.

Operating environment

For indoor use in a wet environment, such as a bathroom or wash room, in private homes, nursing homes and hospitals. For institutional use, the expected life time is 10 years.

Life cycle test performed according to ISO 17966:2016.

NOTICE

If the product is installed in an atmosphere heavy in salt or chloride, the warranty will be reduced from the normal 5 years to 1 year.

Salt and chloride have a corrosive effect on the products components and will cause a decrease in the life expectancy of the product. The damaging effects can, however, be reduced if the product is showered with tap water on a daily basis.

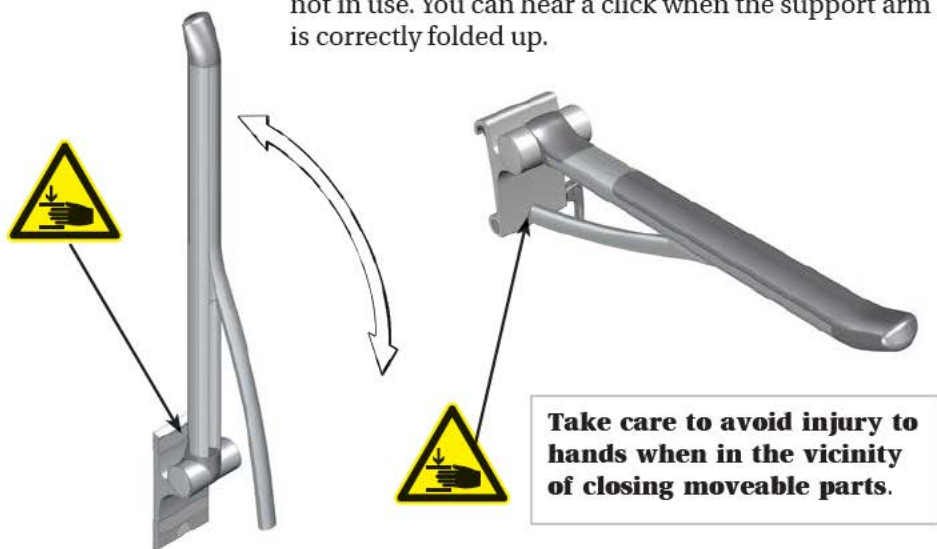
CAUTION

The surface of the product may become hot and / or cold if exposed to external sources of heat or cold (eg sunlight or frost).

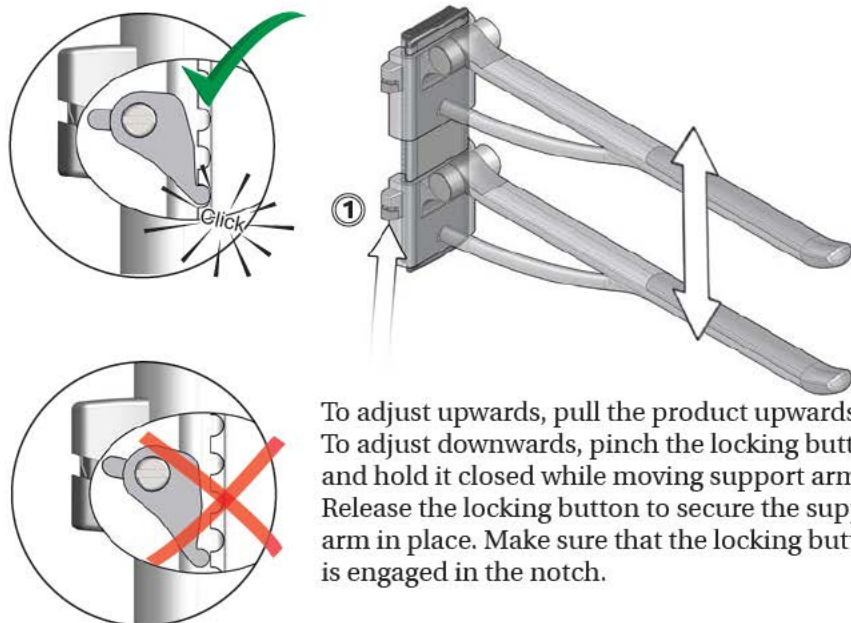
Operating instructions

All support arms

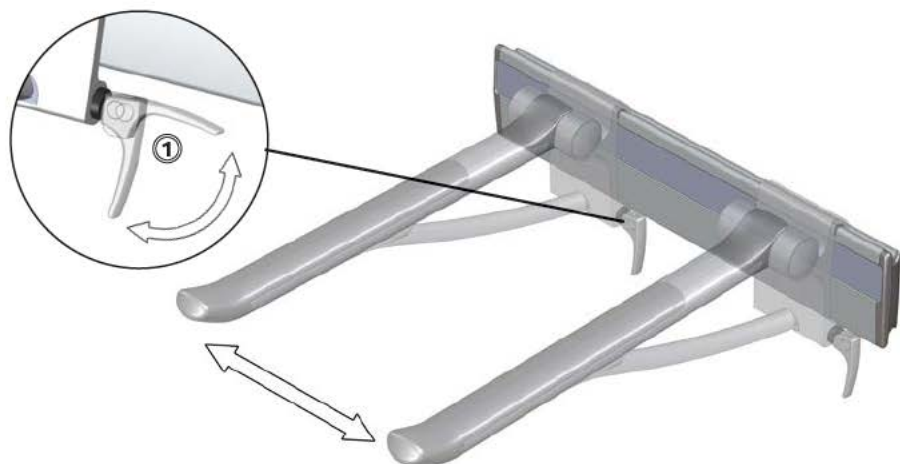
Fold the support arm fully down. Fold it back up when not in use. You can hear a click when the support arm is correctly folded up.



Height adjustable support arms

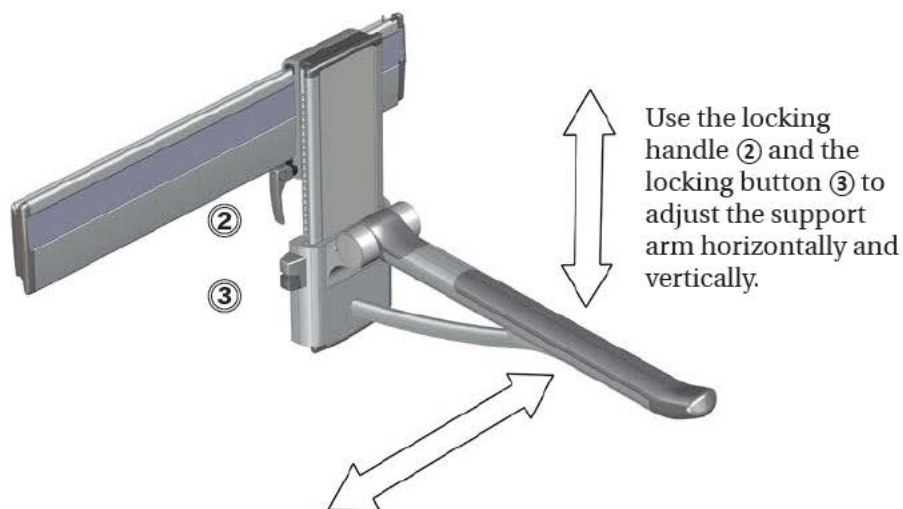


Sideways adjustable support arms



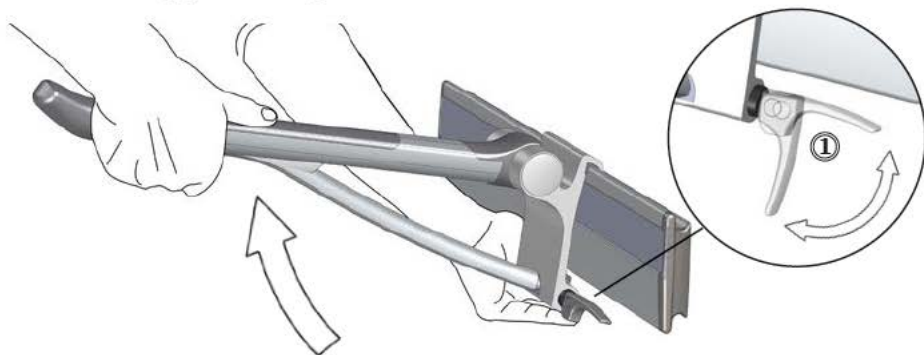
Release the locking handle ① and move the support arm sideways. Tighten the locking handle again to secure the support arm in place.

Height and sideways adjustable support arms



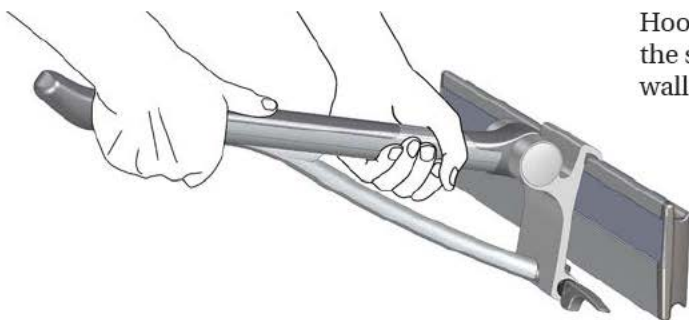
Dismounting from wall track

To remove the support arm from the wall track, release the locking handle ① and lift the support arm upwards.

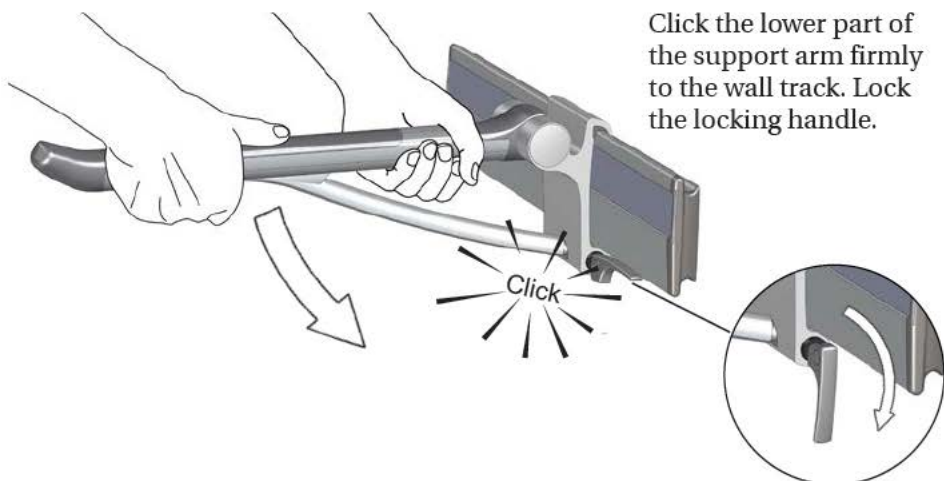


Mounting on wall track

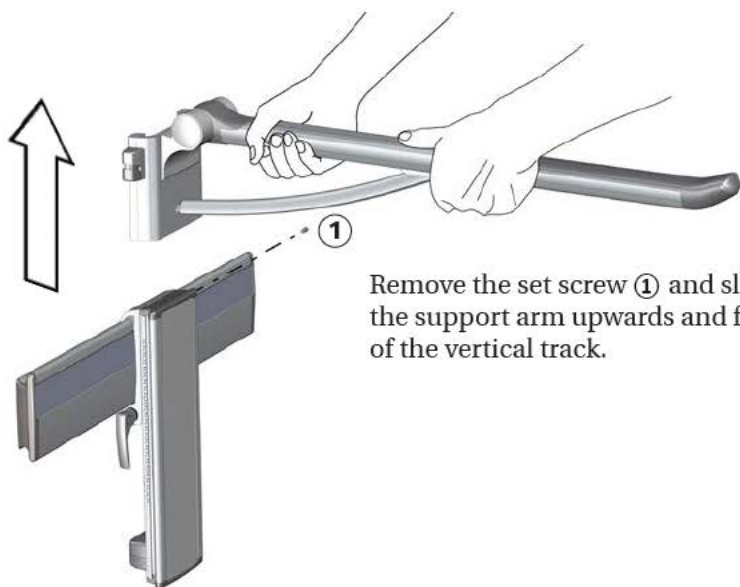
Hook the upper part of the support arm on the wall track.



Click the lower part of the support arm firmly to the wall track. Lock the locking handle.

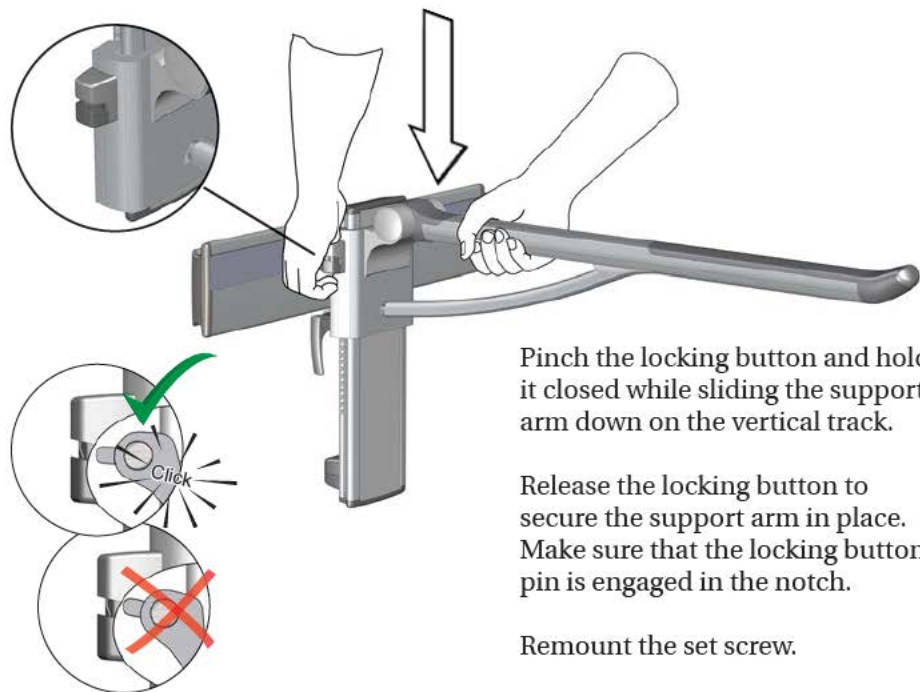


Dismounting from vertical track



Remove the set screw ① and slide the support arm upwards and free of the vertical track.

Mounting on vertical track



Pinch the locking button and hold it closed while sliding the support arm down on the vertical track.

Release the locking button to secure the support arm in place. Make sure that the locking button pin is engaged in the notch.

Remount the set screw.

Cleaning

The product is to be cleaned with hot water or a mild soapy cleaning agent.

CAUTION

Always read the material safety data sheet (MSDS) and supplied instructions of the cleaning, disinfecting or de-scaling agent and comply with instructions for safe use, dilution, rinsing, drying, handling and storage of the agent.

IMPORTANT

- Do not use an autoclave or other type of steam cleaner.
- Avoid aggressive cleaning agents containing acids
- Never spray the product directly with a high pressure cleaner.
- Avoid use of abrasive, corrosive or chlorine-based cleaning or disinfecting products.

To remove limescale

To remove limescale marks on the aluminium parts, use 3 parts 30% household vinegar to 7 parts water and afterwards wipe the parts with a cloth wrung out in clean water.

In countries with relatively high levels of lime in the water supply, it may be necessary to remove limescale deposits from the aluminium parts using a de-scaling agent such as acetic acid. Test this first on a area that is not visible when the product is in use.

Maintenance

Remove dust from the wall mount of the sideways adjustable support arm at a regular basis. Wipe with lubricant.

Expected service life of the support arm is 10 years.

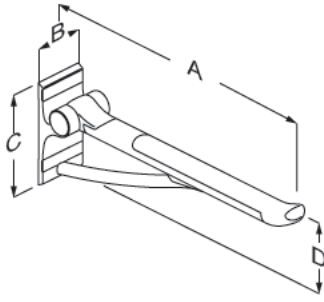
Trouble-shooting

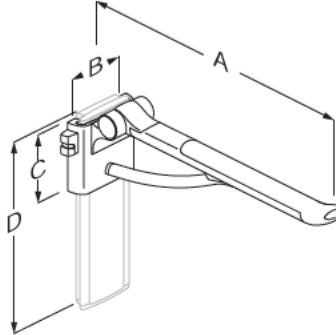
Symptom	Cause	Action
The product can't be moved sideways.	There might be dirt or dust on the horizontal walltrack.	Clean the walltrack and grease it with silicone.
The locking button doesn't lock.	The lock is not properly adjusted.	See mounting instruction.

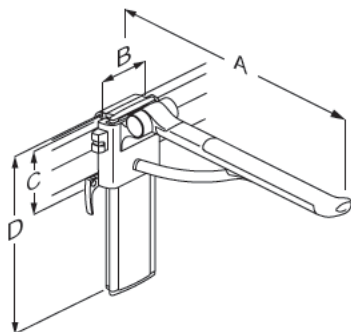
Technical data

Max user weight	150 kg / 331 lbs
Materials	Anodized aluminium Stainless steel SEBS ABS

Dimensions, inches

		<p>Fixed</p> <p>R360085</p>
A	33.46	
B	3.9	
C	8.26	
D	6.61	

		<p>Flex (Vertical Adjustment)</p> <p>R370385 Right-Hand Operation</p> <p>R370485 Left-Hand Operation</p>
A	34.64	
B	5.03	
C	5.90	
D	16.69	



Plus (Vertical & Horizontal)

		R391385 Left-Hand		R391485 Right-Hand
A		30.31		36.22
B	5.03			
C	5.90			
D	16.69			

Product weights

Model number	Product mass (lbs)	
Fixed:		
R360085	6,83	
Flex (Left-Hand):		
R370385	9.57	
Flex (Right-Hand):		
R370485	9.57	
Plus (Left-Hand):		
R391385	11.46	
Plus (Right-Hand):		
R391485	7.36	

Disposal and recycling

The unit contains reusable materials. There are no known hazards or risks associated with disposal of the product. All components can be discarded after having been cleaned and disinfected.

When disposing of the product, we recommend that it be disassembled and broken down into different waste groups for recycling or combustion.

The following table provides information on the recycling and handling of the product.

Aluminium	Aluminium is theoretically 100% recyclable without any loss of its natural qualities. It requires only 5% of the energy used to produce primary aluminium. The quality of recycled aluminium is so high that it can be used again and again, even in the case of anodised products as the anodised layer is a natural part of the aluminium.
Steel	Steel can be recycled by being re-melted and included as a secondary material in the production of new steel.
SEBS	Use plastic sorting and recycling systems where they are locally available, otherwise incinerating plastic has the added benefit of generating energy, which can be used for, for example, combined heat and power production.
ABS	As virgin ABS is somewhat expensive, recycling ABS is economically very attractive. Recycled ABS can be blended with virgin material to produce products with lower cost while preserving the high quality.