



REACH



PARTS MANUAL

Table of Contents

FRAME COMPONENTS

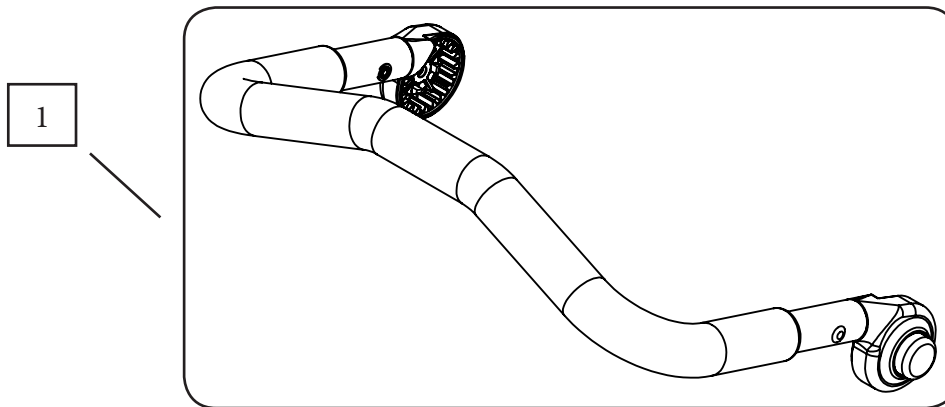
Table of Contents.....	1
Handlebar ASM	2
Back ASM.....	2
Frame Lock Tube ASM.....	3
Rear Frame ASM.....	4
Hub Lock ASM.....	4
Front Frame ASM	5
Rear Wheel ASM, Left & Right.....	6
Quick Release Axle Pin	6
Caster ASM	6
Armrest Frame Right & Left.....	7
Seat ASM.....	7
Seat Plate Front ASM.....	8
Footbed Tubes ASM.....	8
Footbed ASM.....	9
Frame Linkage Lower Left & Right.....	10
Frame Linkage Rear Left & Right.....	10

ACCESSORIES

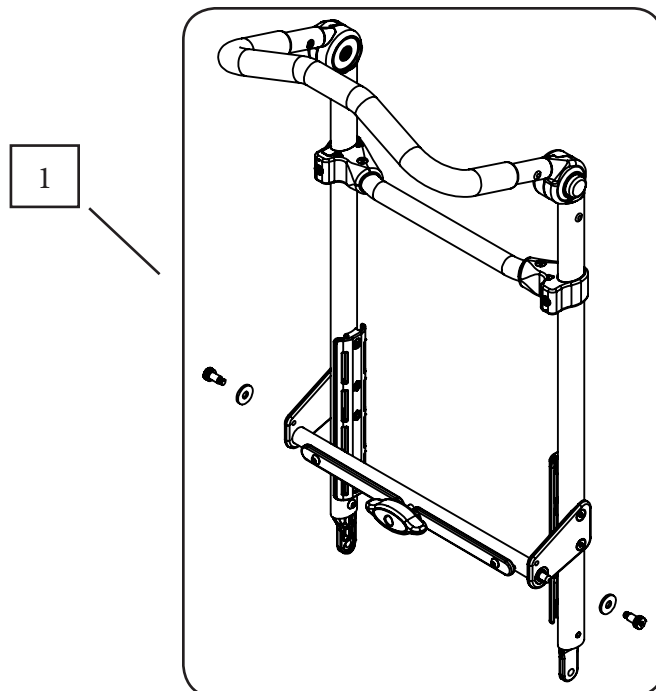
Positioning Tray Platform ASM.....	11
Tray Receiver Right & Left	11
Headrest Clamp.....	12
8in Multi Adjustable Curved Headrest	12
RESPOND Curved Headrest	13
LT Planar Rectangular Headrest	13
Lateral Pelvic Thigh Supports.....	14
Anti-Tips	14
Oxygen Tank Holder	15
IV Pole.....	15
Planar Seat.....	16
Planar Back	16
Sunshade	16
Under Seat Storage Bag	16
Contoured Configurable Back	17
LT Chest Harness w/ bolster and underarm pads	17
Lumbar Support.....	18
EVA Lumbar & 4 EVA Positioning Wedges.....	18
Ankle Huggers	19
Rain Covers.....	20
Grab Bars	20
Swing Away In/Out Lateral HDWR	21
REACH Contoured Back (RCB).....	22
Transit Option	23
5 Point Positioning Harness	24
5 Point Transit Harness.....	24
Transit Sure-Lok Lap Belt.....	25



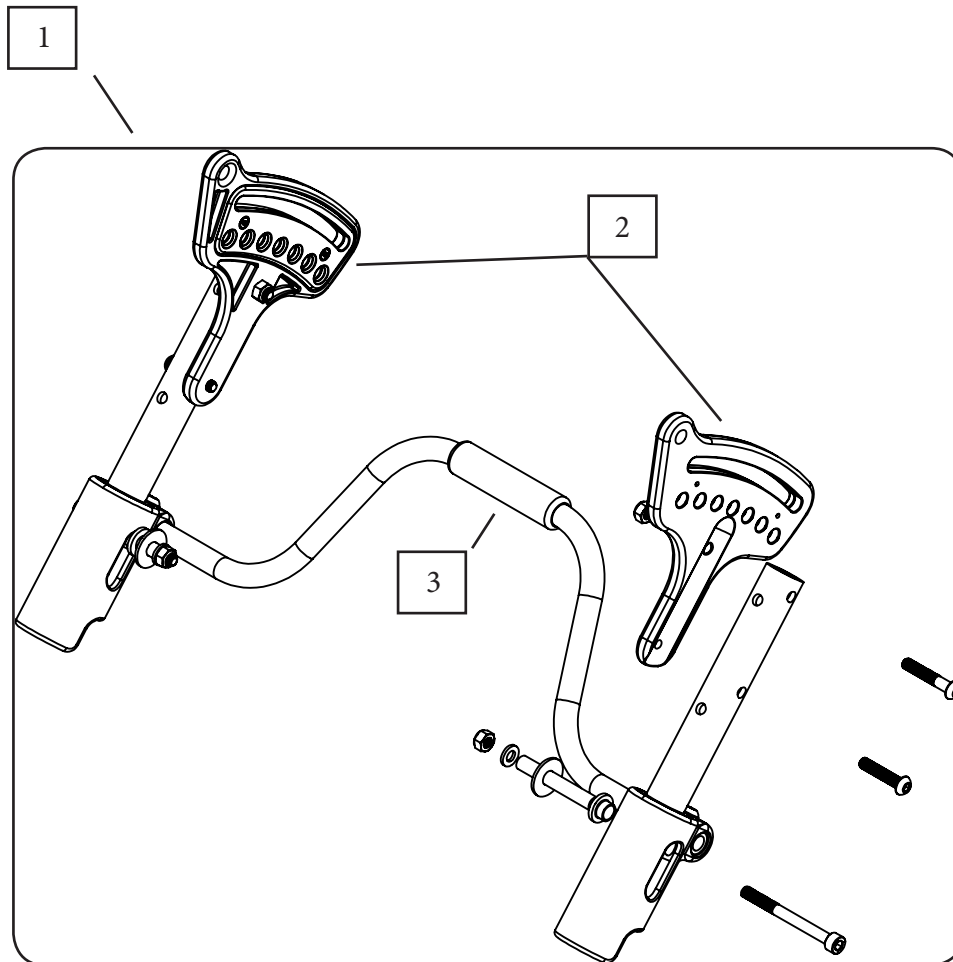
REF #	DESCRIPTION	PART #	QTY
1	Handlebar ASM, 12in	4020-0012	1
1	Handlebar ASM, 14in	4020-0013	1
1	Handlebar ASM, 16in	4020-0015	1



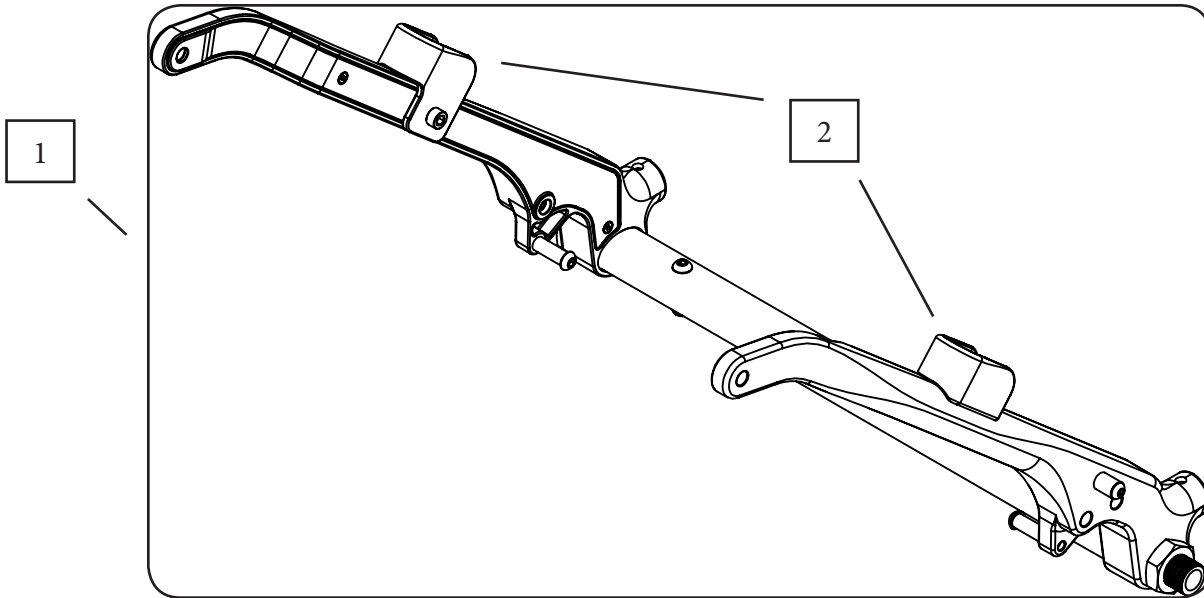
REF #	DESCRIPTION	PART #	QTY
1	Back Frame ASM, 12in & HDWR	4020-0016	1
1	Back Frame ASM, 14in & HDWR	4020-0017	1
1	Back Frame ASM, 16in & HDWR	4020-0018	1



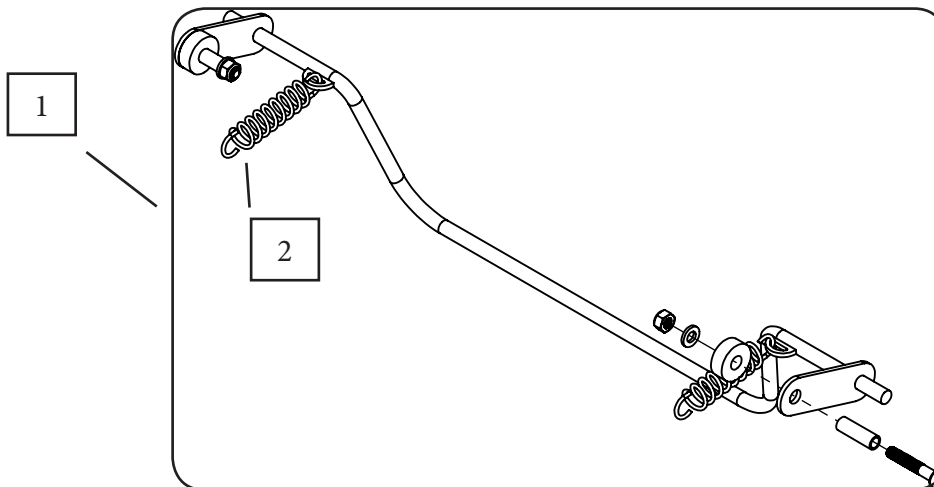
REF #	DESCRIPTION	PART #	QTY
1	Frame Lock Tube ASM, 12in & HDWR	4020-0053	1
1	Frame Lock Tube ASM, 14in & HDWR	4020-0054	1
1	Frame Lock Tube ASM, 16in & HDWR	4020-0055	1
2	Hip Adjust Plate Right & Left	4020-0059	1
3	Folding Handle, 12in	4020-0061	1
3	Folding Handle, 14in	4020-0062	1
3	Folding Handle, 16in	4020-0063	1



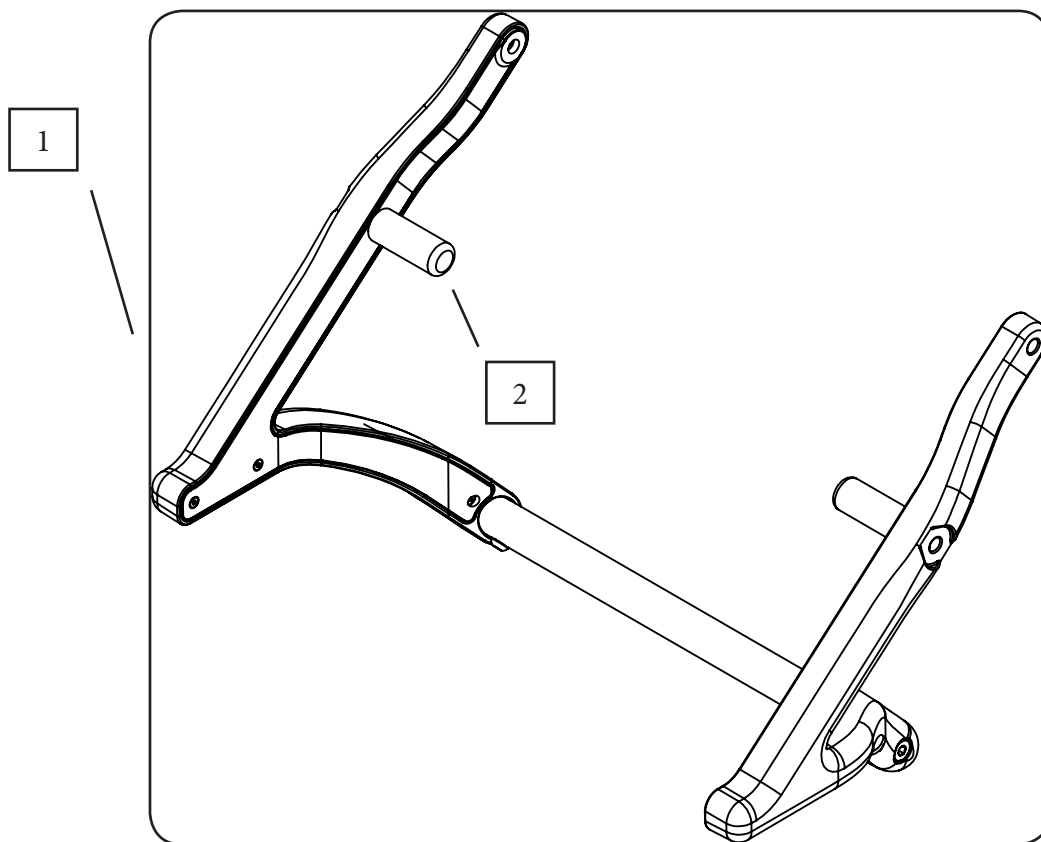
REF #	DESCRIPTION	PART #	QTY
1	Rear Frame, 12in	4020-0021	1
1	Rear Frame, 14in	4020-0022	1
1	Rear Frame, 16in	4020-0023	1
2	Frame Lock Stop, Left & Right	4020-0074 4020-0075	1



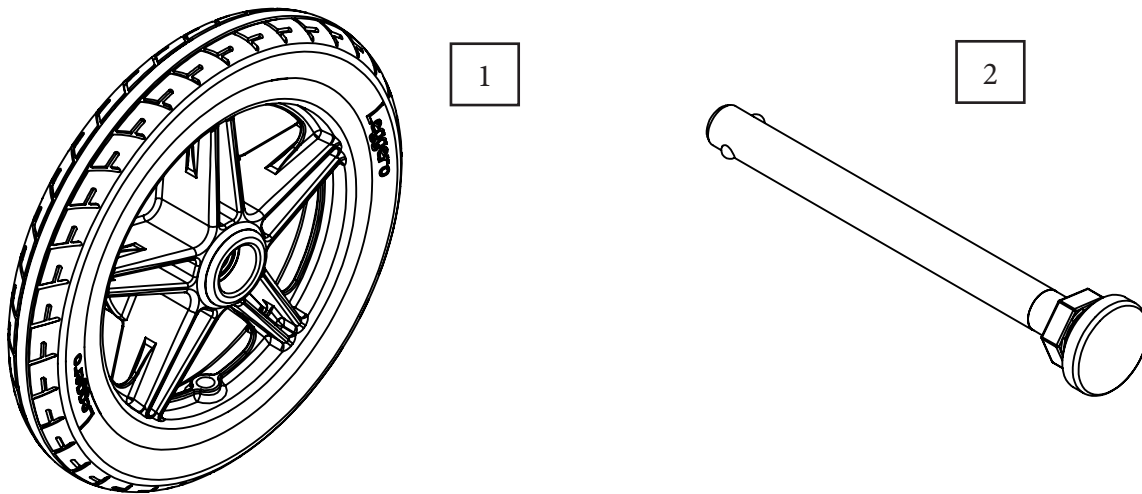
REF #	DESCRIPTION	PART #	QTY
1	Hub Lock Cross Bar Weldment ASM, 12in	4020-0042	1
1	Hub Lock Crossbar Weldment ASM, 14in	4020-0043	1
1	Hub Lock Crossbar Weldment ASM, 16in	4020-0044	1
2	Hub Lock Spring	4020-0052	1



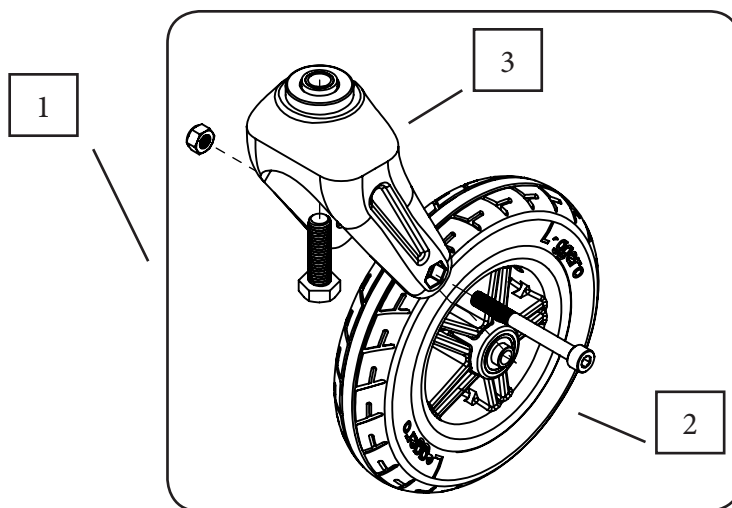
REF #	DESCRIPTION	PART #	QTY
1	Front Frame ASM, 12in & HDWR	4020-0024	1
1	Front Frame ASM, 14in & HDWR	4020-0025	1
1	Front Frame ASM, 16in & HDWR	4020-0026	1
2	Unfolding Stop	4020-0064	2



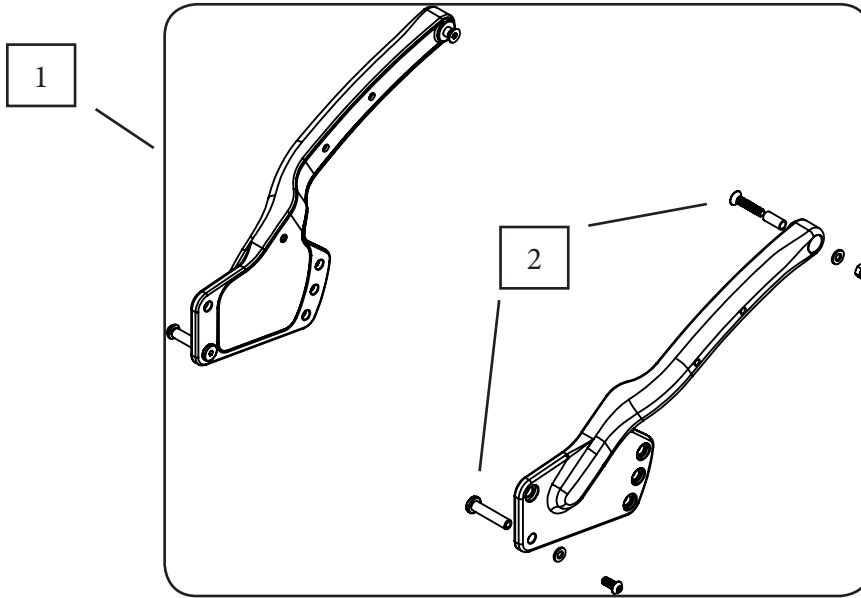
REF #	DESCRIPTION	PART #	QTY
1	Reach Rear Wheel ASM, Left & Right	4020-0040	1
2	Quick Release Axle Pin	4020-0006	2



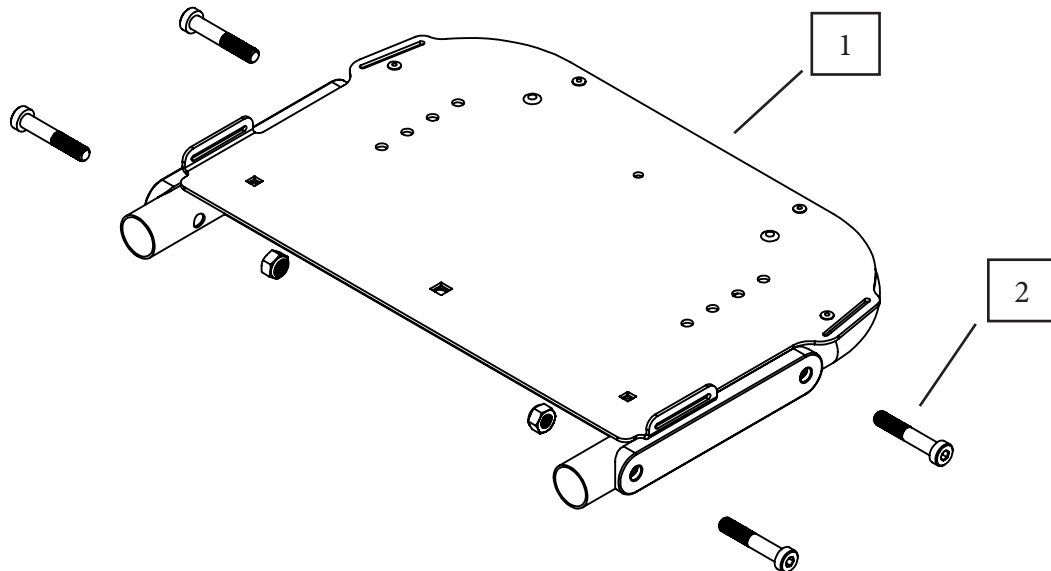
REF #	DESCRIPTION	PART #	QTY
1	Reach Caster ASM	4020-0045	2
1	Reach Caster Wheel ASM & HDWR	4020-0046	2
2	Reach Caster Fork ASM & HDWR	4020-0047	2



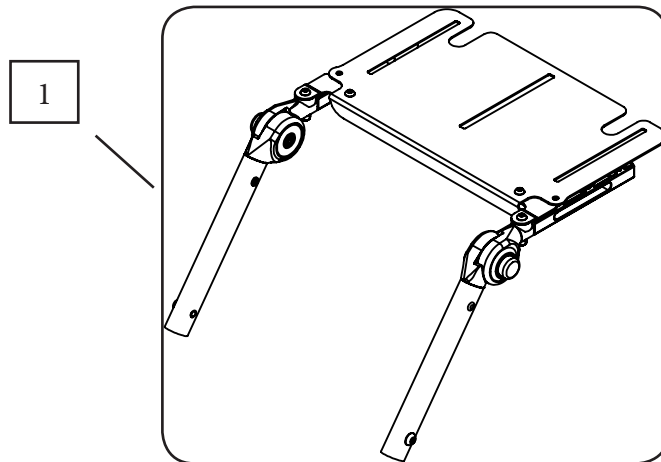
REF #	DESCRIPTION	PART #	QTY
1	Armrest Frame Right & Left	4020-0019	1
2	Armrest Frame HDWR	4020-0076	1



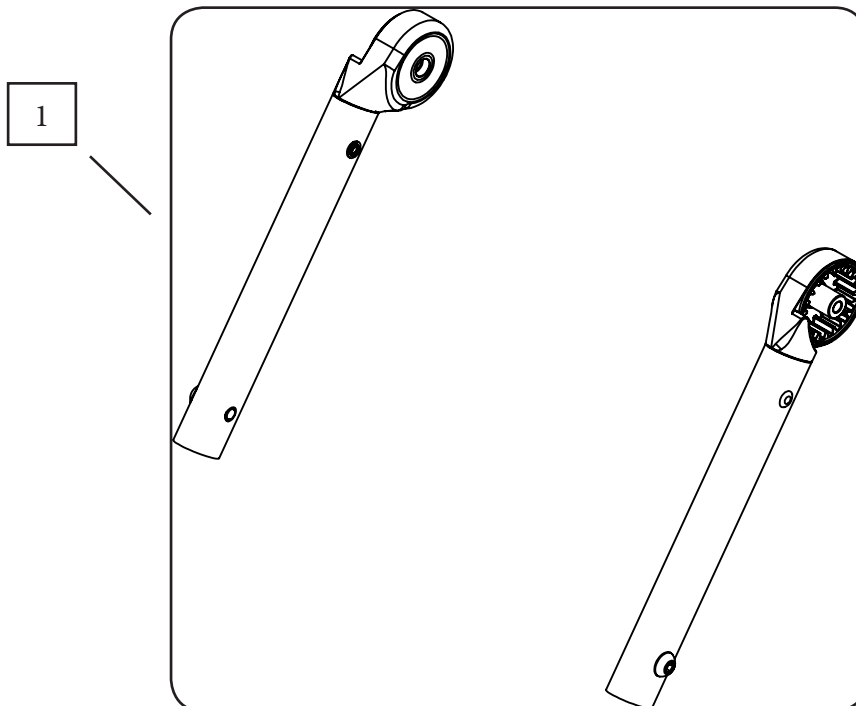
REF #	DESCRIPTION	PART #	QTY
1	Seat ASM, 12in	4020-0027	1
1	Reach Seat ASM, 14in	4020-0028	1
1	Reach Seat ASM, 16in	4020-0029	1
1	Reach Seat ASM, 16in Extended <small>(not shown)</small>	4020-0030	1
2	Seat ASM HDWR	4020-0077	1



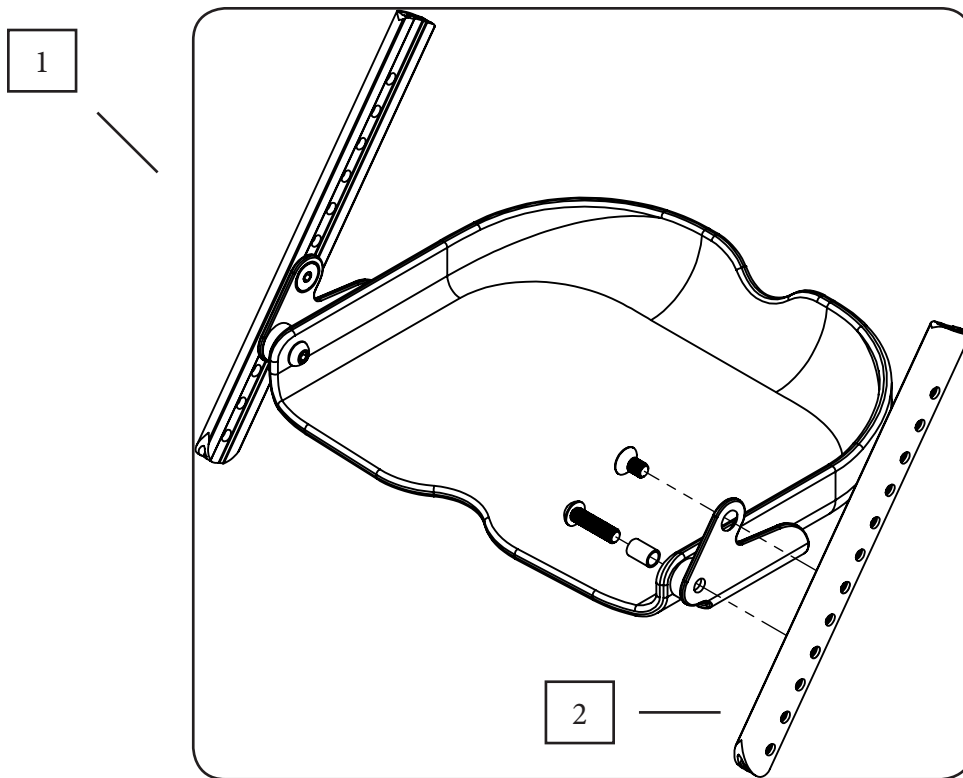
REF #	DESCRIPTION	PART #	QTY
1	Seat Plate Front ASM, 12in & HDWR	4020-0034	1
1	Seat Plate Front ASM, 14in & HDWR	4020-0035	1
1	Seat Plate Front ASM, 16in & HDWR	4020-0036	1



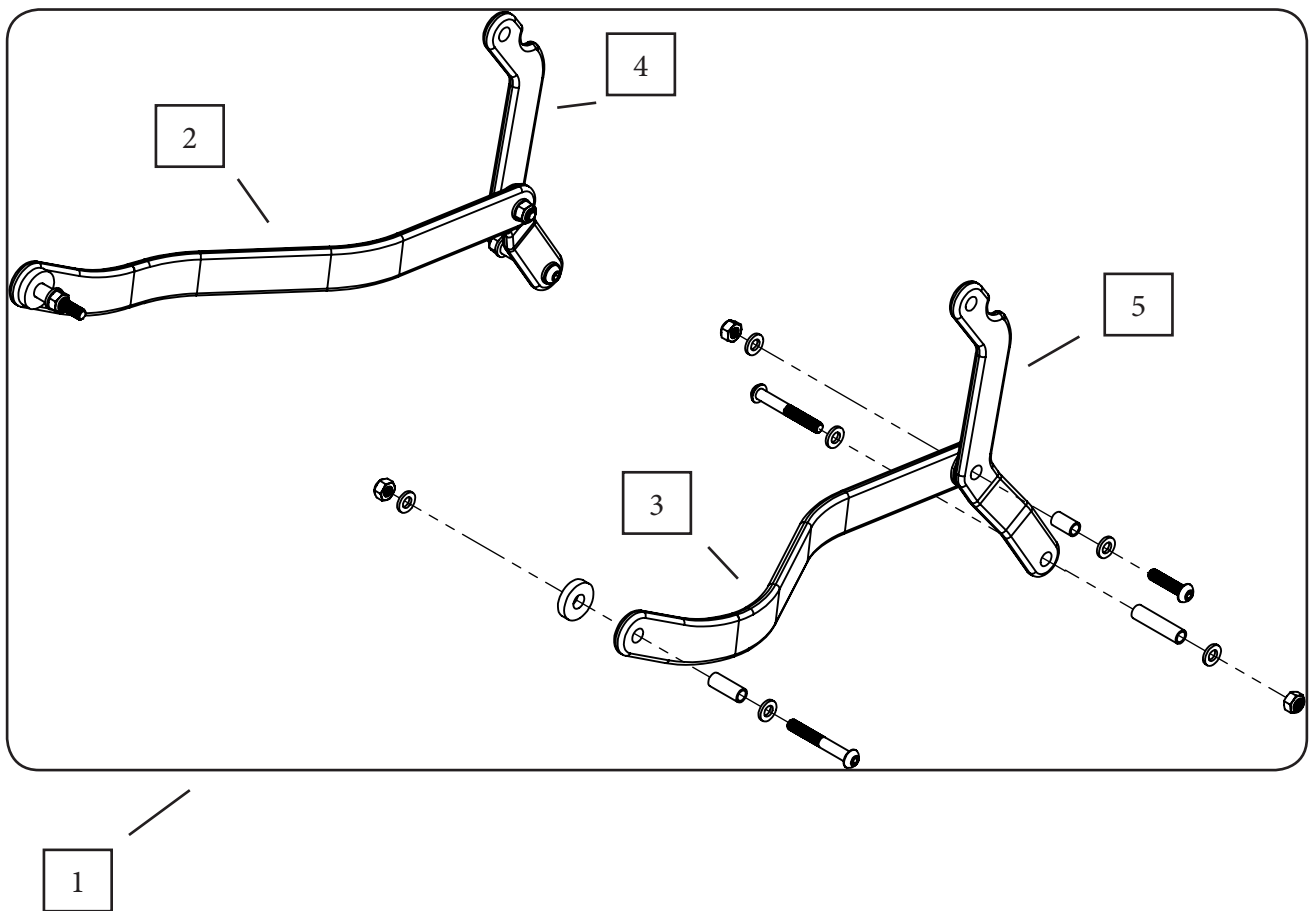
REF #	DESCRIPTION	PART #	QTY
1	Footbed Tubes ASM, 12in	4020-0037	1
1	Footbed Tubes ASM, 14in	4020-0038	1
1	Footbed Tubes ASM, 16in	4020-0039	1



REF #	DESCRIPTION	PART #	QTY
1	Footbed ASM, 12in & HDWR	4020-0031	1
1	Footbed ASM, 14in & HDWR	4020-0032	1
1	Footbed ASM, 16in & HDWR	4020-0033	1
2	Footbed Extension 12"	4020-0056	2
2	Footbed Extension 14" & 16"	4020-0057	2

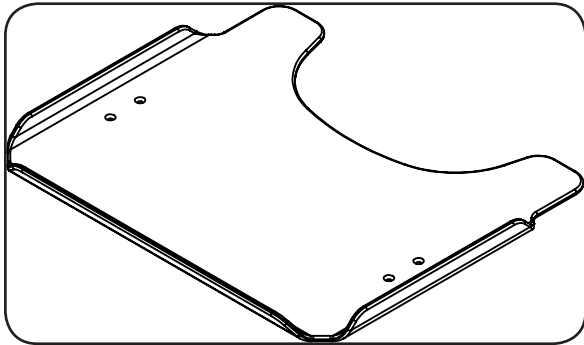


REF #	DESCRIPTION	PART #	QTY
1	Frame Linkage ASM & HDWR	4020-0058	1
2	Reach Linkage Lower, Right	4020-0048	1
3	Reach Linkage Lower, Left	4020-0049	1
4	Reach Linkage Rear, Right	4020-0050	1
5	Reach Linkage Rear, Left	4020-0051	1

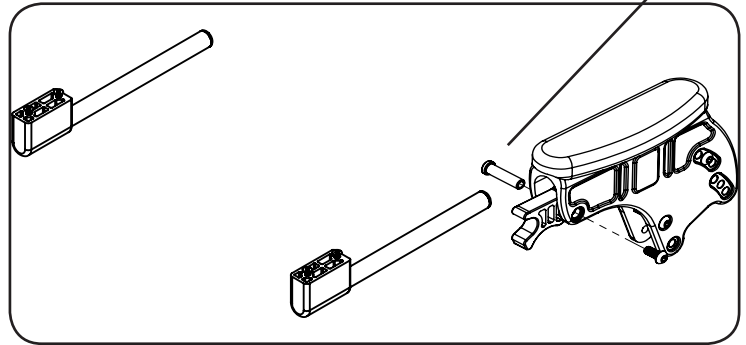


REF #	DESCRIPTION	PART #	QTY
1	Reach Positioning Tray Platform, ASM, 12in	3004-6113	1
1	Reach Positioning Tray Platform, ASM, 14in	3004-6114	1
1	Reach Positioning Tray Platform, ASM, 16in	3004-6115	1
2	Tray Hardware, Adj. / Removable	3004-6008	1

Only includes cam lock, bolt, & barrel nut

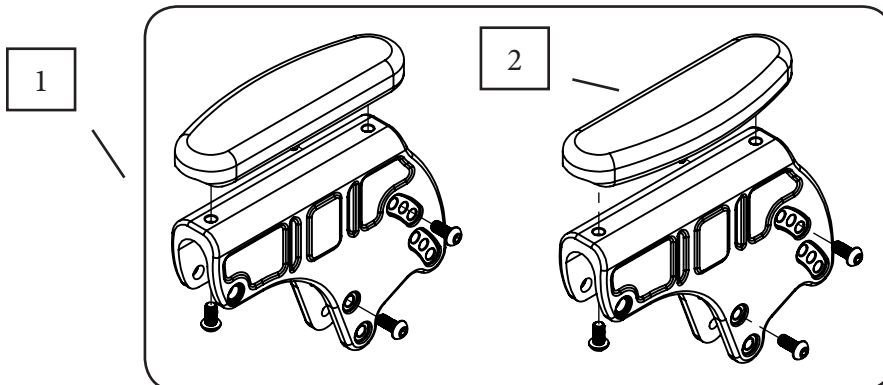


1



2

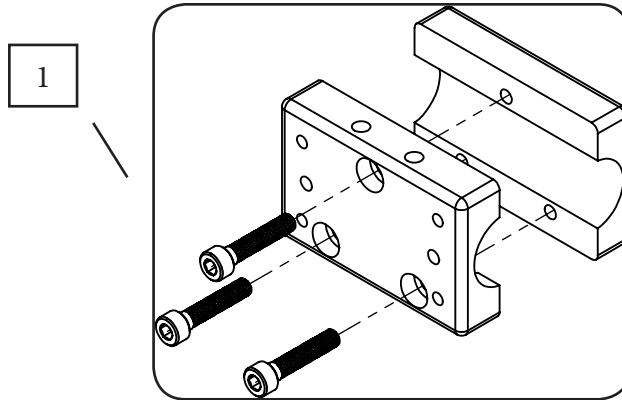
REF #	DESCRIPTION	PART #	QTY
1	Height/Angle Adjustable Armrests & HDWR (pair)	3004-6009	1
2	Arm-pad	4020-0003	1



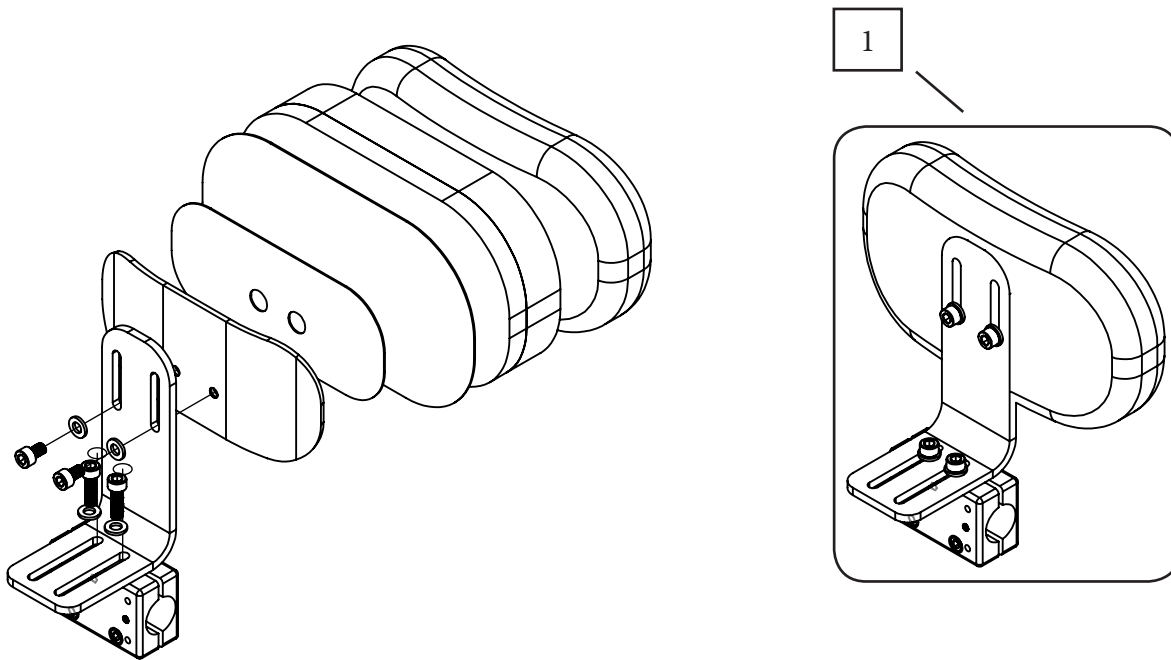
1

2

REF #	DESCRIPTION	PART #	QTY
1	Headrest Clamp & HDWR	4020-0004	1



REF #	DESCRIPTION	PART #	QTY
1	8" Multi-Adjustable Curved Headrest	3001-6005	1



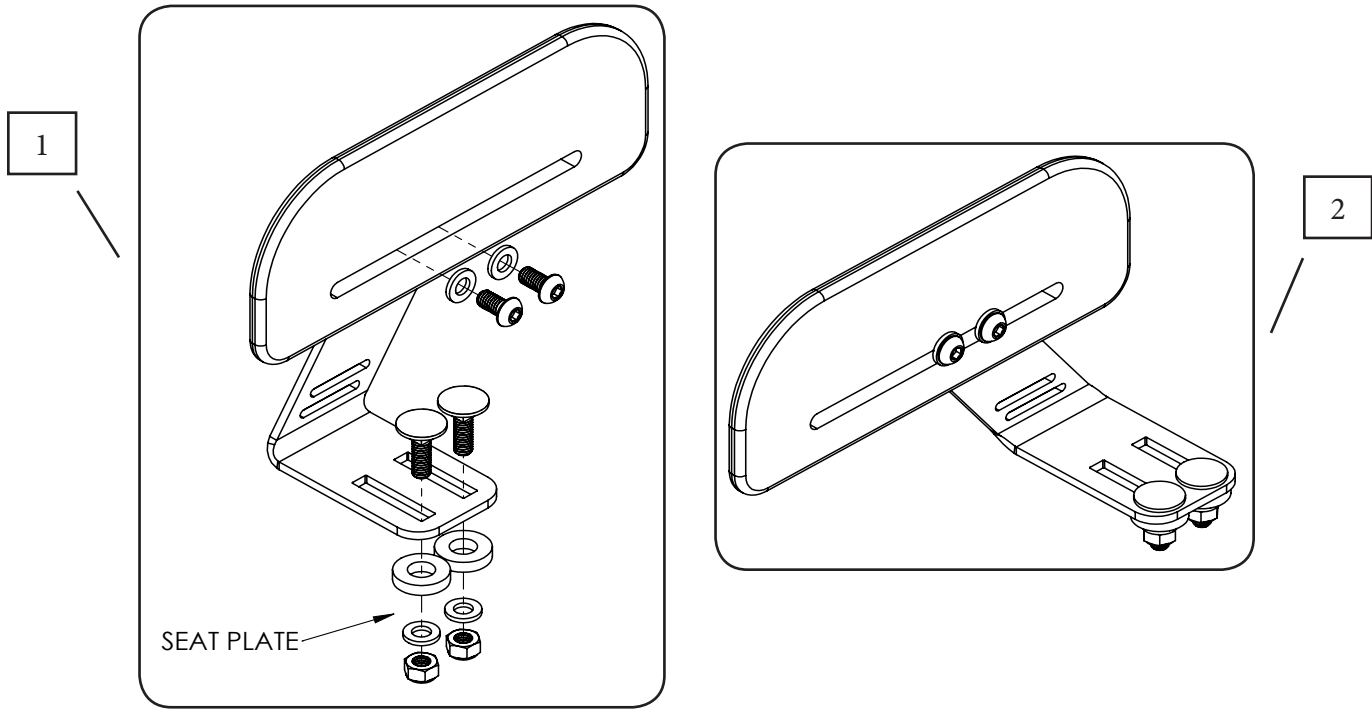
REF #	DESCRIPTION	PART #	QTY
1	RESPOND Cradle Headrest & HDWR ASM	3001-6005	1



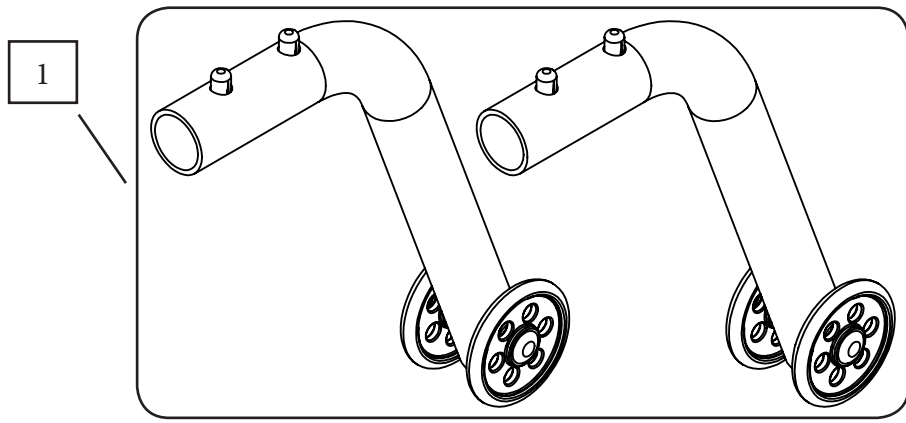
REF #	DESCRIPTION	PART #	QTY
1	LT Planar Rectangle Headrest, 12	4020-0078	1
1	LT Planar Rectangle Headrest, 14	4020-0079	1
1	LT Planar Rectangle Headrest, 16	4020-0080	1



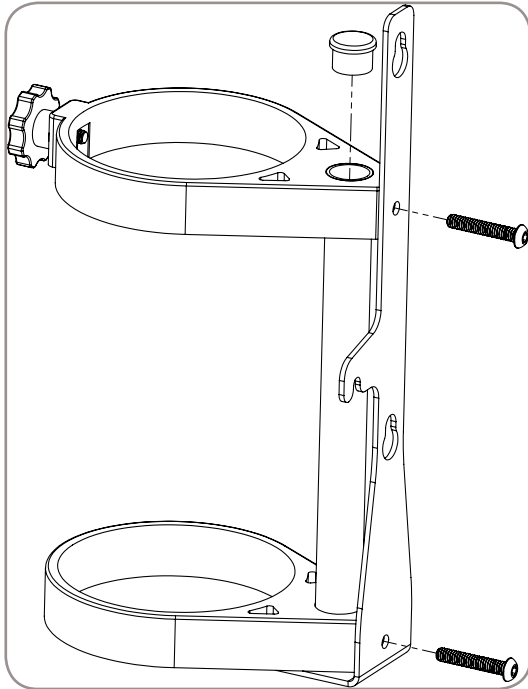
REF #	DESCRIPTION	PART #	QTY
1	LT Lateral/Pelvic Thigh Support, Left (cover not shown)	3005-6010	1
2	LT Lateral/Pelvic Thigh Support, Right (cover not shown)	3005-6011	1



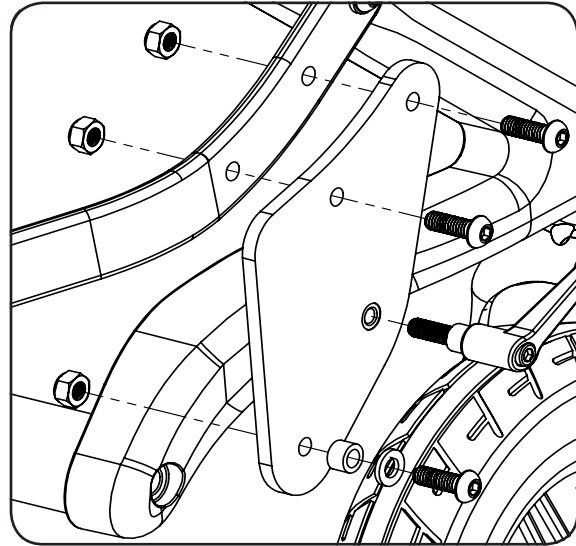
REF #	DESCRIPTION	PART #	QTY
1	Rear Anti-Tips (pair)	3004-7009	1



REF #	DESCRIPTION	PART #	QTY
1	Oxygen Tank Holder (D size)	3004-7026	1

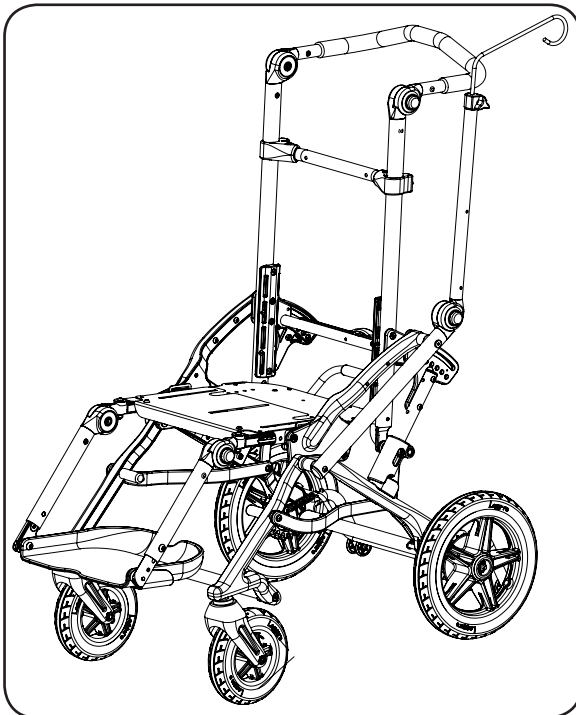


1

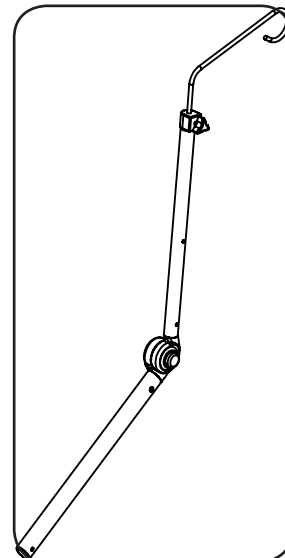


Mounting HDWR includes Reach Linkage Lower Right, 4020-0048

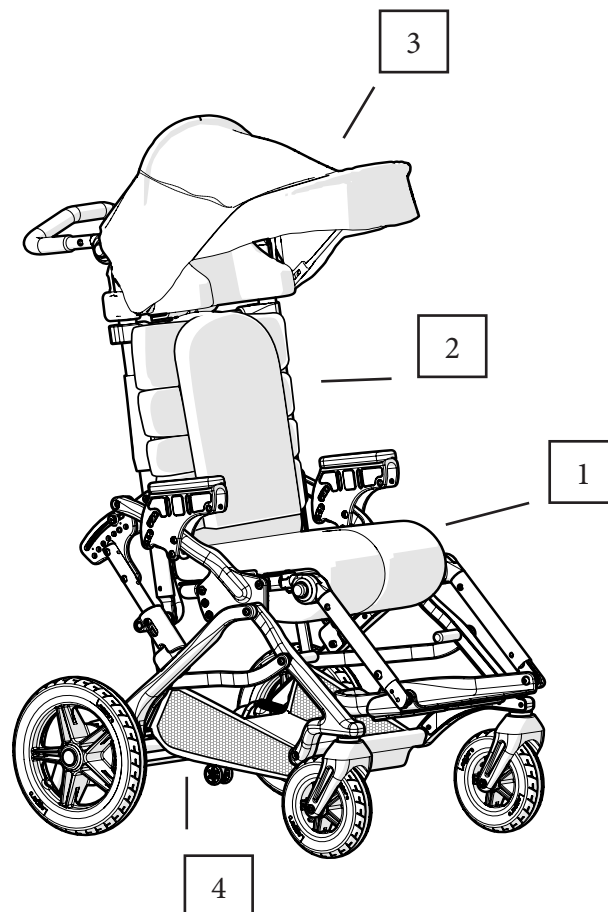
REF #	DESCRIPTION	PART #	QTY
1	IV Pole	3004-7025	1



1



REF #	DESCRIPTION	PART #	QTY
1	12 Planar Seat Cushion	3005-3001	1
1	14 Planar Seat Cushion	3005-3002	1
1	16 Planar Seat Cushion	3005-3003	1
2	12 Planar Back	3005-4004	1
2	14 Planar Back	3005-4005	1
2	16 Planar Back	3005-4006	1
3	Sunshade	4020-0137	1
4	Reach Under Seat Storage Bag, 12	4020-0066	1
4	Reach Under Seat Storage Bag, 14	4020-0081	1
4	Reach Under Seat Storage Bag, 16	4020-0082	1



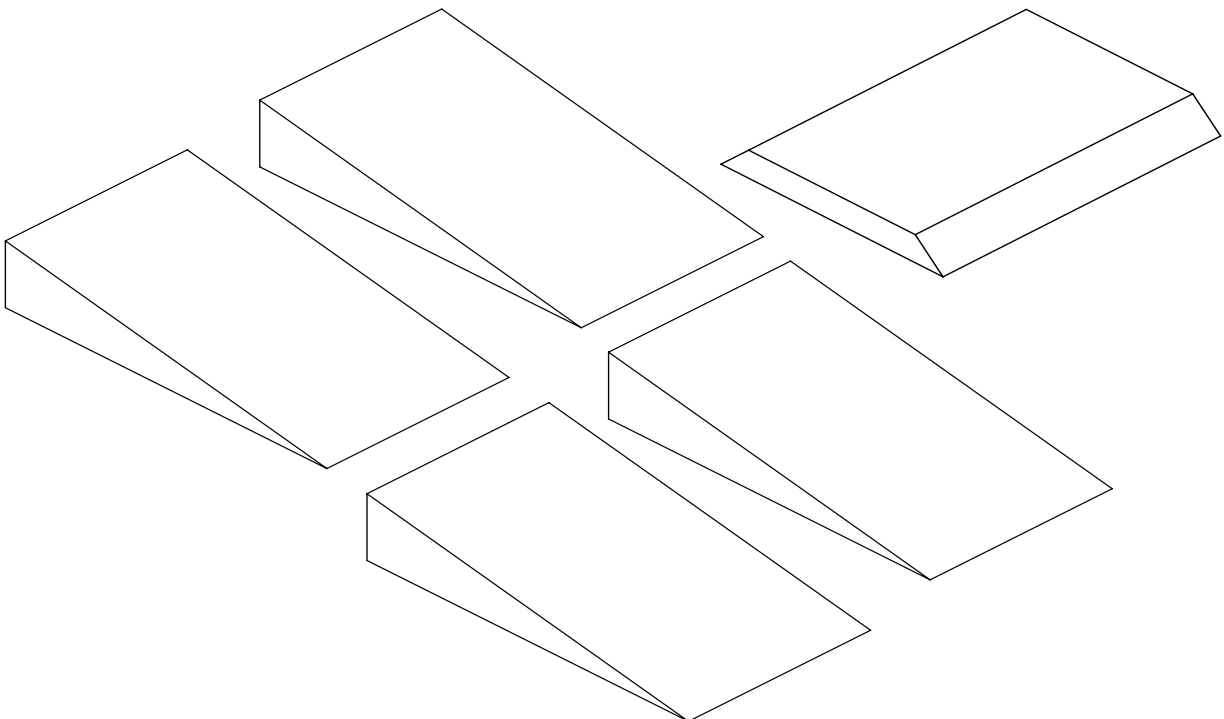
REF #	DESCRIPTION	PART #	QTY
1	12 Contoured Adjustable Back	3005-4001	1
1	14 Contoured Adjustable Back	3005-4002	1
1	16 Contoured Adjustable Back	3005-4003	1
2	Small LT Anterior Trunk Support	3005-6005	1
2	Medium LT Anterior Trunk Support	3005-6006	1
2	Large LT Anterior Trunk Support	3005-6007	1
3	Under Arm Pads	4020-0090	2
4	Bolster Pads, 12	4020-0091	2
4	Bolster Pads, 14 & 16	4020-0092	2



REF #	DESCRIPTION	PART #	QTY
1	12 Adjustable Lumbar Support	3005-6002	1
1	14 Adjustable Lumbar Support	3005-6003	1
1	16 Adjustable Lumbar Support	3005-6004	1



REF #	DESCRIPTION	PART #	QTY
1	Lumbar EVA & 4 EVA Wedges	3001-7001	1



REF #	DESCRIPTION	PART #	QTY
1	Ankle Support Left XS (Pad 2x8") RE 12/14	3001-6007	1
2	Ankle Support Right XS (Pad 2x8") RE 12/14	3001-6008	1
3	Ankle Support Left S (Pad 3x10") RE 14/16	3001-6009	1
4	Ankle Support Right S (Pad 3x10") RE 14/16	3001-6010	1

2

1

4

3



REF #	DESCRIPTION	PART #	QTY
1	Rain Cover, REACH 12	3004-7020	1
1	Rain Cover, REACH 14	3004-7021	1
1	Rain Cover, REACH 16	3004-7022	1
2	Grab Bar, REACH 12	3004-7012	1
2	Grab Bar, REACH 14	3004-7014	1
2	Grab Bar, REACH 16	3004-7016	1

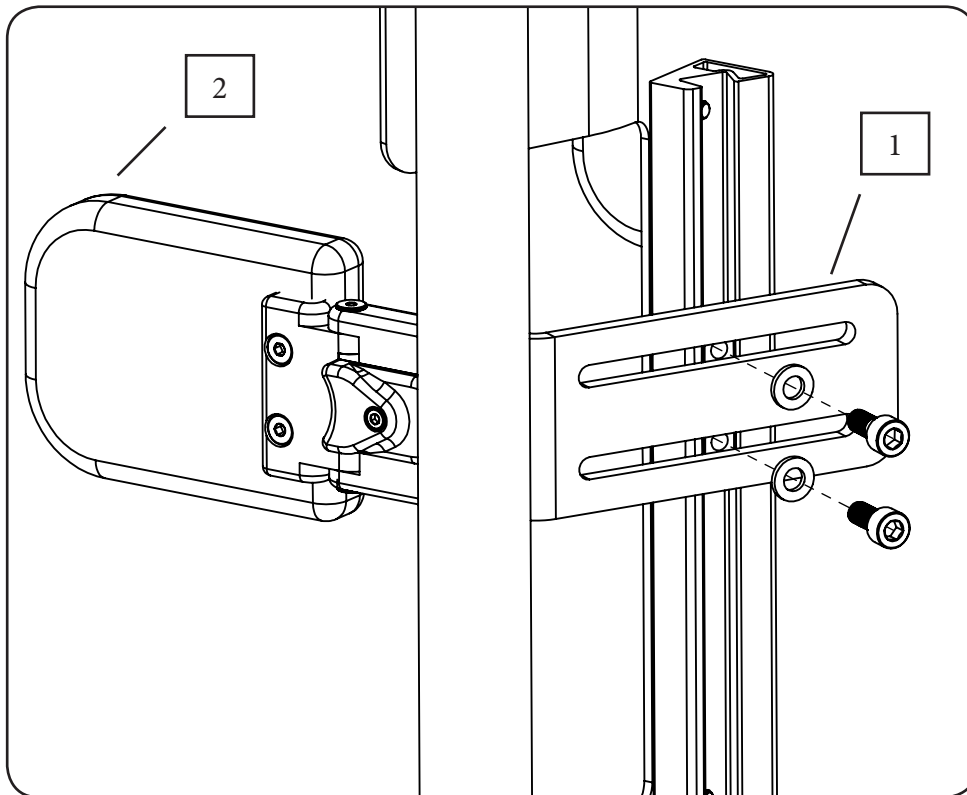
1



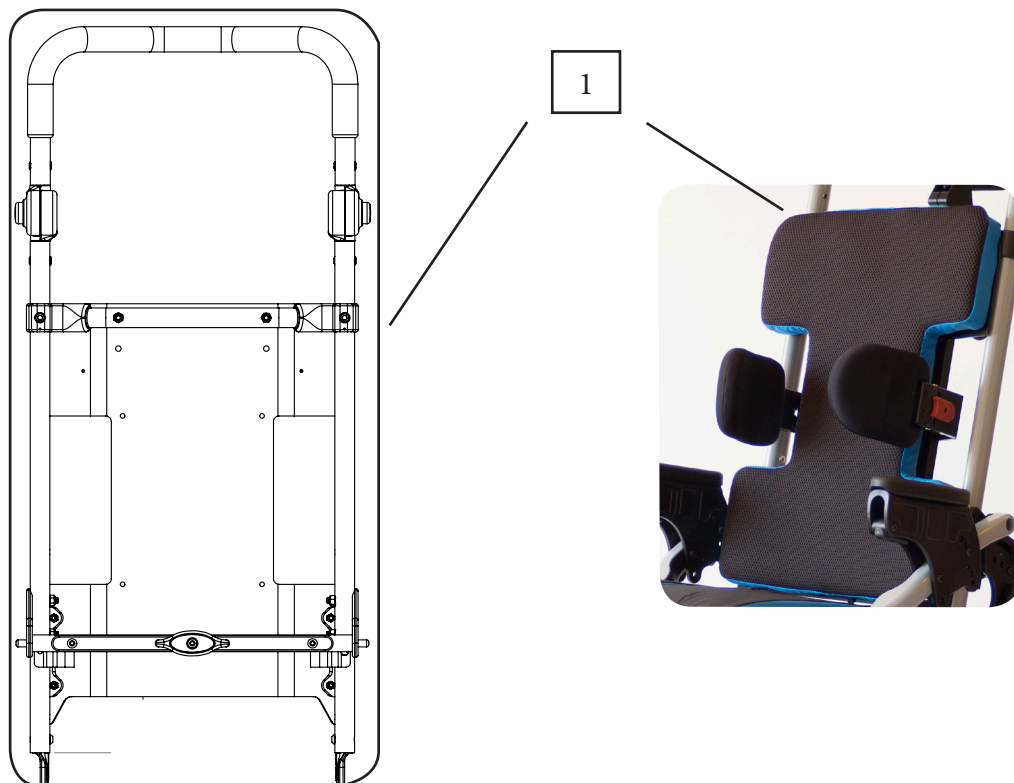
2



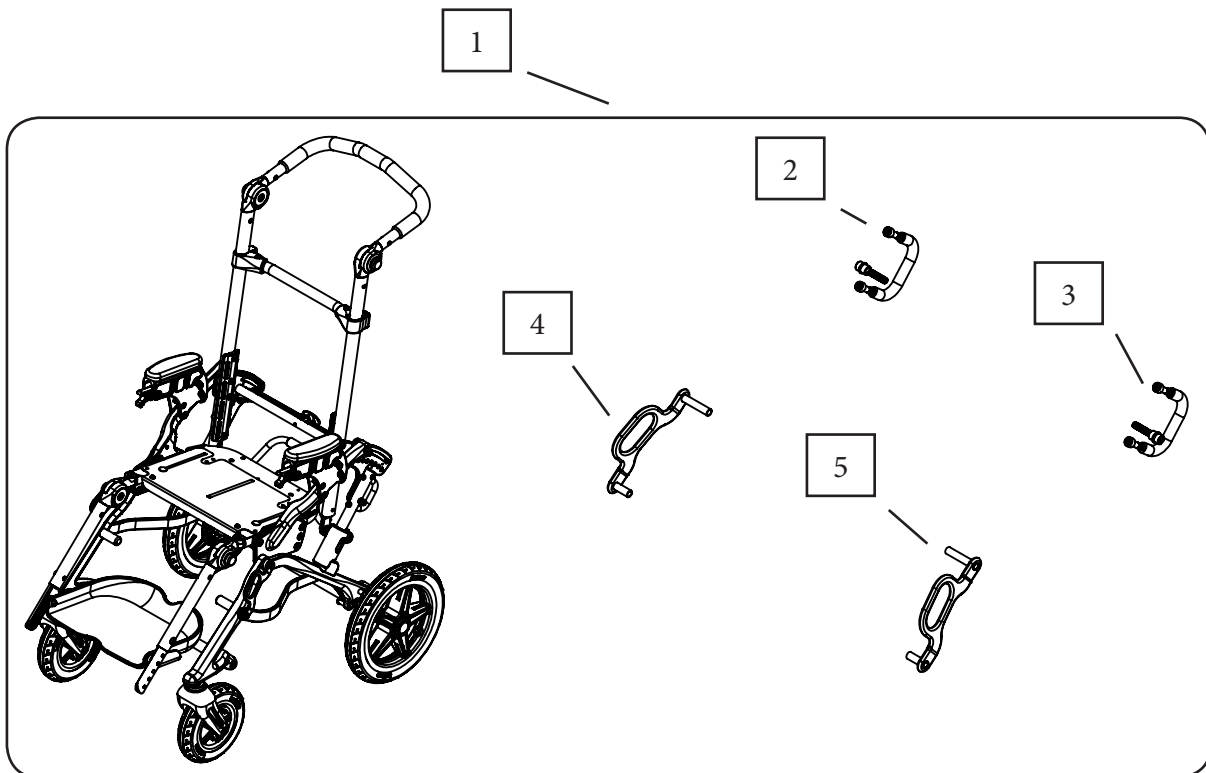
REF #	DESCRIPTION	PART #	QTY
1	Swing Away Lateral HDWR Left ASM	3004-6111	1
1	Swing Away Lateral HDWR Right ASM	3004-6112	1
2	Lateral Pad 3x5", each	3004-6035	1
2	Lateral pad 4x5", each	3004-6045	1
2	Lateral Pad 4x6", each	3004-6046	1



REF #	DESCRIPTION	PART #	QTY
1	REACH RCB 12"W x 12"H (Adj. 12-14")	3004-4212	1
1	REACH RCB 12"W x 14"H (Adj. 14-16")	3004-4214	1
1	REACH RCB 12"W x 16"H (Adj. 16-18")	3004-4216	1
1	REACH RCB 12"W x 18"H (Fixed Height)	3004-4218	1
1	REACH RCB 14"W x 14"H (Adj. 14-16")	3004-4414	1
1	REACH RCB 14"W x 16"H (Adj. 16-18")	3004-4416	1
1	REACH RCB 14"W x 18"H (Adj. 18-20")	3004-4418	1
1	REACH RCB 14"W x 20"H (Adj. 20-21")	3004-4420	1
1	REACH RCB 16"W x 16"H (Adj. 16-18")	3004-4616	1
1	REACH RCB 16"W x 18"H (Adj. 18-20")	3004-4618	1
1	REACH RCB 16"W x 20"H (Adj. 20-22")	3004-4620	1
1	REACH RCB 16"W x 22"H (Adj. 22-24")	3004-4622	1
1	REACH RCB 16"W x 24"H (Fixed Height)	3004-4624	1

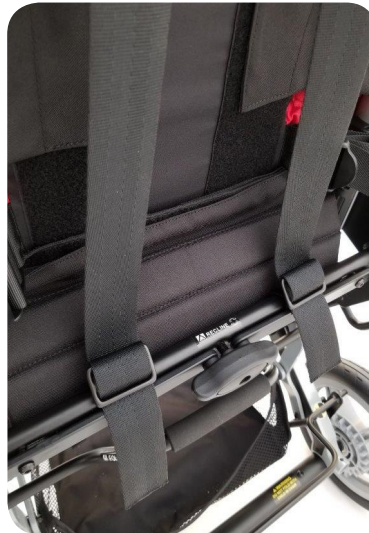


REF #	DESCRIPTION	PART #	QTY
1	REACH Transit Option (RESNA WC-19)	3004-7001	1
2	REACH Securement Point Rear, Right ASM	4020-0083	1
3	REACH Securement Point Rear, Left ASM	4020-0084	1
4	REACH Securement Point Front, Right ASM	4020-0085	1
5	REACH Securement Point Front, Left ASM	4020-0086	1



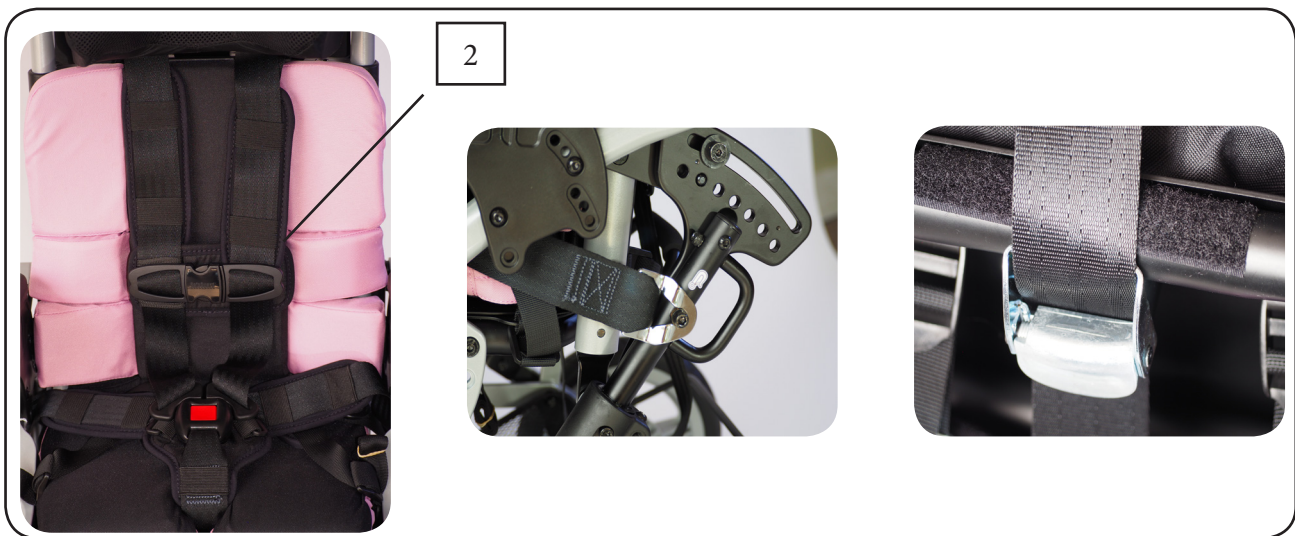
REACH Transit Option (3004-7001) must be installed by the manufacturer.

REF #	DESCRIPTION	PART #	QTY
1	5 Point Positioning Harness, 12	4020-0087	1
1	5 Point Positioning Harness, 14	4020-0088	1
1	5 Point Positioning Harness, 16	4020-0089	1



REF #	DESCRIPTION	PART #	QTY
1	Transit 5 Point Harness for 12/14	3004-7002	1
2	5 Point Harness Pad Set	3002-7022	1

1



REACH Transit 5 Point Harness (3004-7002) must be installed by the manufacturer.

REF #	DESCRIPTION	PART #	QTY
1	Transit Sure-Lok Lap Belt for 12/14	3004-7023	1
1	Transit Sure-Lok Lap Belt for 16	3004-7024	1

