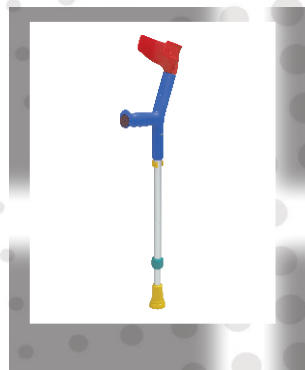




REBOTEC®



Bonn

Shower Chair



Bonn:

- Ergonomic backrest with integrated hand grip
- Swinging armrests enable easy side transfer
- Toilet seat with seat cushion
- Includes removable commode bucket
- Height adjustable, swinging and detachable foot rest
- 4 swiveling castors 5-inch with parking/ direction brake
- Approved up to 130 kg/290 lbs SWL

ref.no.343.54.00

Accessories:

- Armrest cushion
ref.no.440.10.32
- Safety belt
ref.no.322.30.20
- IVpole
ref.no.303.62
- Holder for disposable bags with lid
ref.no.304.05.10
- Disposable bags with lid
ref.no.301.00.20



Type:	Bonn
Depth:	34.25"
Width:	22.04"
Seat depth:	17.71"
Seat height:	20.86"
Seat width:	18.11"
Toilet-height with bucket device:	17.32"
Toilet-height without bucket device:	18.50"
Max. body weight:	130 kg/290 lbs
Ref. no.	343.54.00

Hamburg

Height Adjustable Shower Commode Chair



Hamburg:

- Ergonomic backrest with integrated hand grip
- Swinging armrests enable easy side transfer
- Toilet seat with seat cushion
- Includes removable commode bucket
- Height adjustable, swinging and detachable foot rests
- 4 swiveling castors 5-inch with parking/direction brake
- Approved up to 130 kg/290 lbs SWL

ref.no.356.54.00

Accessories:

- Armrest cushion
ref.no.440.10.32
- Safety belt
ref.no.322.30.20
- IV pole
ref.no.303.62
- Holder for disposable bags with lid
ref.no.304.05.10
- Disposable bags with lid
ref.no.301.00.20

Type:	Hamburg
Depth:	34.25"
Width:	22.04"
Seat depth:	17.71"
Seat height:	21.25"-23.22"
Seat width:	18.11"
Toilet-height with bucket device:	17.71"-19.68"
Toilet-height without bucket device:	18.89"-20.86"
Max. body weight:	130 kg/290 lbs
Ref. no.	356.54.00

Technical changes and changes in colour reserved.



Berlin

Shower Commode Chair with PUR Seat



Berlin:

- Ergonomic backrest with integrated hand grip
- Swinging armrests enable easy side transfer
- Upholstered PUR seat with hygiene opening (available in rear or front)
- Includes removable commode bucket
- Height adjustable, swinging and detachable foot rests
- 4 swiveling castors 5-inch with parking/direction brake
- Approved up to 130 kg/290 lbs SWL

ref.no.344.54.00

Accessories:

- IV pole
ref.no.303.62
- Safety belt
ref.no.322.30.20
- Armrest cushion
ref.no.440.10.32



Type:	Berlin
Depth:	34.25"
Width:	22.04"
Seat depth:	17.71"
Seat height:	21.65"
Seat width:	18.11"
Toilet-height with bucket device:	16.92"
Toilet-height without bucket device:	18.50"
Max. bodyweight:	130 kg/286 lbs
Ref. no.	344.54.00

Technical changes and changes in colour reserved.



Frankfurt

Height Adjustable Shower Commode Chair with PUR Seat



Frankfurt:

- Ergonomic backrest with integrated hand grip
- Swinging armrests enable easy side transfer
- Upholstered PUR seat with hygiene opening (available in rear or in front)
- Includes removable commode bucket
- Height adjustable, swinging and detachable foot rests
- 4 swiveling castors 5-inch with parking/direction brake
- Approved up to 130 kg/290 lbs SWL

ref.no.355.54.00

Accessories:

- IV pole
ref.no.303.62
- Safety belt
ref.no.322.30.20
- Armrest cushion
ref.no.440.10.32

Type:	Frankfurt
Depth:	34.25"
Width:	22.04"
Seat depth:	17.71"
Seat height:	22.04"-24.01"
Seat width:	18.11"
Toilet-height with bucket device:	17.32"-19.29"
Toilet-height without bucket device:	18.89"-20.86"
Max. bodyweight:	130 kg/290 lbs
Ref. no.	355.54.00

Technical changes and changes in colour reserved.



Miami

Self-propelling Shower Commode Chair



Miami:

- Ergonomic shaped backrest with integrated grip
- Swinging armrests enable easy side transfer
- Height adjustable, swinging and detachable foot rests
- 24-inch driving wheels with grip wheel
- Approved up to 150 kg/330 lbs SWL
- Upholstered PUR seat with hygiene opening
- Includes removable commode bucket

ref.no.345.54.10



Type:	Miami
Depth:	37.40"
Width:	30.31"
Seat depth:	17.71"
Seat height:	21.65"
Seat width:	20.47"
Toilet-height with bucket device:	16.92"
Max. body weight:	150 kg/330 lbs
Ref. no.	345.54.00

Dallas

Bariatric Shower Commode Chair



Dallas:

- Aluminium back with PUR backrest
- Swinging armrests enable easy side transfer
- Upholstered PUR seat with hygiene opening
- Includes removable commode bucket
- Height adjustable, swinging and detachable foot rests
- 4 swiveling castors, with parking/direktion brake
- Approved up to 200 kg/440 lbs SWL

ref.no.359.54.00

Accessories:

- Armrest cushion
ref.no.440.10.32
- Safety belt
ref.no.322.30.20

Type:	Dallas
Depth:	35.43"
Width:	29.13"
Seat depth:	18.89"
Seat height:	22.04"
Seat width:	25.19"
Toilet-height with bucket device:	17.32"
Toilet-height without bucket device:	18.50"
Max. body weight:	200 kg/440 lbs
Ref. no.	359.54.00

Technical changes and changes in colour reserved.



Phoenix

Multifunction Reclining Shower Chair



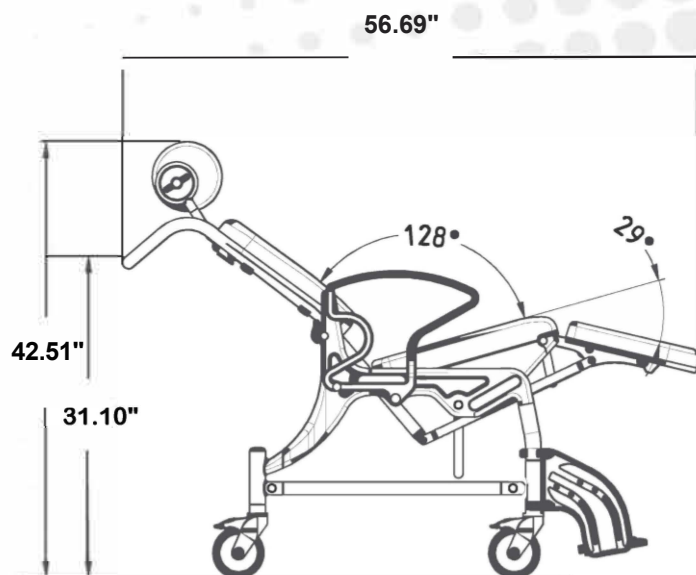
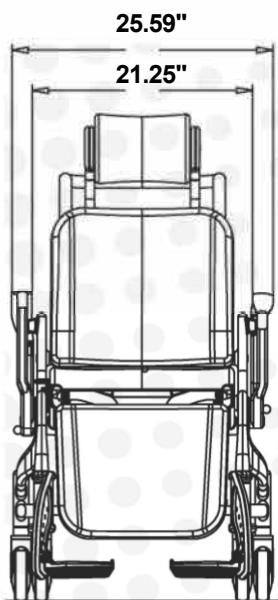
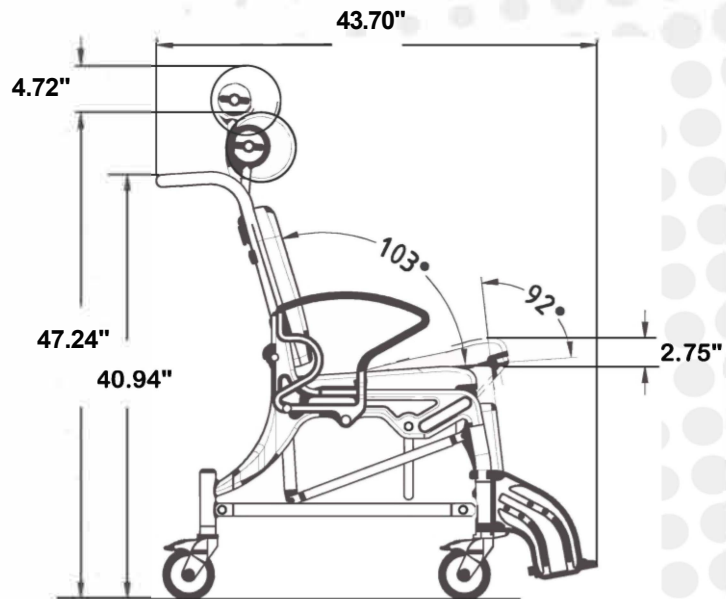
*Easy to Tilt and lock
in any position !*

All dimensions in inches

Phoenix:

- Adjustable headrest
- Tilting adjustment
- Swinging armrest
- 4 braked 5-inch swiveling castors
- Approved up to 150 kg/330 lbs SWL
- Seat with hygiene opening
- Includes removable commode bucket

ref.no.350.54.10



Type:	Phoenix
Depth:	43.70"
Width:	25.59"
Seat depth:	16.92"
Seat height:	22.44"-22.83"
Seat width:	21.25"
Max. body weight:	150 kg/330 lbs
Ref. no.:	350.54.10

Phoenix

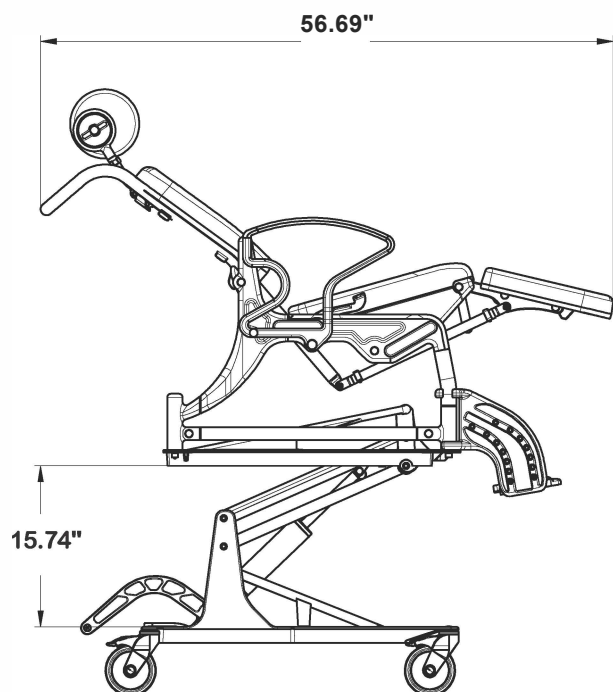
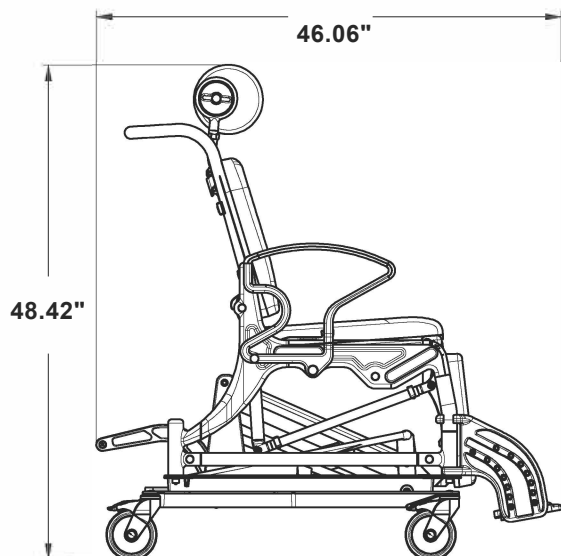
Multifunction Reclining Shower Chair



*Available in Hydraulic or
Electric height
Adjustability!!*



All dimensions in inches:



Phoenix:

- Height adjustable
- Adjustable headrest
- Tilting adjustment
- Swinging armrest
- 4 braked 5-inch swiveling castors
- Approved up to 150 kg/330 lbs SWL
- Includes removable commode bucket

Phoenix with Electrical Height Adjustment

- Seat with hygiene opening
- Includes bucket
- Includes charging station and second battery
- Protection class IPX 5/6

ref.no.352.54.10

Phoenix with Hydraulic Height Adjustment

- Seat with hygiene opening
- Includes bucket and bucket device

ref.no.351.54.10

Type:	Phoenix Electric		Phoenix Hydraulic	
Depth:	44.09"		46.06"	
Width:	26.77"		26.77"	
Seat depth:	16.92"		16.92"	
Seat height:	23.62-39.37"	23.22-38.97"	23.62-39.37"	23.22-38.97"
Seat width:	21.25"		21.25"	
Max. body weight:	150 kg/330 lbs		150 kg/ 330 lbs	
Ref. no.:	352.54.10	352.54.40	351.54.10	351.54.40

Phoenix 200

Multifunction Bariatric Reclining
Shower Chair

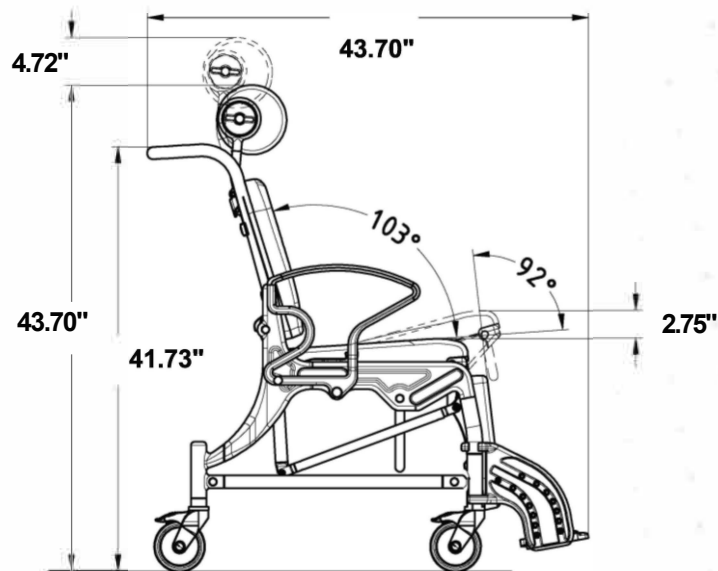


REBOTEC®



Up to 440 lbs!

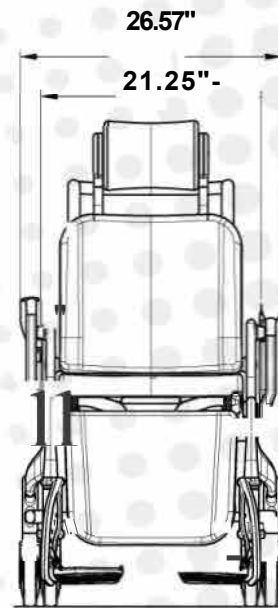
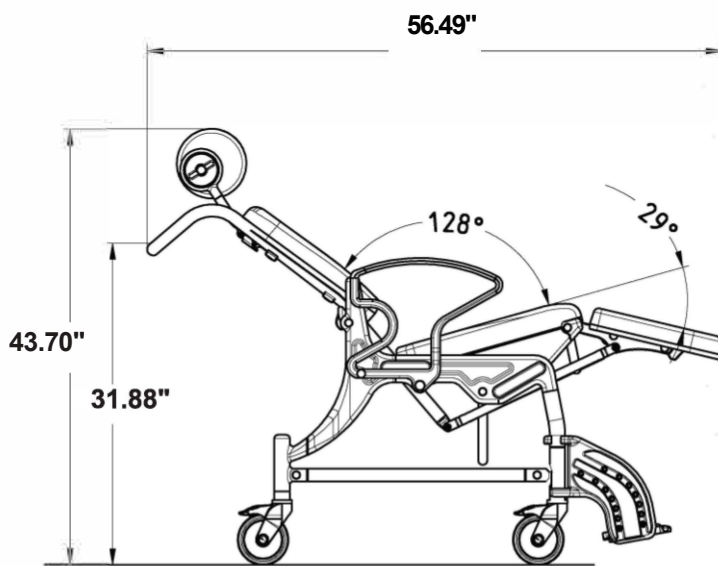
All dimensions in inches:



Phoenix 200:

- Adjustable headrest
- Tilting adjustment
- Swiving armrests
- 4 braked 5 inch swivelling dual castors
- Approved up to 200 kg/440 lbs SWL
- Seat with hygiene opening
- Includes removable commode bucket

ref.no.353.54.12



Type:	Phoenix 200
Depth:	43.70"
Width:	26.57"
Seat depth:	17.32"
Seat height:	22.44"
Seat width:	17.71"
Max. Body weight:	200 kg/440 lbs
Ref. no.	353.54.12

Augsburg

Shower Commode Chair for Children



Augsburg:

- Aluminium back with PUR backrest
- Swinging armrests enable easy side transfer
- Upholstered seat with hygiene opening
- Includes removable commode bucket
- Height adjustable swinging and detachable footrests
- 4 swiveling castors with parking/direction brake
- Approved up to 80 kg/ 176 lbs SWL

ref.no.339.04.97

Accessories:

- Height adjustable headrest
ref.no.444.03.39
- Safety belt
ref.no.322.30.10
- Seat width and depth adjustment
ref.no.444.00.97
- Armrest cushion
ref.no.440.10.32

Up to 176 lbs!



Type:	Augsburg
Depth:	34.25"
Width:	20.86"
Seat depth:	13.77"
Seat height:	21.25"
Seat width:	15.74"
Toilet-height with bucket device:	16.92"
Toilet width:	12.99"
Max. body weight:	80 kg/176 lbs
Ref. no.	339.04.97

Seat Width and Depth Adjustment

for Augsburg Shower Commode Chair



ref. no. 339.04.97
shown with height adjustable
head-rest and seat width
and depth adjustment

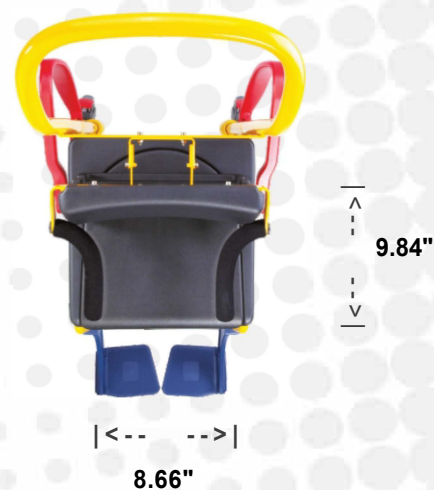
Augsburg:

- Backrest adjustment
- Adjustable armrests
- Safety belt

ref.no.444.00.97

Accessories:

- Height adjustable headrest
ref.no.444.03.39



Type:	Seat Width and Depth Adjustment
Seat width:	8.66"-12.59"
Seat depth:	9.84"-11.41"
Ref. no.	444.03.39

Technical changes and changes in colour reserved.



Fun-Kids

Crutches with open forearm cuff



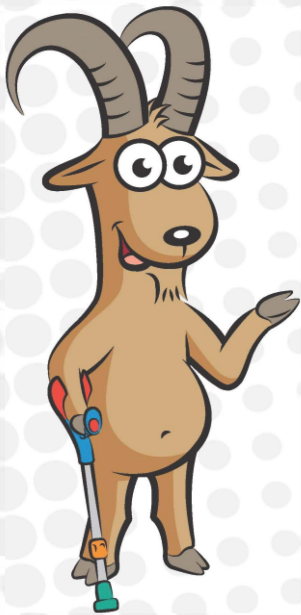
Fun-Kids:

- Colorful, suitable for children
- 3 adjustments in height from handle to cuff
- Ergonomic handle
- Reflector in handle
- 10 adjustments in height
- Compression fitting
- Approved up to 100 kg/220 lbs SWL

ref.no.122.95

Accessories:

- Handle upholstery
- ref.no.160.01.01



Type:	Fun-Kids
Height from handle to cuff:	6.29"-8.26"
Height of handle:	19.68"-28.54"
Diameter in inches:	0.78"/0.66"
Ref.no.	122.95

Safe-In-Kids

Cruches with Forearm Cuff



Safe-In-Kids:

- Forearm cuff with hinge to increase mobility
- 3 adjustments in height from handle to cuff
- Ergonomic handle
- Reflector in handle
- 10 adjustments in height
- Compression fitting
- Solid ferrule with a high diameter
- Approved up to 100 kg/220 lbs SWL

ref.no.122.96.10



Type:	Safe-In-Kids
Height from handle to cuff:	6.29"-8.26"
Height of handle:	19.68"-28.54"
Diameter in inches:	0.78"/0.66"
Ref.no.	122.96.10

Quick`N Easy

Shoulder Crutches for Children



Quick`N Easy:

- Upholstered underarm pad
- Ergonomic handle
- Adjustable aluminium tubes
- Approved up to 130 kg/287 lbs SWL

*Adjustable
without tools!*



Type:	Quick`n Easy
Height from handle to cuff:	8.85"
Height of handle:	32.48"-41.33"
Diameter in inches:	0.86"- 0.74"
Ref.no.:	126.10.10

Walk-on

Walking Frame with 2 Wheels for Children



REBOTEC®



Walk-on:

- Powder coated aluminium frame
- Non Slipping Handles for safer use
- Foldable, height adjustable
- Approved up to 120 kg/265 lbs SWL

ref.no.175. ...

Type:	XS	S	M
Depth:	16.14"	16.14"	18.11"
Width:	22.24"	22.24"	24.60"
Height of handle:	24.40"-27.75"	27.55"-31.69"	26.77"-34.44"
Adjustments in height:	5x	5x	10x
Max. body weight:	120 kg/265 lbs	120 kg/265 lbs	120 kg/265 lbs
Color:	Multicolor	Multicolor	Charcoal
Ref.no.	175.10	175.20	175.30

Technical changes and changes in colour reserved.



Fixi and Fox

Rollator Wheeled Walker for Children



Fixi and Fox:

- Powder coated aluminium frame
- Dual action brake
- Foldable design
- Airless tires
- Approved up to 100 kg/220 lbs SWL

ref.no.186.00 ...

Accessories:

- Seat (black)
ref.no.286.65.25
- Back pad
ref.no.280.10.48



Type:	Fixi	Fox
Depth:	26.77"	26.77"
Width:	23.22"	23.22"
Height of handle:	24.01"-27.16"	27.16"-28.14"
Seat height (optional):	18.11"	18.11"
Seat width (optional):	14.96"	14.96"
Adjustments in height:	5x	5x
Max. body weight:	100 kg/220 lbs	100 kg/220 lbs
Ref. no.:	186.00.10	186.00.20



Pluto

Posterior Reverse Walker for Children



Pluto:

- 2 available sizes
- Width and height adjustable hand grips
- Return motion break
- Steerable front wheels
- Airless tires

ref.no.187.00. ..

- The Pluto reverse walker provides independent movement for children
- It supports the user from behind and promotes upright posture when standing and walking
- Supports therapeutic exercises for natural movement and to increase balance
- The braking system in the back wheels prevents unintentional backwards rolling

Accessories:

- Front-wheels with steerlock
ref.no.287.10.42
- Seat for Pluto - size 1 : up to 60 kg/133 lbs
ref.no.287.20.10



Type:	Size 1	Size 2
Length:	31.49"	33.85"
Width:	25.59"	26.37"
Height of handle:	18.11"-31.88"	21.65"-35.03"
Max. body weight:	60 kg/132 lbs	80 kg/176 lbs
Ref. no.:	187.00.10	187.00.20

Technical changes and changes in colour reserved.

protected
by
patent

CE

Fixi and Fox YANO

Wheeled Forearm Walker for Children



Fixi and FoxYano:

- Comes standard with 3 handle options to accommodate all grip types
- Dual action brake
- Foldable Design
- Airless Tires
- Powder coated aluminium frame
- Approved up to 100 kg/220 lbs SWL

ref.no.186.99...

Accessories:

- One handed brake (specify required hand)
- ref.no.280.99.70



Standard-handle



Ellipse-handle



Spade-handle

Type:	Fixi YANO	FoxYANO
Depth:	26.57"	26.57"
Width:	23.03"	23.03"
Height of forearm support:	35.62"-39.17"	38.97"-42. 71"
Adjustments in height:	5x	5x
Max. body weight:	100 kg/220 lbs	100 kg/220 lbs
Ref.no:	186.99.10	186.99.20

Technical changes and changes in colour reserved.



YANO Walker

Wheeled Forearm Walker



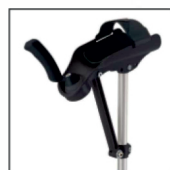
YANO Walker:

- Comes standard with 3 handle options to accommodate all grip types
- Height adjustable
- Powder coated frame
- 4 locking castors
- Approved up to 150 kg/330 lbs SWL

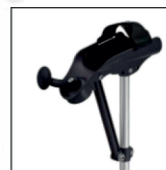
ref.no.188.99.10



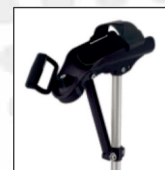
Type:	YANO Walker
Depth:	28.34"
Width:	26.77"
Height of forearm support:	26.77"-45.66"
Adjustments in height:	10x
Max. body weight:	150 kg/330 lbs
Ref. no.:	188.99.10



Standard-handle



Ellipse-handle



Spade-handle

Technical changes and changes in colour reserved.

