

*Please call Tech Support
for Model 574RG Parts*



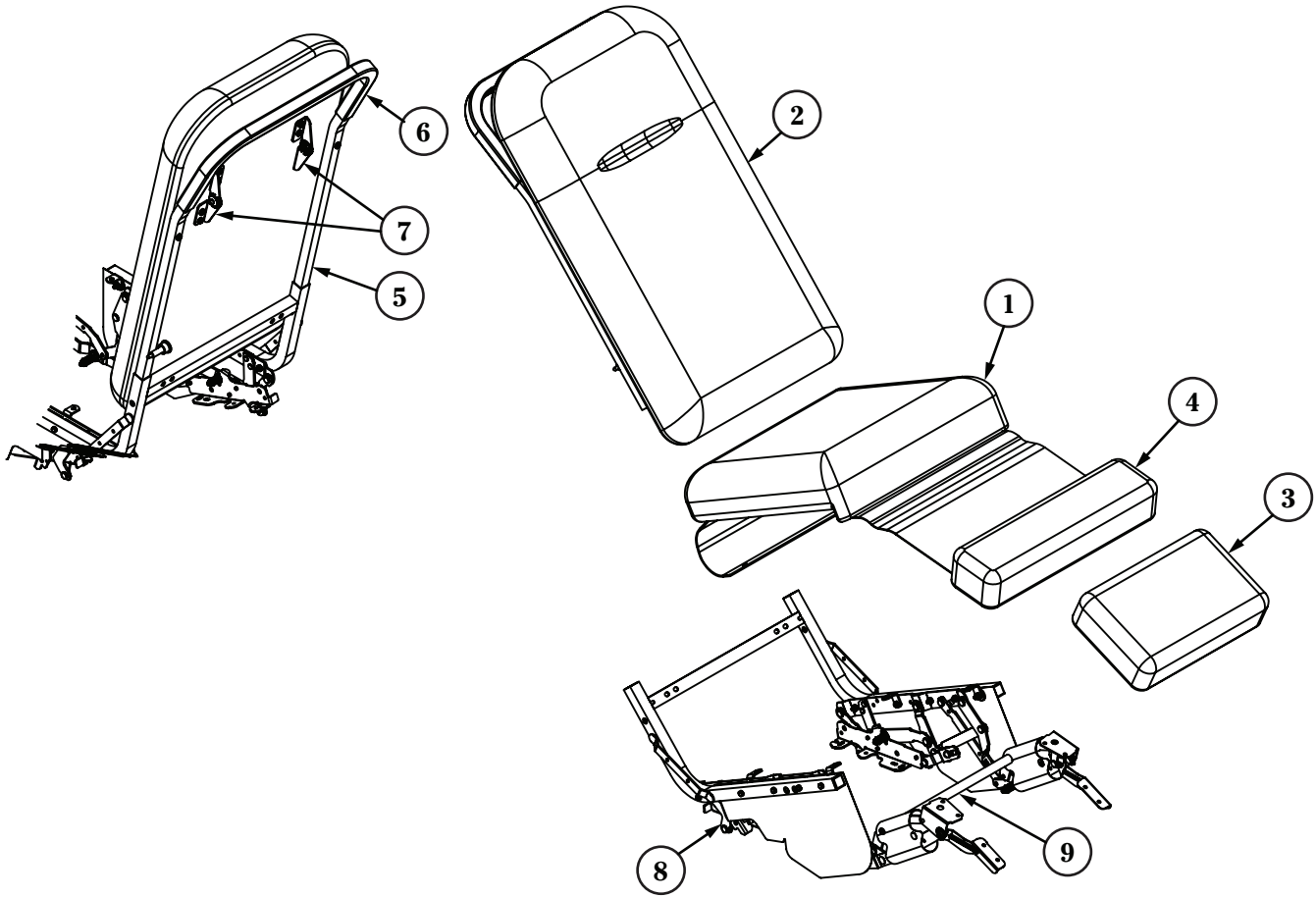
TO ORDER: Tel 800-347-5678 • Fax 800-726-0601 • www.grahamfield.com

Returns: Parts may not be returned without prior authorization from GF Health Products, Inc. Custom parts cannot be returned for credit. Please refer to GF Health Products, Inc. Terms and Conditions for further information.

GF Health Products, Inc. is not responsible for typographical errors. Packaging, warranties, products and specifications are subject to change without notice. Lumex® and Graham-Field® are registered trademarks of GF Health Products, Inc.

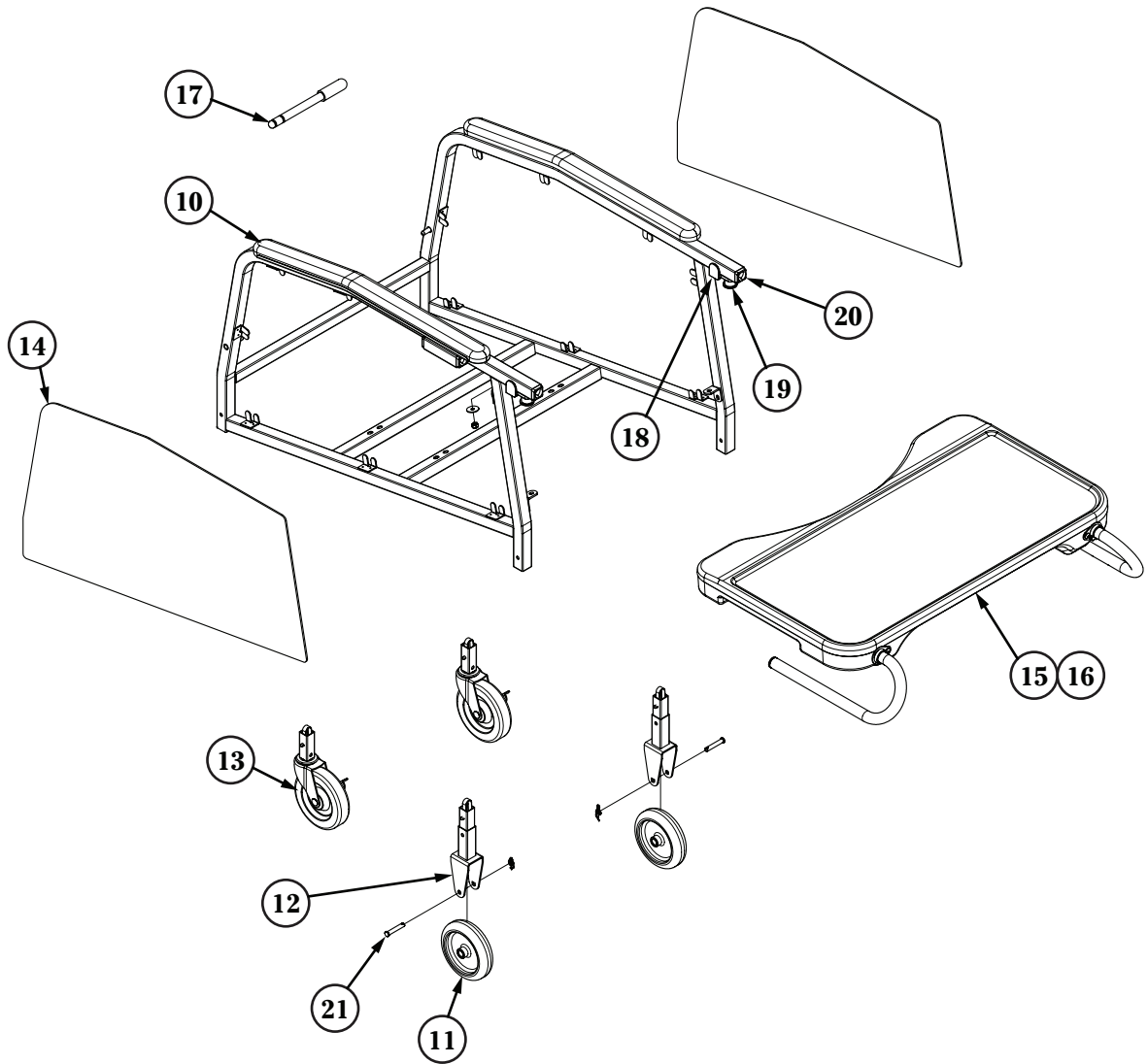


© August 2009, GF Health Products, Inc., All Rights Reserved



	ITEM NUMBER	DESCRIPTION	QTY/UNIT
1A	57401UXXX	Seat Upholstery	1 each
1B	57401UXXXFR	Seat Upholstery (CA-133 Fire Rated)	1 each
2A	57402UXXX	Back Upholstery	1 each
2B	57402UXXXFR	Back Upholstery (CA-133 Fire Rated)	1 each
3A	57403UXXX	Footrest Upholstery	1 each
3B	57403UXXXFR	Footrest Upholstery (CA-133 Fire Rated)	1 each
4A	57404UXXX	Legrest Upholstery	1 each
4B	57404UXXXFR	Legrest Upholstery (CA-133 Fire Rated)	1 each
5	5740A208G	Push Handle with Grip	1 each
6	9205A	Grip, Push Handle	1 each
7	5740A020	Back Hinge with Hardware	1 pair
8	5730F200	Recliner Mechanism	1 each
9	5740A023	Torque Tube Assembly	1 each

574G Recliner: Replacement Parts List



	ITEM NUMBER	DESCRIPTION	QTY/UNIT
10A	57405UXXX	Armrest Upholstery	1 each
10B	57405UXXXFR	Armrest Upholstery (CA-133 Fire Rated)	1 each
11	WW170011	Front Caster Wheel	1 each
12	WY170011	Fixed Front Caster Yoke with Spring Clips	1 each
13	WB170018A	Rear Caster Wheel Assembly with Spring Clips	1 each
14	5740A041FR	Side Panel	1 set
15	5648G	Tray Table Assembly	1 each
16	PP830005G	Tray Table Top Only	1 each
17	6437S100	Long Pull Pin Replacement Kit	1 each
18	PP500012	Table Lock-Out Clip	1 each
19	5740S900	Pull Button Assembly	6/bag
20	PP100099	Reducer Cap	10/bag
21	HP362824	Pin, Front Caster	1 each