

# Rice Lake Mechanical Baby Scale

---

*RL-MIS and RL-MIS-20*

## Operation Instructions



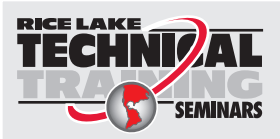
**RICE LAKE**<sup>®</sup>  
WEIGHING SYSTEMS  
To be the best by every measure<sup>®</sup>



# Contents

---

- 1.0 Introduction..... 1**
- 2.0 Installation Instructions..... 2**
  - 2.1 Pillar Installation . . . . . 2
  - 2.2 Steelyard Rod Connection . . . . . 4
- 3.0 Weigh Platter Installation..... 5**
- 4.0 Zero Adjustment..... 6**
- 5.0 Weighing a Baby ..... 6**
- 6.0 Troubleshooting ..... 7**
- 7.0 Specifications ..... 7**



© Rice Lake Weighing Systems. All rights reserved. Specifications subject to change without notice.  
Rice Lake Weighing Systems is an ISO 9001 registered company  
July 2013



# 1.0 Introduction

The Rice Lake Mechanical Baby Scale provides precise weighing of babies and toddlers. The scale comes in two configurations. Those configurations include:

- RL-MIS (Lb-oz & Kg) with measuring tape in inches and centimeters
- RL-MIS-20 (Kg only) with measuring tape in centimeters

The scale is durable, having a sturdy enameled steel body and a wipe down, molded plastic weighing tray with measuring ruler. These installation and operating instructions will guide the user through basic instructions on pillar assembly, plastic weighing tray installation, and the zero adjustment of the scale.

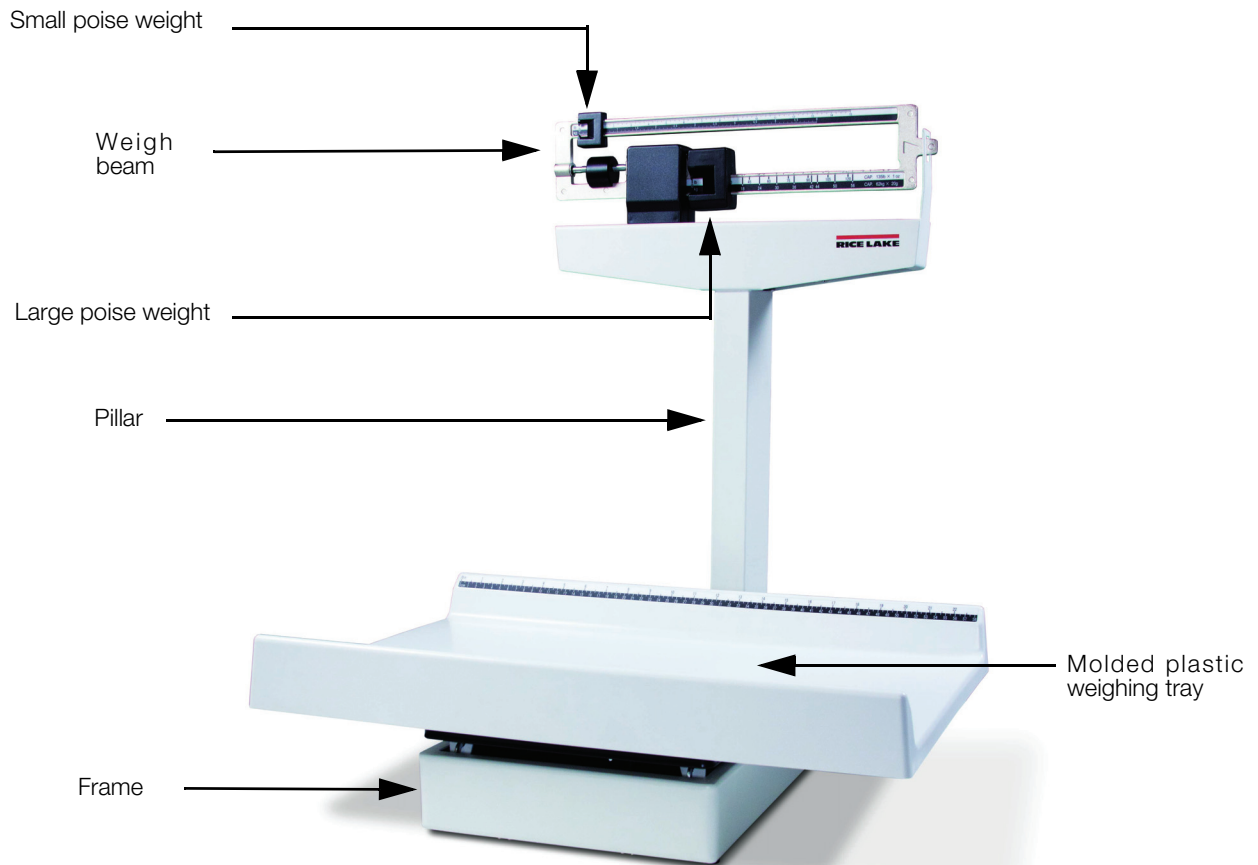


Figure 1-1. Rice Lake Mechanical Baby Scale Parts Breakdown



## 2.0 Installation Instructions

You will receive your Rice Lake Mechanical Baby Scale partially assembled. Those items that need additional assembly are:

- Pillar assembly
- Steelyard rod connection
- Molded plastic weighing tray assembly

Remove all components from the shipping box and lay out in a convenient place.

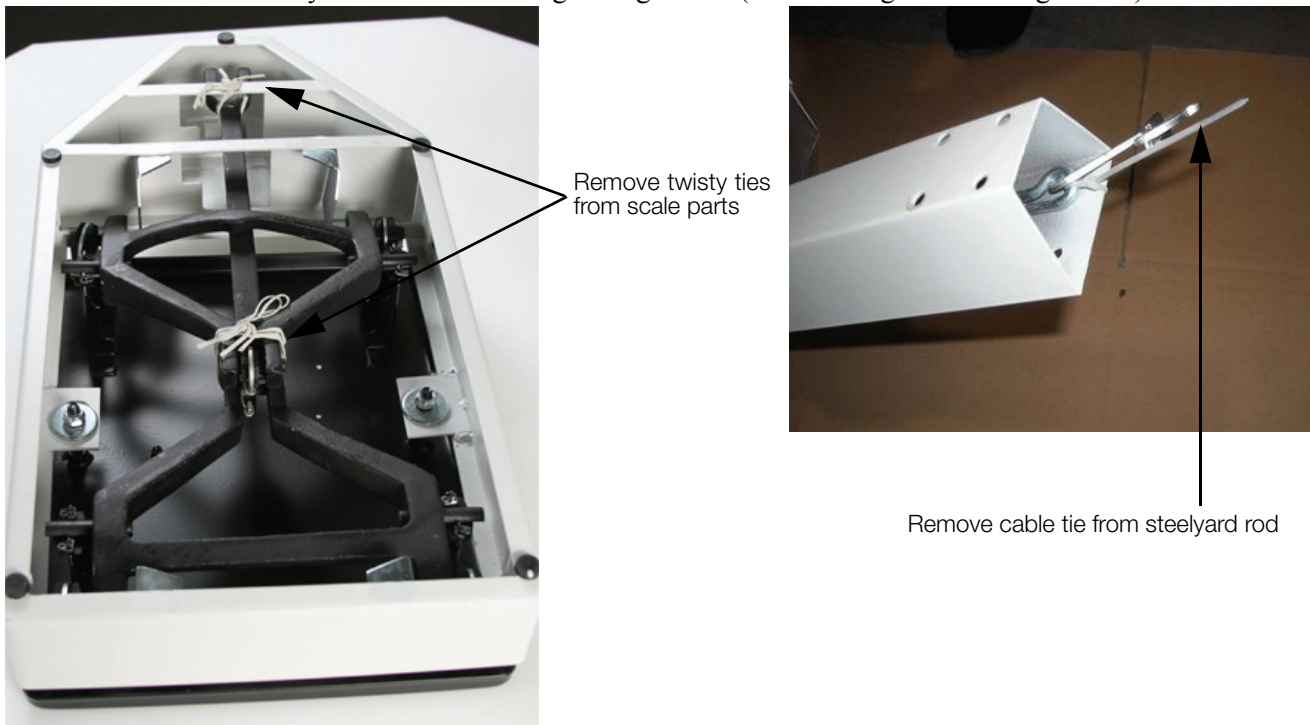
### 2.1 Pillar Installation

Prior to assembly, you'll need the following tools to finish assembling the Rice Lake Mechanical Baby Scale.

- Phillips head screwdriver
- Multi-purpose tool (included)

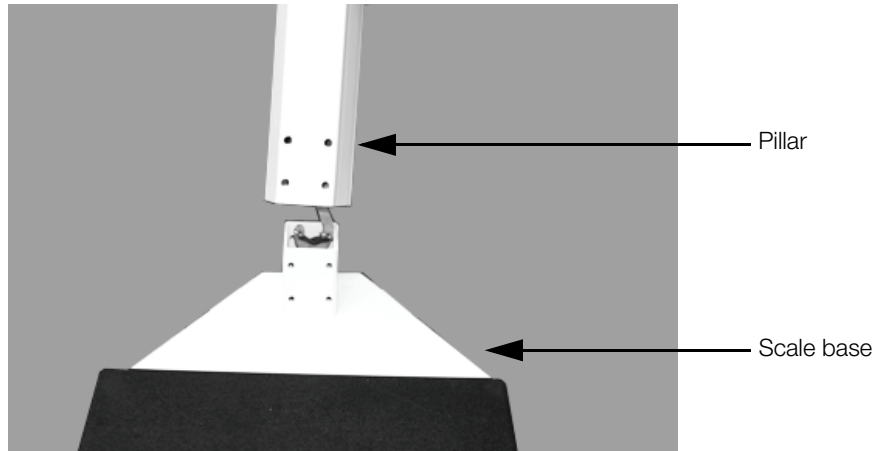
The pillar comes separate from the scale base and must be attached prior to use. Use the following steps to attach the pillar to the scale base.

1. Set the scale base on a table or other convenient place with the bottom facing upwards (shown in left side photo in Figure 2-1).
2. Remove twisty tie off of the scale base as shown on the left hand side of Figure 2-1. Remove the cable tie that holds the steelyard rod from shifting during transit (shown in right side of Figure 2-1).



*Figure 2-1. Remove Cable Ties*

3. Insert the pillar into the scale base assembly ensuring that the RLWS logo located on the weigh beam faces the scale base.



*Figure 2-2. Attach the Pillar to the Scale Base*

4. Using a phillips head screwdriver, screw in the eight bolts and washers to secure the pillar to scale base.



*Figure 2-3. Attach Eight Bolts and Washers to Secure the Pillar to the Scale Base*

## 2.2 Steelyard Rod Connection

The steelyard rod is located inside the scale pillar. Once the pillar is attached to the scale base, the steelyard rod must be attached to the bottom of the scale.

1. Lay the scale pillar on a table so that the scale platform hangs over the edge of the table and allows you to access the bottom of the scale.
2. Insert the hook part of the multi-purpose tool (included and shown below) to the small hole in bottom of the steelyard rod, and pull the hook of the steelyard rod with the hook of the multi-purpose tool to connect it to the scale base lever as shown in Figure 2-4 then push the scale base lever towards the pillar head, and hook the bearing of the steelyard rod on the pivot of the long lever.



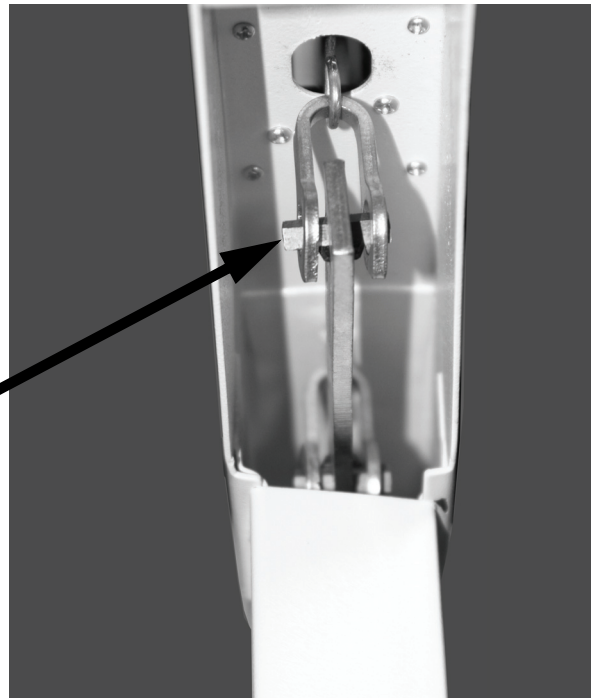
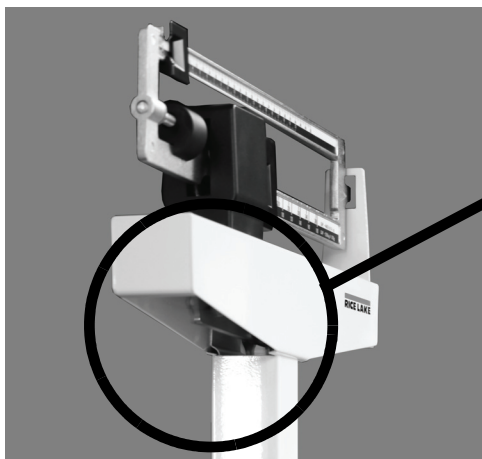
Multi-purpose tool



Figure 2-4. Connecting the Steelyard Rod to the Scale Base



**Note** Visually ensure that the force lever assembly linkage (shown in Figure 2-5) is centered and properly aligned. Occasionally during shipping, the alignment will become skewed. The linkage must be free floating in order for the scale to weigh properly. The linkage can be seen by looking up underneath the top weigh beam if the scale is slightly tipped to one side.



Force lever assembly linkage must be properly aligned in order to weigh

Figure 2-5. View Looking up at Linkage up Underneath the Top Weigh Beam

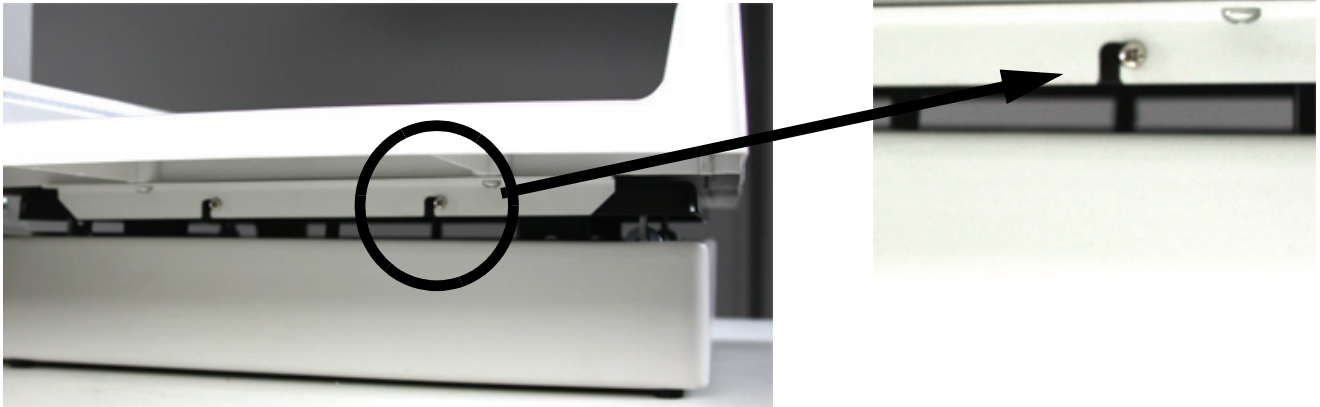
3. Place the scale upright gently back on the table.



## 3.0 Weigh Platter Installation

The weighing platter comes separate from the scale base and must be attached for proper operation. To attach the weigh platter to the scale base, use the following instructions.

1. Position the weigh platter on top of the scale platform with the inch/cm marks located next to the pillar as shown in Figure 3-2.
2. Line up the screw holes as shown in Figure 3-1.



*Figure 3-1. Weigh Platter Screw Hole Location*

3. Using a Phillips head screwdriver, tighten up the four screws to secure it to the scale platform.



*Figure 3-2. Weigh Platter Attached to the Scale Base*

## 4.0 Zero Adjustment

To ensure accurate weighments, a zero adjustment should be done to the scale upon arrival and setup. To perform a zero adjustment, perform the following steps.

1. Ensure the scale is sitting upright on a level surface.
2. Make sure that the poise weights are pushed all the way to the left hand side (at zero) making sure that the large poise is firmly seated in the notch and the small poise is firmly against the shoulder of the beam.
3. Check the eye loop area of the scale to ensure that the scale pointer is centered.

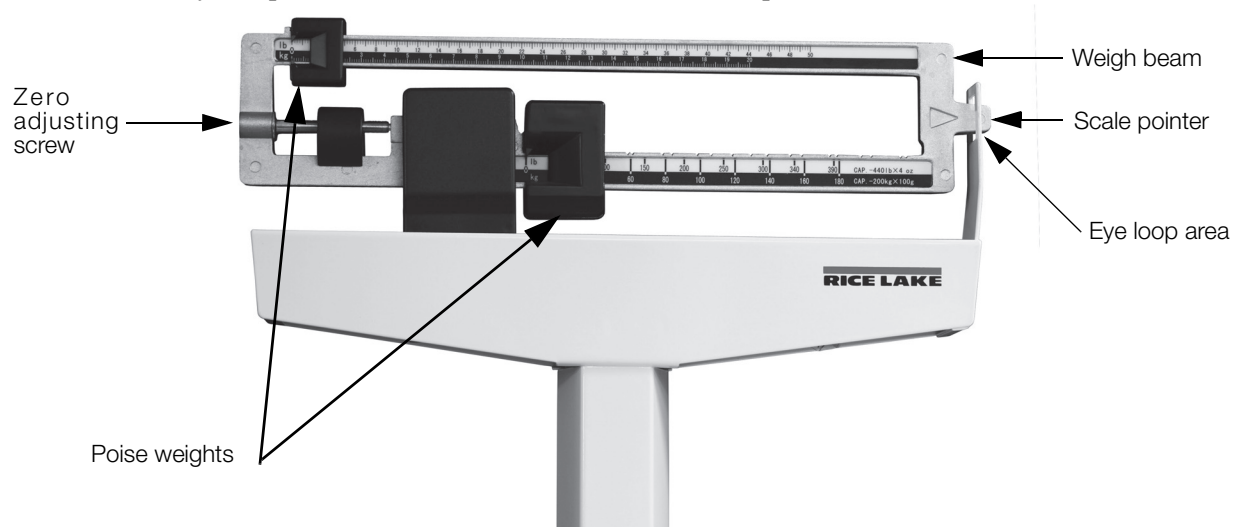


Figure 4-1. Eye Loop Area and Zero Adjusting Screw Location (Lb and kg version shown)

4. If the scale is not balancing properly, then the small zero balance weight must be adjusted. Turn the zero adjusting screw (shown in Figure 4-2) using the enclosed multi-purpose tool. Depending on the direction the zero balance weight will move accordingly.



Figure 4-2. Zero Adjusting Screw Location

## 5.0 Weighing a Baby

To weigh a baby, place the baby on the weigh platter and slide the larger poise (on bottom) to the approximate target weight. Next move the smaller poise on top until the weigh beam balances and the scale pointer is centered within the eye loop area as shown in Figure 4-1.

## 6.0 Troubleshooting

For the most accurate weight, always use the scale on a hard, level surface and weigh in the center of the platform with the weight distributed as evenly as possible. If an error occurs or seems excessive, check the following:

Problem	Possible Fix
Zero balance of beam	The weigh beam must be balanced so the pointer comes to a rest in the center of the eye loop (shown in Figure 4-1) when both poise weights are set at zero (see Figure 4-1 for poise weight location). Adjust the balance by turning the zero adjusting screw at the left end of the weigh beam (see Figure 4-2).
Beam does not move freely	Check if the beam pointer is touching the side of the eye loop in its range of travel. Visually ensure that the linkage is centered and properly aligned (see Figure 2-6). Occasionally during shipping, the alignment will become skewed. The linkage must be free floating in order for the scale to weigh properly. The linkage can be seen by looking up underneath the top weigh beam if the scale is slightly tipped to one side.
Platform rocks excessively	When you push down on any corner of the platform, you should not feel any significant rocking. Ensure scale is setting on a level surface.
Beam does not move at all during a weighment	This can be caused by the poise weights being set to a higher weight than the person's actual weight. Reset the weights to a lower weight. Also check to see that the steelyard rod is properly connected and aligned.

*Table 6-1. Troubleshooting Guide*

## 7.0 Specifications

	RL-MIS	RL-MIS-20
Maximum Capacity	135 Lb (62 Kg)	70 Kg
Graduation	1.0 Oz (20 G)	20 G
Measuring Tape Length	23 in/58 cm	58 cm

*Table 7-1. Model Specifications*



# Mechanical Baby Scale Limited Warranty

---

Rice Lake Weighing Systems warrants that all RLWS equipment and systems properly installed by a Distributor or Original Equipment Manufacturer (OEM) will operate per written specifications as confirmed by the Distributor/OEM and accepted by RLWS. All systems and components are warranted against defects in materials and workmanship for two (2) years.

RLWS warrants that the equipment sold hereunder will conform to the current written specifications authorized by RLWS. RLWS warrants the equipment against faulty workmanship and defective materials. If any equipment fails to conform to these warranties, RLWS will, at its option, repair or replace such goods returned within the warranty period subject to the following conditions:

- Upon discovery by Buyer of such nonconformity, RLWS will be given prompt written notice with a detailed explanation of the alleged deficiencies.
- Examination of such equipment by RLWS confirms that the nonconformity actually exists, and was not RLWS shall be the sole judge of all alleged non-conformities.
- Such equipment has not been modified, altered, or changed by any person other than RLWS or its duly authorized repair agents.
- RLWS will have a reasonable time to repair or replace the defective equipment. Buyer is responsible for shipping charges both ways.
- In no event will RLWS be responsible for travel time or on-location repairs, including assembly or disassembly of equipment, nor will RLWS be liable for the cost of any repairs made by others.

**THESE WARRANTIES EXCLUDE ALL OTHER WARRANTIES, EXPRESSED OR IMPLIED, INCLUDING WITHOUT LIMITATION WARRANTIES OF MERCHANTABILITY OR FITNESS FOR A PARTICULAR PURPOSE. NEITHER RLWS NOR DISTRIBUTOR WILL, IN ANY EVENT, BE LIABLE FOR INCIDENTAL OR CONSEQUENTIAL DAMAGES.**

**RLWS AND BUYER AGREE THAT RLWS'S SOLE AND EXCLUSIVE LIABILITY HEREUNDER IS LIMITED TO REPAIR OR REPLACEMENT OF SUCH GOODS. IN ACCEPTING THIS WARRANTY, THE BUYER WAIVES ANY AND ALL OTHER CLAIMS TO WARRANTY.**

**SHOULD THE SELLER BE OTHER THAN RLWS, THE BUYER AGREES TO LOOK ONLY TO THE SELLER FOR WARRANTY CLAIMS.**

**NO TERMS, CONDITIONS, UNDERSTANDING, OR AGREEMENTS PURPORTING TO MODIFY THE TERMS OF THIS WARRANTY SHALL HAVE ANY LEGAL EFFECT UNLESS MADE IN WRITING AND SIGNED BY A CORPORATE OFFICER OF RLWS AND THE BUYER.**







© 2012 Rice Lake Weighing Systems

PN 132019- Rev A 07/2013