

RL-MPS-40

Mechanical Physician Scale

HEALTH SCALES



Model RL-MPS-40



Standard Features

- Dual-read capacity and height rod
- Sturdy enameled steel body
- Painted beam designed to hold counterpoise weights
- Rugged scale understructure
- Removable slip-resistant plastic base cover
- Retractable aluminum height rod
- Easy operation with two sliding weights and two counterpoise weights
- Rear wheels for portability ease
- Aluminum height rod measures from 24 to 84 in (60 to 212 cm)

Specifications

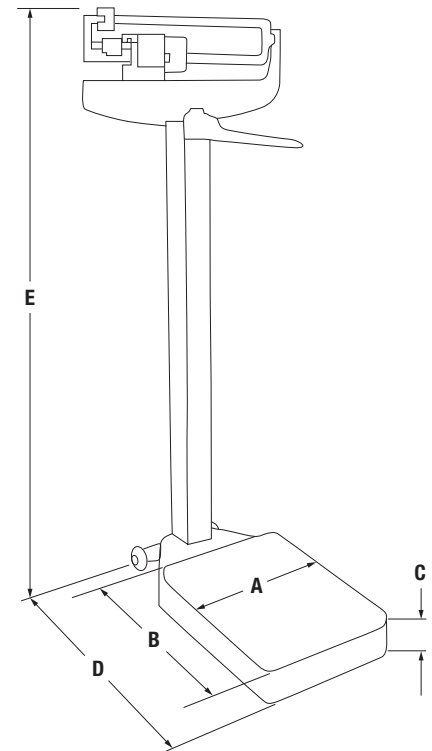
Capacity with Counterpoise Weights:
490 lb × 4 oz (220 kg × 100 g)

Platform Dimensions:
(L × W × H)
14.75 × 10.75 × 4.13 in

Height Rod:
24 to 84 in (60 to 212 cm)

Height Division:
0.125 in (0.1 cm)

Warranty:
Two-year limited



Part Number/Price

Part #	Model #	Capacity	Price
185289	RL-MPS-40	490 lb × 4 oz (220 kg × 100 g)	Consult

Shipping Weight

Part #	Model #	L × W × H	Package Wgt. (lb)	Dim Wgt. (lb)	Shipping Wgt. (lb)
185289	RL-MPS-40	60 × 21 × 7 in	44	64	64

Dimensions

	Inches	Centimeters
A	10.8	27.4
B	14.8	37.6
C	4.1	10.4
D	22.3	56.6
E	58.5	148.6