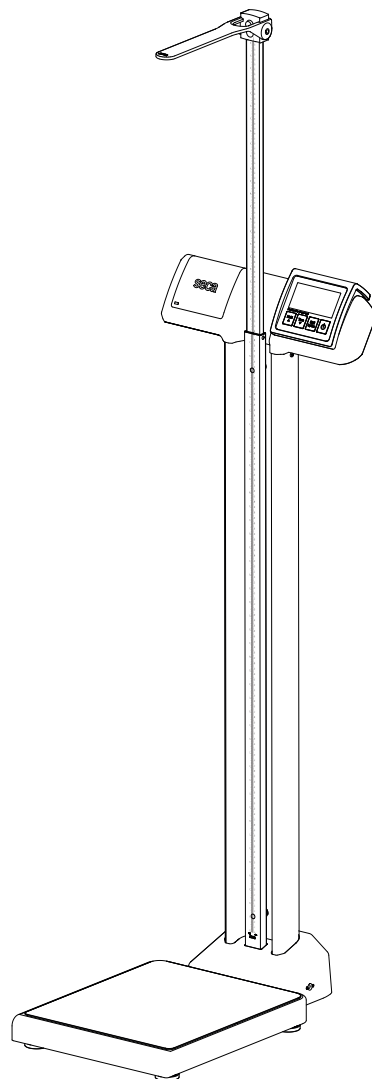


seca 777

17-10-07-651-100b_06-2020S



US	Instructions for use and warranty	3
FR	Mode d'emploi et garantie	32
ES	Instrucciones de uso y garantía	61

CONTENTS

1. Description of device	4		
1.1 Intended use	4		
1.2 Description of function	4		
Measuring station	4		
USB interface	4		
1.3 User qualification	4		
Assembly	4		
Operation	4		
2. Safety information	4		
2.1 Safety precautions in these instructions for use	4		
2.2 Basic safety precautions	5		
Handling the device	5		
Preventing electric shock	6		
Preventing injuries and infections	6		
Preventing damage to device	7		
Handling measuring results	7		
Handling packaging material	8		
Handling batteries and rechargeable batteries	8		
3. Overview	9		
3.1 View of device	9		
3.2 Display unit controls	10		
3.3 Symbols in the display	11		
3.4 Markings on the device and on the type plate	11		
3.5 Markings on the packaging	12		
4. Starting up device	13		
4.1 Scope of delivery	13		
4.2 Assembling the device	13		
Tools required	14		
Fitting the measuring rod	14		
Fitting the column	15		
Fitting the display head	16		
Switching the positions of the display unit and the battery compartment	17		
4.3 Disinfecting the device	19		
4.4 Transporting and setting up the device	19		
Transporting the device	19		
Setting up the device	19		
4.5 Establishing the power supply	20		
Inserting batteries	20		
Connecting the plug-in power supply unit (optional)	20		
5. Operation	21		
5.1 Switching the device on and off	21		
Switching on the device	21		
Switching off the device	21		
5.2 Switching units of measurement (variant-dependent)	21		
5.3 Measuring weight	22		
Weighing	22		
Taring off additional weight (Tare)	22		
Displaying weight permanently (Hold)	23		
5.4 Measuring height	23		
Measuring heights < 1.22 m	23		
Measuring heights > 1.22 m	24		
5.5 Calculating and displaying body mass index (BMI)	25		
6. Hygiene treatment	26		
6.1 Cleaning	26		
6.2 Disinfecting	26		
6.3 Sterilizing	26		
7. Function check	27		
8. Troubleshooting	28		
9. Servicing	28		
10. Technical data	29		
10.1 General technical data	29		
10.2 Weighing data	29		
11. Optional accessories and spare parts	30		
12. Disposal	30		
12.1 Device	30		
12.2 Batteries and rechargeable batteries	30		
13. Warranty	30		
14. Declarations of conformity	31		
14.1 For Europe	31		
14.2 For USA and Canada	31		

1. DESCRIPTION OF DEVICE

1.1 Intended use

The **seca 777** measuring station is used in accordance with national regulations primarily in hospitals, medical practices and in-patient care facilities.

The **seca 777** measuring station is for conventional determination of weight and height and for determining the general state of nutrition; it supports the attending physician in making a diagnosis or deciding on a course of treatment.

To make an accurate diagnosis, however, the physician needs to commission other specific examinations and take their results into account, in addition to determining weight and height.

1.2 Description of function

Measuring station On the **seca 777** measuring station, weight is recorded by four load cells. Height is recorded with the integrated measuring rod.
Body mass index (BMI) can be calculated automatically from the measuring results.

USB interface The USB interface allows the **seca 777** measuring station to be connected to a PC by means of a suitable USB cable (USB 2.0, mini USB type B, max. cable length: 1.80 m). This makes it possible to process the weight values displayed using the customer's own software solution.

1.3 User qualification

Assembly Devices that are shipped partially assembled may only be mounted by sufficiently qualified persons such as specialist dealers, hospital technicians or seca Service technicians.

Operation The device may only be operated by healthcare professionals.

2. SAFETY INFORMATION

2.1 Safety precautions in these instructions for use



DANGER!

Used to identify an extremely hazardous situation. If you fail to take note of this information, serious irreversible or fatal injuries will occur.



WARNING!

Used to identify an extremely hazardous situation. If you fail to take note of this information, serious irreversible or fatal injuries may result.



CAUTION!

Used to identify a hazardous situation. If you fail to take note of this information, minor to moderate injuries may result.

NOTICE!

Used to identify possible incorrect usage of the device. If you fail to take note of this information, you may damage the device, or the measured results may be incorrect.

NOTE

Includes additional information about use of the device.

2.2 Basic safety precautions

Handling the device

- ▶ Please take note of the information in these instructions for use.
- ▶ Keep the instructions for use in a safe place. The instructions for use are a component of the device and must be available at all times.
- ▶ In the interest of patient safety, you and your patients are obliged to report serious events that occur in connection with this product to the manufacturer and the authority responsible in your country.

**DANGER!****Risk of explosion**

Do not use the device in an environment in which one of the following gases has accumulated:

- Oxygen
- Flammable anesthetics
- Other flammable substances/air mixtures

**CAUTION!****Patient hazard, damage to device**

- ▶ Additional devices which are connected to electrical medical devices must provide evidence of compliance with the relevant IEC or ISO standards (e.g. IEC 60950 for data-processing devices). Furthermore, all configurations must comply with the requirements of standards for medical systems (see IEC 60601-1-1 or Section 16 of edition 3.1 of IEC 60601-1 respectively). Anyone connecting additional devices to electrical medical devices is considered a system configurer and is therefore responsible for ensuring that the system complies with the requirements of standards for systems. This also applies to additional devices recommended by seca. Your attention is drawn to the fact that local laws take precedence over the above-mentioned requirements of standards. In the event of any queries, please contact your local specialist dealer or Technical Service.
- ▶ Have servicing carried out regularly as described in the relevant section of this document.
- ▶ Technical modifications may not be made to the device. The device does not contain any parts for servicing by the user. Only have servicing and repairs performed by an authorized seca Service partner. You can find service partners in your area at www.seca.com or by sending an e-mail to service@seca.com.
- ▶ Only use original seca accessories and spare parts, otherwise seca will not grant any warranty.

**CAUTION!****Patient hazard, malfunction**

- ▶ Keep other electrical medical devices, e.g. high-frequency surgical devices, a minimum distance of approx. 1 meter away to prevent incorrect measurements or wireless transmission interference.
- ▶ Keep HF devices such as cell phones a minimum distance of approx. 1 meter away to prevent incorrect measurements or wireless transmission interference.
- ▶ The actual transmission output of HF equipment may require minimum distances of more than 1 meter. Details can be found at www.seca.com.

Preventing electric shock**WARNING!****Electric shock**

- ▶ Set up the device so that the power supply socket is easy to reach and the device can be disconnected from the power supply quickly.
- ▶ Ensure that your local power supply matches the information on the power supply unit.
- ▶ Do not touch the power supply unit with wet hands.
- ▶ Do not use extension cables or power strips.
- ▶ Make sure that cables are not pinched or damaged by sharp edges.
- ▶ Make sure that cables do not come into contact with hot objects.
- ▶ Do not operate the device at an altitude of more than 3000 m above sea level.

Preventing injuries and infections**WARNING!****Injury from device falling over**

Devices with handrails may fall over if the patient reaches for the handrail when stepping onto the device or during the measurement.

- ▶ Only set up devices equipped with a handrail in such a way that the rear of the device is 5 to 10 cm away from the wall (do not place the device right against the wall).

**WARNING!****Injury from falls**

- ▶ Ensure that the device is positioned firmly and level.
- ▶ Route connecting cables (if present) in such a way that neither user nor patient can trip over them.
- ▶ The device is not intended for supporting patients when standing up e.g. from a wheelchair. Assist people with limited motor skills when they are getting up, e.g. from a wheelchair.
- ▶ Make sure that the patient does not step onto and off the weighing platform right at the edges.
- ▶ Make sure that the patient steps onto and off the weighing platform slowly and safely.

**WARNING!****Danger of slipping**

- ▶ Ensure that the weighing platform is dry before the patient steps onto it.
- ▶ Ensure that the patients feet are dry before he or she steps onto the weighing platform.
- ▶ Make sure that the patient steps onto and off the weighing platform slowly and safely.

**WARNING!**
Risk of infection

- ▶ Before and after every measurement, wash your hands to reduce the risk of cross-contamination and nosocomial infections.
- ▶ Hygienically reprocess the device regularly as described in the respective section in this document.
- ▶ Make sure that the patient has no infectious diseases.
- ▶ Make sure that the patient has no open wounds or infectious skin alterations, which may come into contact with the device.

Preventing damage to device**NOTICE!****Damage to device**

- ▶ Ensure that no liquids enter the device. They can damage the electronics.
- ▶ Switch off the device before disconnecting the power supply unit from the mains socket.
- ▶ For devices with power supply operation: Disconnect the power supply unit from the mains socket if you intend to not use the device for a longer period of time. Only this way it can be ensured that the device is de-energized.
- ▶ For devices with battery or rechargeable battery operation: If you do not use the device for an extended period of time, remove batteries or rechargeable batteries. Only this way it can be ensured that the device is de-energized.
- ▶ Make sure not to drop the device.
- ▶ Do not expose the device to any impacts or vibrations.
- ▶ Perform function controls regularly as described in the relevant section in this document. Do not operate the device if it is damaged or not working properly.
- ▶ Ensure that there is no heat source in the immediate vicinity. Do not expose to direct sunlight. The excessive temperature could damage the electronics.
- ▶ Avoid rapid temperature fluctuations. When the device is transported so that a temperature difference of more than 20 °C occurs, it must stay turned off for at least 2 hours before it can be turned on again. Otherwise, condensation water will form which can damage the electronics.
- ▶ Use the device only in the intended ambient conditions.
- ▶ Store the device only in the intended storage conditions.
- ▶ Do not use aggressive or abrasive cleaning agents.
- ▶ Do not use organic solvents (e.g. white spirit or petroleum spirit).

Handling measuring results**CAUTION!**
Patient hazard

In order to avoid misinterpretations, measuring results for medical use must be displayed and used in SI units (weight: kilogrammes/grammes, length: metres/centimetres) only. Some devices offer the ability to display measuring results in other units. This is only an additional function.

- ▶ Use the results exclusively in SI units.
- ▶ The use of measuring results in non-SI units is the sole responsibility of the user.

NOTICE!**Inconsistent measuring results**

- ▶ Before you electronically save measured values determined using this device and use them further (e.g. in seca PC software or in an EMR system), make sure that the measured values are plausible.
- ▶ If measured values are transmitted to seca PC software or an EMR system, make sure prior to further use that the measured values are plausible and are assigned to the correct patient.

Handling packaging material**WARNING!****Risk of suffocation**

Packaging material made of plastic foil (bags) is a choking hazard.

- ▶ Keep packaging material out of reach of children.
- ▶ In the event that the original packing material may not be available anymore, only use plastic bags with security holes in order to reduce the risk of suffocation. Use recyclable materials if possible.

NOTE

Keep the original packing material for future use (e.g. returning for servicing).

Handling batteries and rechargeable batteries**WARNING!****Personal injury as a result of improper handling**

Batteries and rechargeable batteries contain harmful substances which may explode if not handled properly.

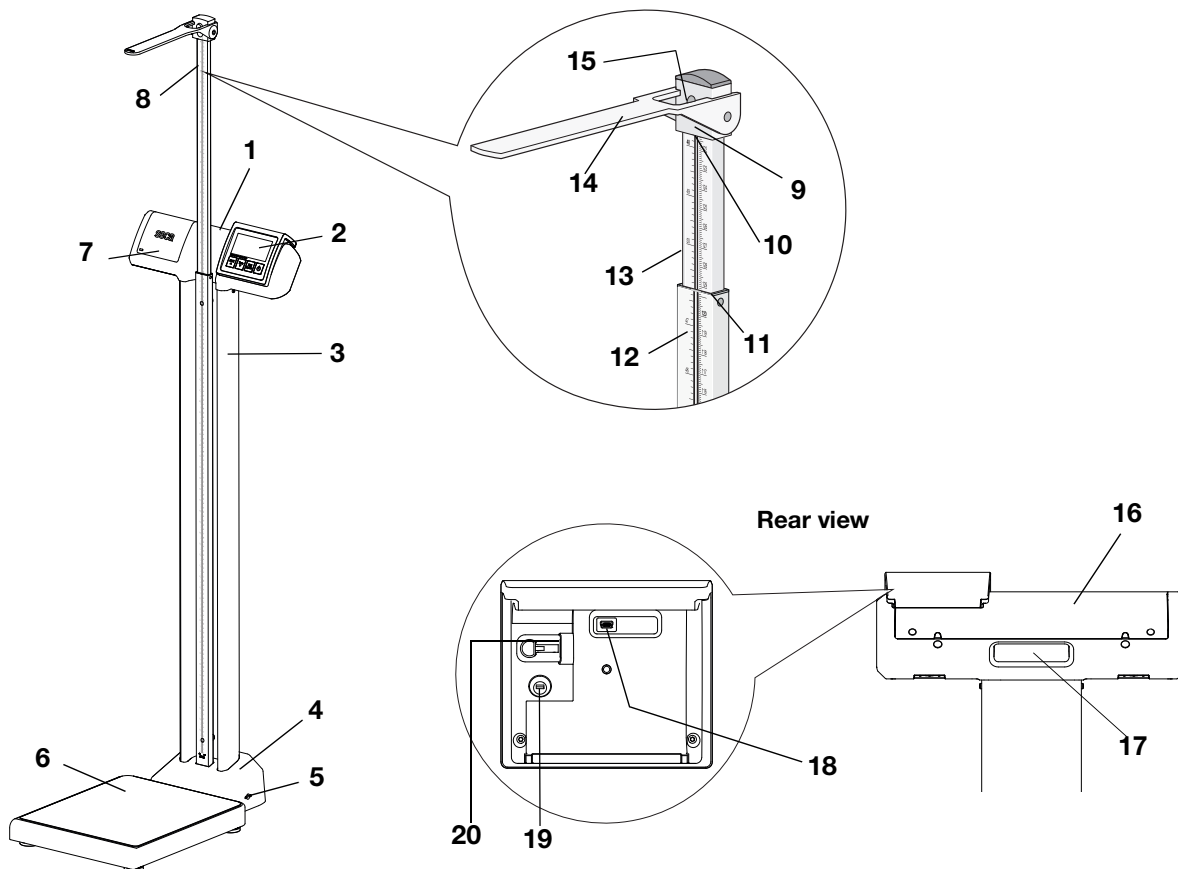
- ▶ Do not try to recharge batteries.
- ▶ Do not expose (rechargeable) batteries to heat.
- ▶ Do not burn (rechargeable) batteries.
- ▶ If acid is leaking out, avoid contact with the skin, eyes and mucous membranes. Rinse affected areas with plenty of clean water and seek medical help at once.

NOTICE!**Damage to device and malfunctions with improper handling**

- ▶ Only use the type of (rechargeable) battery specified in this document.
- ▶ When replacing (rechargeable) batteries, always replace a complete set at a time.
- ▶ Do not short-circuit (rechargeable) batteries.
- ▶ If you do not use the device for a long period of time, remove the batteries (incl. rechargeable batteries). This prevents acid from leaking into the device.
- ▶ If acid leaked into the device, discontinue use. Have the device checked by an authorised seca Service partner and repaired if necessary.

3. OVERVIEW

3.1 View of device

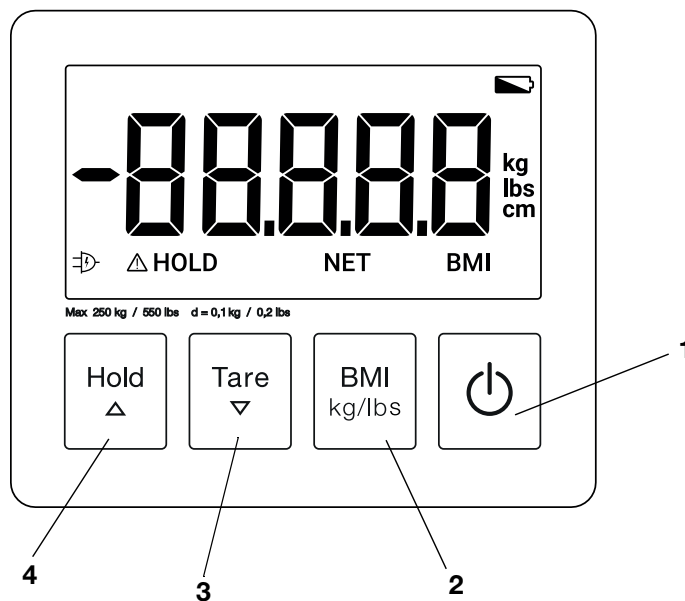



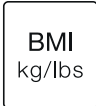


Item	Device component	Function
1	Display head	For supporting the display unit and housing the cables and batteries
2	Display unit	Serves as the central operating and display element
3	Column	For supporting the display head and the measuring rod
4	Column holder	For supporting the column
5	Power supply connection socket	For connecting a seca plug-in power supply unit
6	Weighing platform	For weighing patients
7	Battery compartment	To take type AA batteries, 1.5 V
8	Measuring rod	For measuring height
9	Head slide	For sliding the measuring flap onto the lower telescopic element
10	Read-off edge 1	For reading off measuring results in measuring range 1
11	Read-off edge 2	For reading off measuring results in measuring range 2
12	Lower telescopic element	For measuring height in measuring range 1: Up to 1.22 m
13	Upper telescopic element	For measuring height in measuring range 2: From 1.22 m
14	Measuring flap	Serves as a head stop for measuring height
15	Latch	For releasing and latching the head slide

17-10-07-651-1-00b/06-2020S

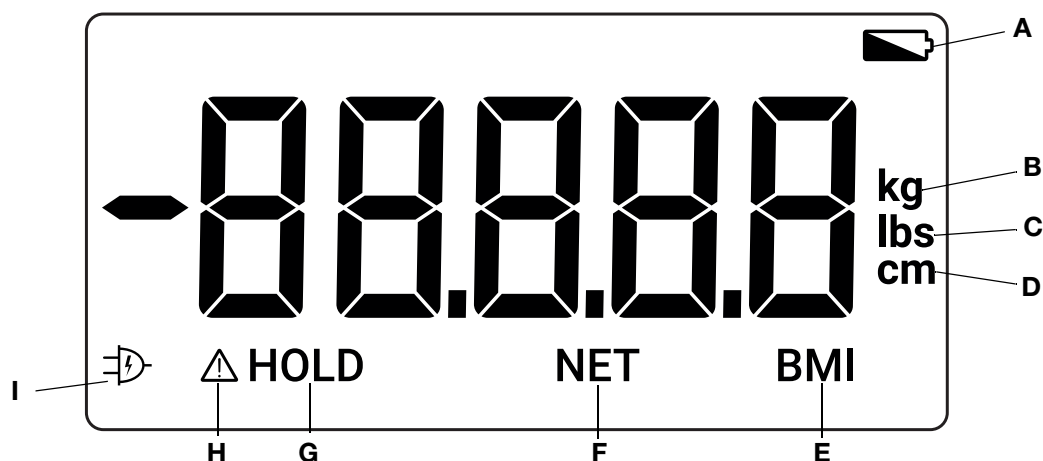
Item	Device component	Function
16	Cover panel	For covering the cables
17	Recessed handle	For transporting the measuring station
18	USB interface	For transmitting the weight values displayed to the customer's own software solution (if you have any questions, contact seca Service)
19	Battery cable socket	For connecting the battery cable
20	Connecting cable socket	For connecting the connecting cable

3.2 Display unit controls



Item	Control	Function
1		On/off key - Switch the device on and off
2		BMI kg/lbs key <ul style="list-style-type: none"> • During the measurement procedure: <ul style="list-style-type: none"> - Activate BMI mode (press key briefly) - Switch between the units kilograms and pounds (press and hold key) (function depends on variant) • In BMI mode: <ul style="list-style-type: none"> - Confirm height value and display BMI (press key briefly) - Exit BMI mode (press key briefly again)
3		Tare ▽ key <ul style="list-style-type: none"> • During the measurement procedure: <ul style="list-style-type: none"> - Activate/deactivate Tare function • In BMI mode: <ul style="list-style-type: none"> - Reduce height value
4		Hold △ key <ul style="list-style-type: none"> • During the measurement procedure: <ul style="list-style-type: none"> - Activate/deactivate Hold function • In BMI mode: <ul style="list-style-type: none"> - Increase height value



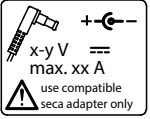
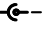


3.3 Symbols in the display










Item	Symbol	Meaning
A		Batteries are low
B	kg	Weight value in kilograms
C	lbs	Weight value in pounds
D	cm	Height in centimeters
E	BMI	Body mass index
F	NET	Additional weight tared off (Tare)
G	HOLD	Weight value is displayed permanently (Hold)
H		Non-verifiable function active
I		Operation with power supply unit

3.4 Markings on the device and on the type plate

Text/symbol	Meaning
	Name and address of manufacturer, date of manufacture
REF	Model number
SN	Serial number, consecutive
ProdID	Product identification number, consecutive
Approval Type	Type designation of design approval
	Follow instructions for use
	Medical electrical device, Type B
d	Value in mass units (non-verified models) States the difference between two consecutive display values

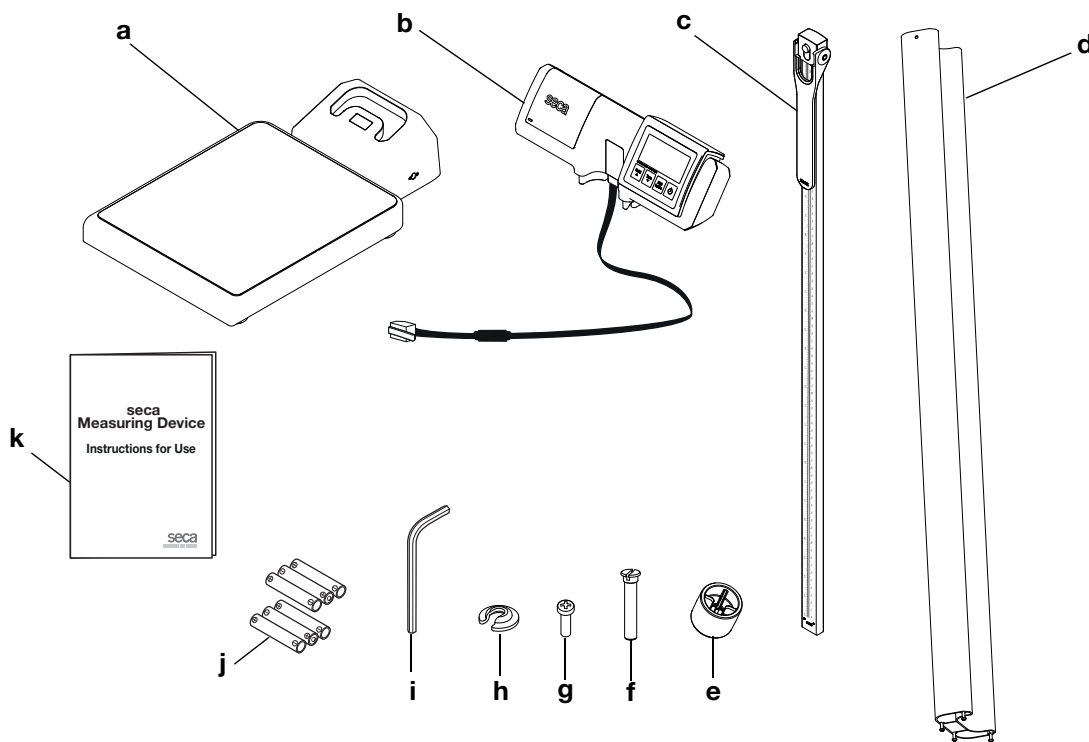
Text/symbol	Meaning
	Device complies with EU directives
	FCC symbol (USA)
FCC ID	For USA: Device license number from the Federal Communications Commission (FCC)
IC	For Canada: Device license number from Industry Canada
	Type plate on the power supply connection socket <ul style="list-style-type: none"> • xx V: Supply voltage required • max xx A: Maximum current consumption • : Note polarity of connector plug • : Operate device with direct current
	Do not dispose of device with household waste

3.5 Markings on the packaging

	Protect from moisture
	Arrows indicate top of product Transport and store in an upright position
	Fragile Do not throw or drop
	Permitted min. and max. temperature for transport and storage
	Permitted min. and max. humidity for transport and storage
	Open packaging here
	Packaging material can be disposed of through recycling programs

4. STARTING UP DEVICE

4.1 Scope of delivery



Item	Component	Pcs.
a	Weighing platform with column holder	1
b	Display head with display unit and connecting cable	1
c	Measuring rod	1
d	Column (with four pre-fitted screws)	1
e	Spacer sleeves	2
f	Slot-head screws	2
g	Cross-head screws	2
h	Lock washers	4
i	T20 hex key	1
j	Batteries (Type AA, 1.5 V)	6
k	Instructions for use	1

4.2 Assembling the device

NOTE

- Use an assistant to perform the assembly.
- We recommend placing the components on the floor and only setting the device in an upright position once you have fitted the measuring rod and the column.

Tools required

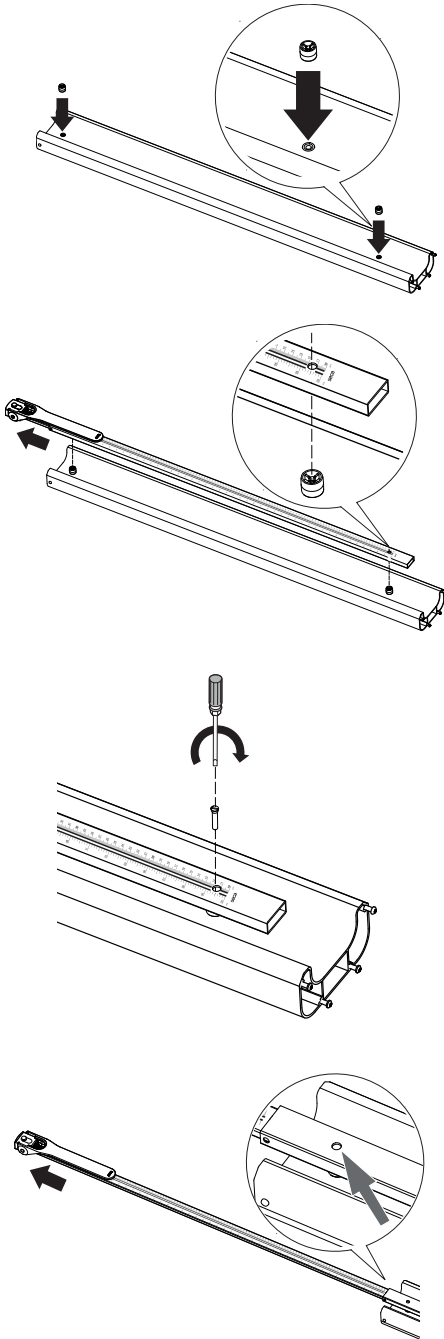
In addition to the scope of delivery, you require the following tools:

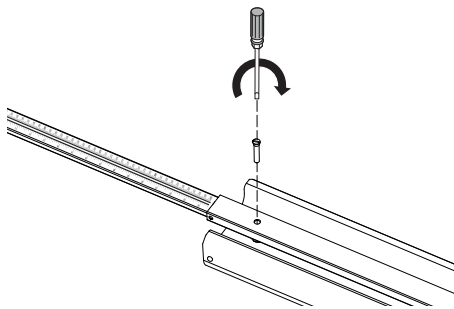
Tool	Size
Slot-head screwdriver	1x5.5 mm
Cross-head screwdriver	PH 2

Fitting the measuring rod

Proceed as follows to fit the measuring rod to the column.

1. Lie the column down on the floor.
2. Place the spacer sleeves on the bores in the column.
3. Extend the upper telescopic element far enough to expose the lower assembly bore in the lower telescopic element.
4. Position the measuring rod on the spacer sleeves as shown in the diagram.
5. Place a slot-head screw in the lower assembly bore and the spacer sleeve underneath it.
6. Tighten the slot-head screw.
7. Extend the upper telescopic element far enough to expose the upper assembly bore in the lower telescopic element.

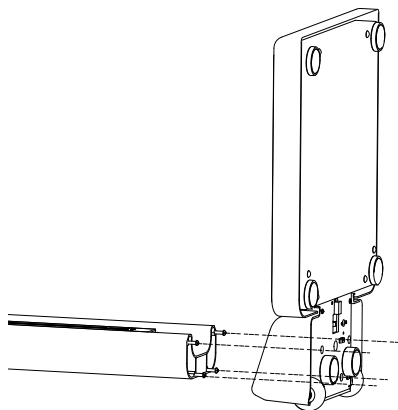




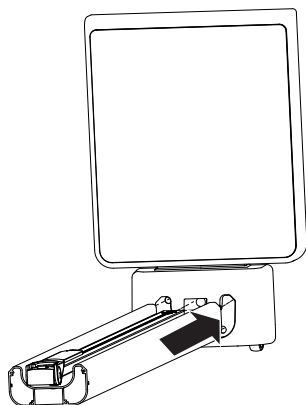
8. Place a slot-head screw in the upper assembly bore and the spacer sleeve underneath it.
9. Tighten the slot-head screw.
10. Push the upper telescopic element into its lowest position.

Fitting the column

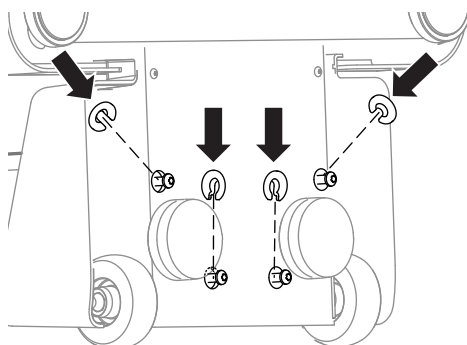
Proceed as follows to fit the column to the weighing platform.



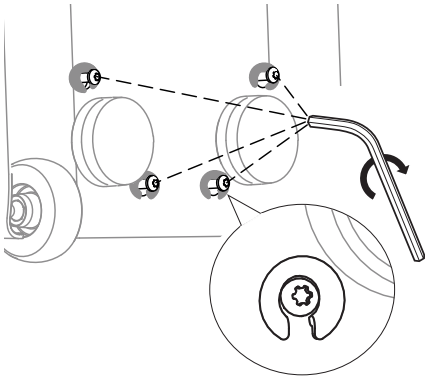
1. Lie the column on the floor and position the weighing platform as shown in the diagram.
2. Hold the weighing platform steady.



3. Push the column and measuring rod into the openings in the column holder of the weighing platform. The screws on the column protrude from the underside of the weighing platform.



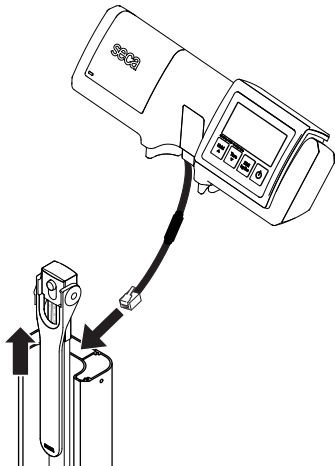
4. Place one lock washer in each of the bores for the screws.



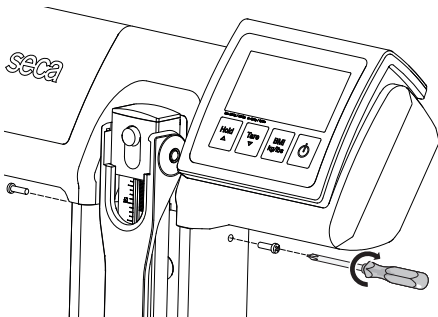
5. Tighten the screws using the T20 hex key supplied (recommended tightening torque: 3 Nm).
6. Set the measuring station in an upright position.

Fitting the display head

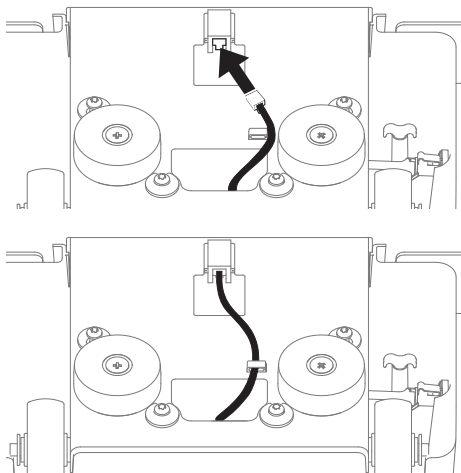
Proceed as follows to fit the display head to the column.



1. Extend the upper telescopic element of the measuring rod approx. 10 cm.
2. Guide the connecting cable of the display head through the center channel of the column as far as the lower part of the device.
3. Put the display head on the column.
4. Push the upper telescopic element into its lowest position.



5. Place one cross-head screw in each of the two side bores of the column.
6. Tighten the cross-head screws.
7. Place the measuring station on the floor with the display unit facing upward.



NOTICE!

Damage due to assembly faults

If the cables are bent at too sharp an angle, they may be damaged and thus cause a functional failure.

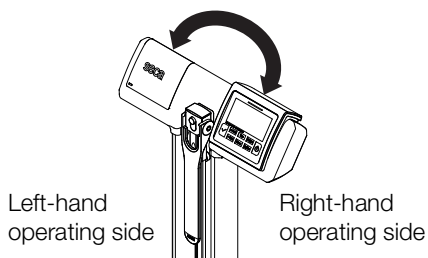
- ▶ Route all cables to prevent sharp bends and kinked connectors.

8. Connect the connecting cable:
 - a) Draw the connecting cable out of the column
 - b) Route the connecting cable past the cable clip and insert in the socket on the weighing platform
 - c) Fix the connecting cable in position with the cable clip
9. Set the measuring station in an upright position.
10. Remove the protective film from the display (if desired).

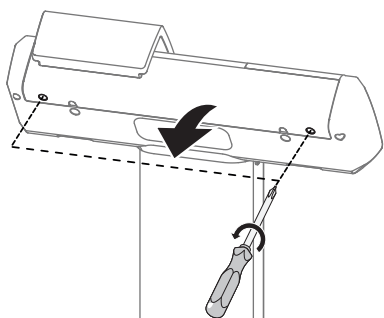
Switching the positions of the display unit and the battery compartment

At the factory, the display unit is fitted to the right-hand operating side of the display head. The battery compartment is on the left-hand operating side.

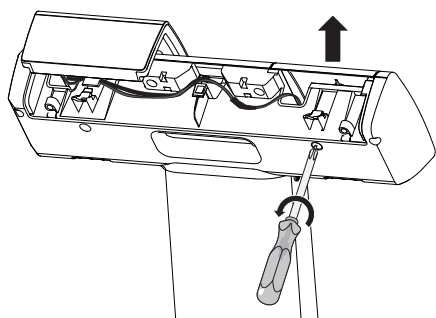
Proceed as follows to switch the positions of the display unit and the battery compartment.

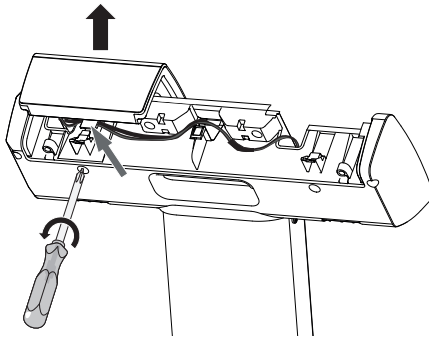


1. Remove the cover panel:
 - a) Unscrew two cross-head screws
 - b) Remove the cover panel

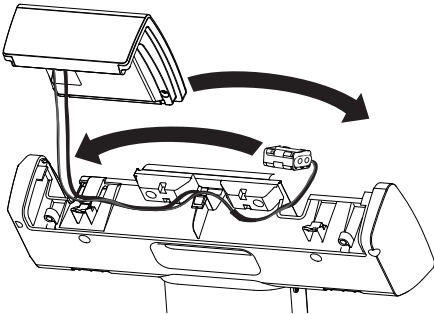


2. Remove the battery compartment lid:
 - a) Hold the battery compartment lid steady
 - b) Remove the cross-head screw behind the battery compartment lid
 - c) Remove the battery compartment lid

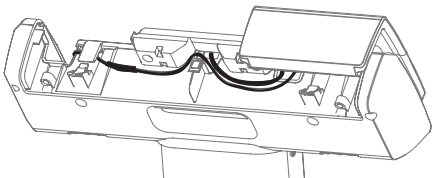




3. Remove the display unit:
 - a) Undo the cross-head screw behind the display unit
 - b) Remove cable tie on the cable hook, if present
 - c) Draw cables out of the cable hook
 - d) Lift off display unit



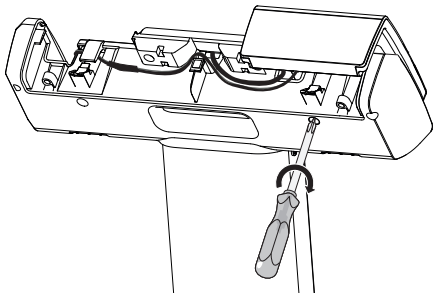
4. Switch the positions of the display unit and the battery holder:
 - a) Put the battery holder in its new position
 - b) Carefully put the display unit in its new position



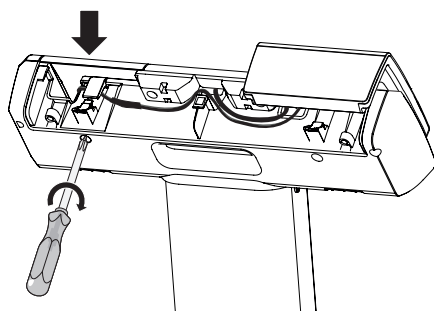
5. Route the cables so that they do not dangle out of the display head.

NOTE

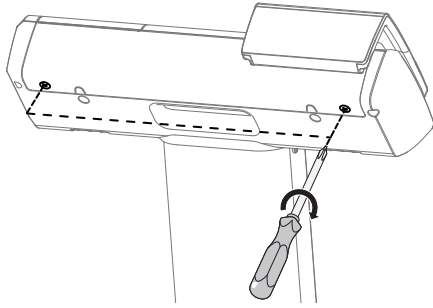
When fitting on the right-hand operating side: You can gather all the cables into the cable hook and secure them with a cable tie if necessary.



6. Fit the display unit:
 - a) Hold the display unit steady
 - b) Tighten the cross-head screw behind the display unit



7. Fit the battery compartment lid:
 - a) Insert the battery compartment lid and hold it steady
 - b) Tighten the cross-head screw behind the battery compartment lid



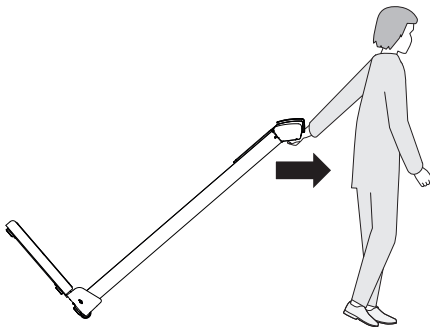
8. Fit the cover panel:
 - a) Insert cover panel
 - b) Place and tighten two cross-head screws

4.3 Disinfecting the device

- ▶ Disinfect the following components **before** initial commissioning (→ “Disinfecting”, page 26):
 - Column and recessed handle
 - Display head and display unit
 - Measuring rod, head slide with measuring flap
 - Weighing platform
 - Handrail (optional accessory)

4.4 Transporting and setting up the device

Transporting the device



The device is equipped with two casters to facilitate transport over short distances.

1. If necessary, remove the plug-in power supply unit from the power socket and from the device.
2. Fold down the measuring flap and push the upper telescopic element of the measuring rod into its lowest position.
3. Take hold of the recessed handle of the device.

CAUTION!
Injury from device falling over

- ▶ Ensure that you have a firm hold of the device when transporting it.
4. Tilt the device until it can be moved freely on the casters.
 5. Move the device slowly and carefully over door sills.
 6. Transport the device to its new setup location.

Setting up the device

CAUTION!
Incorrect measurement as a result of incorrect setup location and incorrect ambient conditions

Soft floors such as wooden hallways, for example, give under the patient's weight and falsify the measuring result. Incorrect ambient conditions lead to measurement errors.

- ▶ Select a setup location with a level, stable floor in order to achieve precise measuring results.
- ▶ Use the device only in the intended ambient conditions (→ “Technical data”, page 29).



WARNING!

Injury from device falling over

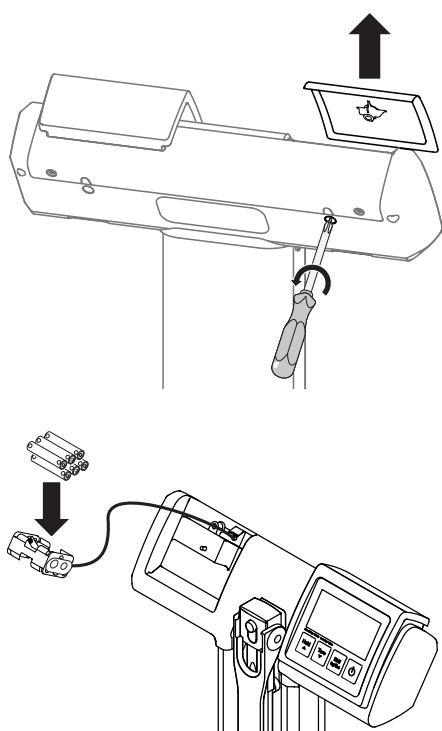
Devices with handrails may fall over if the patient reaches for the handrail when stepping onto the device or during the measurement.

- ▶ Only set up devices equipped with a handrail in such a way that the rear of the device is 5 to 10 cm away from the wall (do not place the device right against the wall).

1. Place the device on a firm, level surface.
2. If necessary, plug the plug-in power supply unit into the device and into the power socket (→ “Connecting the plug-in power supply unit (optional)”, page 20).

4.5 Establishing the power supply

Inserting batteries



You need six AA-type batteries, 1.5 V. To establish the power supply, proceed as follows:

1. Open the battery compartment:
 - a) Hold the battery compartment lid steady
 - b) Remove the cross-head screw behind the battery compartment lid
 - c) Remove the battery compartment lid

2. Put the new batteries into the battery holder in the battery compartment.

NOTE

- If replacing batteries: Dispose of the old batteries (→ “Batteries and rechargeable batteries”, page 30).
- Ensure the correct polarity of the batteries (markings on the battery holder). If **bAtt** appears in the display, you have inserted one of the batteries the wrong way round or the batteries have discharged. If batteries are inserted the wrong way round, they must be removed again immediately.

3. Close the battery compartment:
 - a) Insert the battery compartment lid
 - b) Tighten the cross-head screw behind the battery compartment lid

Connecting the plug-in power supply unit (optional)

The seca plug-in power supply unit is available as an optional accessory.



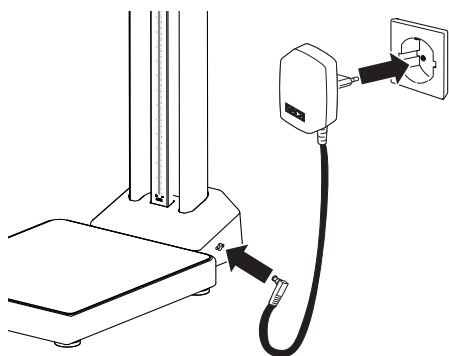
WARNING!

Personal injury or damage to the device as a result of incorrect power supply units

Conventional power supply units may deliver a higher voltage than is indicated on them. The measuring station may overheat, catch fire, melt or short-circuit.

- ▶ Use only original seca plug-in power supply units with controlled 12 V output voltage.

The connection for the plug-in power supply unit is located on the side of column holder. To establish the power supply, proceed as follows:



1. Insert the connector plug of the plug-in power supply unit into the power supply connection socket of the measuring station.
2. Plug the plug-in power supply unit into a power supply socket.

5. OPERATION

5.1 Switching the device on and off

Switching on the device



1. Ensure that there is no load on the measuring station.
2. Press the on/off key.
All the elements of the display are shown briefly, then **seca** appears in the display.
The measuring station is operational when **0.0** is displayed.

Switching off the device



- ▶ Press the on/off key.

NOTE

In battery operation, the measuring station remains on standby for 30 seconds. If there is no input or no load is put on the weighing platform during standby time, the measuring station switches off automatically.

5.2 Switching units of measurement (variant-dependent)



CAUTION! Patient hazard

In order to avoid misinterpretations, measuring results for medical use must be displayed and used in SI units (weight: Kilograms/grams, length: Meters/centimeters) only. Some devices offer the ability to display measuring results in other units. This is only an additional function.

- ▶ Use the results exclusively in SI units.
- ▶ The use of measuring results in non-SI units is the sole responsibility of the user.

You can switch between the metric unit kilogram and the imperial unit pounds during the measurement procedure.



1. Switch on the measuring station (→ “Switching on the device”, page 21).



2. Keep the **BMI kg/lbs** key depressed until the unit of measurement display changes.

5.3 Measuring weight

Weighing



CAUTION!

Injury from incorrect position of the measuring flap

Injuries may result if the measuring flap is at patient height when folded up.

- ▶ Ensure that the measuring flap is above patient height before the patient steps onto the weighing platform.



CAUTION!

Incorrect measurement as a result of force shunt

If the patient is in contact with parts other than the weighing platform during the weight measurement, measuring results will be incorrect.

- ▶ Ensure that the patient is in contact only with the following parts during weight measurement: Weighing platform and seca 477 handrail (if present).



1. Switch on the measuring station (→ "Switching on the device", page 21).
2. Ask the patient to step onto the weighing platform:
 - Do not touch the measuring rod
 - Do not touch the column and the display head
3. Read off the measuring result.

Taring off additional weight (Tare)

Use the **Tare** function to prevent an additional weight (e.g. a walking stick) affecting the patient's weight value.



CAUTION!

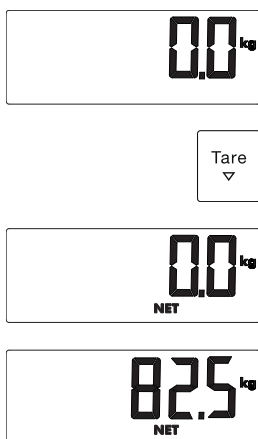
Incorrect measurement as a result of force shunt

If an additional weight is in contact with the surface on which the device is resting, measuring results will be incorrect.

- ▶ Make sure that additional weights are placed only on the weighing platform.

NOTE

The maximum weight which can be displayed is reduced by the weight of the objects which have been tared off.



1. Switch on the measuring station (→ "Switching on the device", page 21).
2. Place the additional weight on the weighing platform.
3. Keep the **Tare** ▾ key depressed until the message **NET** is displayed.
4. Wait until the display stops flashing and **0.0** is displayed instead.

NOTE

If you remove the additional weight again, - - - - will be displayed.

5. Ask the patient to step onto the weighing platform with the additional weight (or carrying the additional weight). The patient's weight is displayed. The additional weight is deducted automatically.



6. Read off the measuring result.
7. To deactivate the **Tare** function, keep the **Tare** ▽ key depressed until the message **NET** is no longer displayed.

NOTE

When you switch off the measuring station, the **Tare** function is deactivated automatically.

Displaying weight permanently (Hold)



If you activate the **Hold** function, the weight value is displayed permanently.

1. Press the **Hold** Δ key.
The display flashes until a stable weight is measured. The weight value is displayed permanently. The message Δ **HOLD** is displayed.
2. Read off the measuring result.
3. To deactivate the **Hold** function, press the **Hold** Δ key.

5.4 Measuring height

You can measure height using the integrated measuring rod.



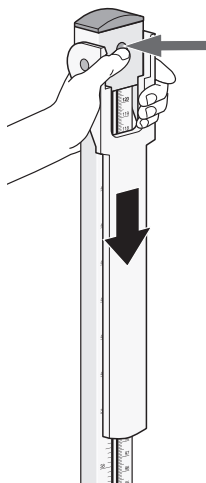
CAUTION!

Injury from incorrect position of the measuring flap

Injuries may result if the measuring flap is at patient height when folded up.

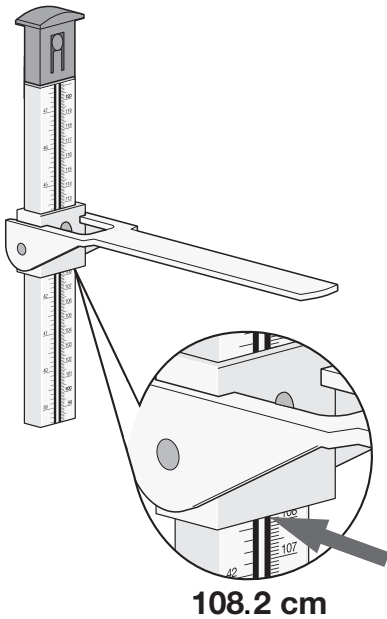
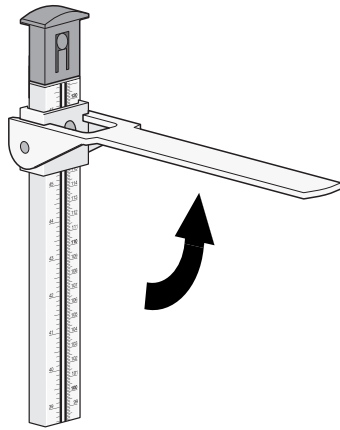
- ▶ Ensure that the measuring flap is above patient height before the patient steps onto the weighing platform.

Measuring heights < 1.22 m

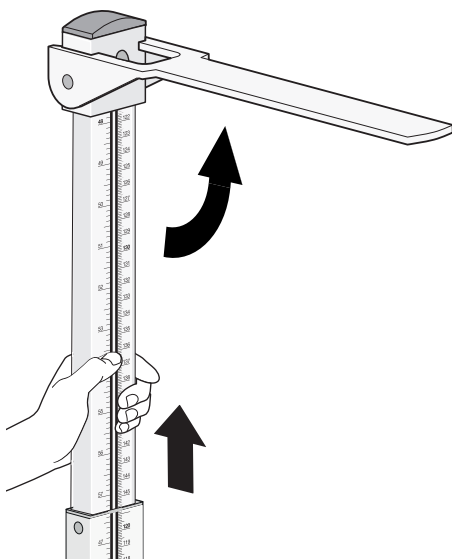


When measuring heights < 1.22 m, the measuring result is read off under the head slide (read-off edge 1).

1. Ensure that the upper telescopic element is in its lowest position.
2. Release the head slide by pressing on the latch and moving the head slide downward.



Measuring heights > 1.22 m

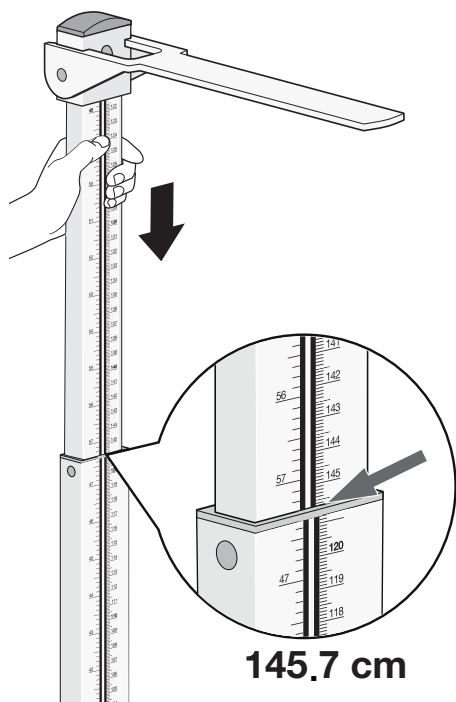


3. Fold up the measuring flap until it engages in a horizontal position.
4. Ask the patient to stand under the measuring flap:
 - Upright posture
 - Head straight (Frankfort horizontal plane, parallel to measuring flap)
5. Push the head slide on the lower telescopic element down until the measuring flap is in contact with the patient's head.

6. Read off the measuring result below the head slide (read-off edge 1) (in this case: 108.2 cm).
You have the following options for continuing:
 - ▶ Make a note of the measuring result
 - ▶ Enter the measuring result on the display unit (→ "Calculating and displaying body mass index (BMI)", page 25)
7. Ask the patient to step off the weighing platform.
8. Fold down the measuring flap.
9. Push up the head slide until it engages in the latch.

When measuring heights > 1.22 m, the measuring result is read off on the lower telescopic element (read-off edge 2).

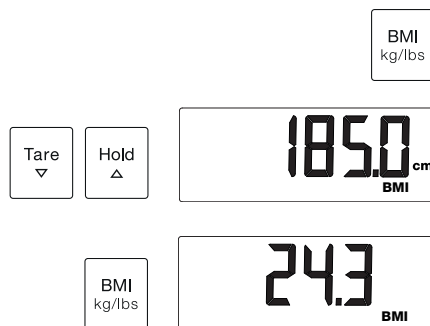
1. Fold up the measuring flap until it engages in a horizontal position.
2. Extend the upper telescopic element until the patient can get under the measuring flap comfortably.
3. Ask the patient to stand under the measuring flap:
 - Upright posture
 - Head straight (Frankfort horizontal plane, parallel to measuring flap)



4. Push the upper telescopic element down until the measuring flap is in contact with the patient's head.
5. Read off the measuring result on the lower telescopic element (read-off edge 2) (in this case: 145.7 cm).
You have the following options for continuing:
 - ▶ Make a note of the measuring result
 - ▶ Enter the measuring result on the display unit (→ “Calculating and displaying body mass index (BMI)”, page 25)
6. Ask the patient to step off the weighing platform.
7. Push the upper telescopic element into its lowest position.
8. Fold down the measuring flap.

5.5 Calculating and displaying body mass index (BMI)

Body mass index puts height and weight in a relationship to one another.



1. Determine the patient's weight value (→ “Measuring weight”, page 22).
2. Determine the patient's height value (→ “Measuring height”, page 23).
3. Press the **BMI kg/lbs** key briefly.
The last height entered in cm and **BMI** are displayed.
4. Use the **Tare** ▾ and **Hold** ▲ keys to enter the height value in centimeters.
5. Press the **BMI kg/lbs** key briefly.
BMI is calculated and displayed automatically.
6. Press the **BMI kg/lbs** key briefly.
The display returns to the weight value.

6. HYGIENE TREATMENT



WARNING!

Electric shock

The device is not de-energized when the on/off key is pressed and the display goes out. Use of fluids on the device may cause electric shock.

- ▶ Ensure that the device is switched off before performing any hygiene treatment.
- ▶ Disconnect the power supply connector before performing any hygiene treatment.
- ▶ Before each hygiene treatment, take the rechargeable battery out of the device (if present and removable).
- ▶ Ensure that no fluids penetrate the device.

NOTICE!

Damage to device

Inappropriate detergents and disinfectants may damage the sensitive surfaces of the device.

- ▶ Do not use caustic or abrasive detergents.
- ▶ Do not use organic solvents (e.g. white spirit or petroleum spirit).

6.1 Cleaning

- ▶ Use a soft cloth dampened with mild soapsuds to clean the surfaces of the device.

6.2 Disinfecting

1. Disinfect the device with an alcohol-based disinfectant at regular intervals.
2. Follow the instructions for use for the disinfectant.
3. Disinfect the device:
 - ▶ Moisten a soft cloth with disinfectant and wipe down the device with it.
 - ▶ Comply with the intervals: see table.

Interval	Component
Before every measurement	<ul style="list-style-type: none">• Weighing platform• Head slide with measuring flap• Handrail (if present)
After every measurement	<ul style="list-style-type: none">• Weighing platform• Head slide with measuring flap• Handrail (if present)
As required	<ul style="list-style-type: none">• Column, display unit and display head• Telescopic elements of the measuring rod• Recessed handle

6.3 Sterilizing

This device may not be sterilised.

7. FUNCTION CHECK

- ▶ Perform a function check prior to each use.

A complete function check includes:

- Visual inspection for mechanical damage
- Checking the alignment of the device
- Visual and function check of the display elements
- Function check of all the controls shown in the section entitled “Overview”
- Function check of optional accessories

If you notice any faults or deviations during the function check, first try to resolve the error with the aid of the section entitled “Troubleshooting” in this document.




CAUTION!

Personal injury

If you notice any faults or deviations during the function check which cannot be resolved with the aid of the section entitled “Troubleshooting” in this document, you may not use the device.

- ▶ Have the device repaired by seca Service or by an authorized service partner.
- ▶ Follow the section entitled “Servicing” in this document.

8. TROUBLESHOOTING

Problem	Cause	Remedy
No weight is displayed with a load on the weighing platform	The device has no power supply	<ul style="list-style-type: none"> • Switch on the measuring station • In the case of battery operation: Insert batteries • In the case of power supply operation: Connect the plug-in power supply unit
0.0 does not appear before weighing	A load was already on the device before it was switched on	<ul style="list-style-type: none"> • Take the load off the measuring station • Switch off the measuring station, then switch it back on again
----- appears before weighing	A load was already on the device before it was switched on	<ul style="list-style-type: none"> • Take the load off the measuring station • Switch off the measuring station, then switch it back on again
The weight display flashes	Consistent weight value has not yet been detected	<ul style="list-style-type: none"> • One of the following functions is active: Hold, Autohold, Tare. Wait until the measuring station has detected a consistent weight value. The display stops flashing. • Take the load off the measuring station, wait until 0.0 is displayed and weigh again
One display segment is displayed continuously or not at all	The display is defective	<ul style="list-style-type: none"> • Inform seca Service
 is displayed	Battery voltage is dropping	<ul style="list-style-type: none"> • Change the batteries
bAtt is displayed	The batteries have discharged	<ul style="list-style-type: none"> • Change the batteries
StOP is displayed	Maximum capacity has been exceeded	<ul style="list-style-type: none"> • Take the load off the measuring station
Er:[No.]:11 is displayed	The device has too high a load or too high a load in one corner	<ul style="list-style-type: none"> • Remove the load from the measuring station or distribute the weight more evenly • Switch off the measuring station, then switch it back on again • If the problem persists, inform seca Service
Er:[No.]:12 is displayed	The device has been switched on with too high a load	<ul style="list-style-type: none"> • Take the load off the measuring station • Switch off the measuring station, then switch it back on again
Er:[No.]:16 is displayed	The device was caused to oscillate, the zero point could not be determined	<ul style="list-style-type: none"> • Switch off the measuring station, then switch it back on again
Er:[No.]:32 is displayed	An internal communication error has occurred	<ul style="list-style-type: none"> • Switch off the measuring station, then switch it back on again • If the problem persists, inform seca Service

9. SERVICING

The product must be set up carefully and serviced regularly. Depending on how frequently the product is used, we recommended servicing at intervals of 3 to 5 years.




CAUTION!

Incorrect measurements as a result of poor servicing

- ▶ Have servicing and repairs carried out exclusively by seca Service or by an authorized service partner.
- ▶ You can find service partners in your area at www.seca.com or by sending an e-mail to service@seca.com.

10. TECHNICAL DATA

10.1 General technical data

General technical data	
Dimensions <ul style="list-style-type: none"> • Depth • Width • Height (measuring rod not extended) 	576 mm 410 mm 1356 mm
Weight of measuring station	approx. 12.7 kg
Ambient conditions, operation <ul style="list-style-type: none"> • Temperature • Air pressure • Humidity 	+10 °C to +40 °C / +50 °F to 104 °F 700 – 1060 hPa 30 % – 80 %, no condensation
Ambient conditions, storage <ul style="list-style-type: none"> • Temperature • Air pressure • Humidity 	-10 °C to +65 °C / +14 °F to 149 °F 700 – 1060 hPa 0 % – 95 %, no condensation
Ambient conditions, transport <ul style="list-style-type: none"> • Temperature • Air pressure • Humidity 	-10 °C to +65 °C / +14 °F to 149 °F 700 – 1060 hPa 0 % – 95 %, no condensation
Power supply <ul style="list-style-type: none"> • Batteries <ul style="list-style-type: none"> - Supply voltage - Battery type • Plug-in power supply unit (optional accessory) <ul style="list-style-type: none"> - Supply voltage - Maximum current consumption - Insulated device, protection class II (EN 60601-1) 	9 V 6 x type AA, 1.5 V 12 V typically 500 mA <input type="checkbox"/>
Supply voltage	100 V – 240 V
Power supply frequency	50 Hz – 60 Hz
Current consumption	approx. 37 mA
Maximum runtime in battery operation (USB interface not active)	approx. 32 hours
Metrology data, measuring rod <ul style="list-style-type: none"> • Measuring range 1 • Measuring range 2 • Graduations • Accuracy 	10 cm – 122 cm (4 inch – 48 inch) 122 cm – 230 cm (48 inch – 90.5 inch) 1 mm (1/8 inch) ± 5 mm
Medical device in accordance with Directive 93/42/EEC	Class I with measuring function
EN 60601-1: Medical electrical device, Type B	
Type of protection	IP20
Duty cycle	Continuous duty

10.2 Weighing data

Weighing data	
Maximum capacity	250 kg/550 lbs
Minimum capacity	0.2 kg/0.4 lbs

Weighing data	
Increments	0.1 kg/0.2 lbs
Tare range	up to 250 kg (subtractive)
Accuracy	± 100 g (0.22 lbs) ± 0.15 %
<ul style="list-style-type: none"> • 0 kg to 70 kg (0 lbs to 132 lbs) • 70 kg to 250 kg (132 lbs to 551 lbs) 	

11. OPTIONAL ACCESSORIES AND SPARE PARTS

Accessory/Spare part	Article number
Switch-mode power supply: 100–240 V~ / 50–60 Hz / 12 V= / 0.5 A	68-32-10-270
seca 477 handrail (for seca 777 1721 004 / seca 777 1821 004)	477 0000 009

12. DISPOSAL

12.1 Device



Do not dispose of the device with household waste. The device must be disposed of properly as electronic waste. Comply with the national provisions applicable in your country. For further information contact our service department at:

service@seca.com

12.2 Batteries and rechargeable batteries



Spent (rechargeable) batteries should not be discarded with household waste, regardless of whether they contain harmful substances or not. As a consumer you are obliged by law to dispose of (rechargeable) batteries via the collection points set up by the municipal authorities or the retail sector. Only discard (rechargeable) batteries when fully discharged.

13. WARRANTY

We offer a two-year warranty from the date of delivery for defects attributable to faulty material or poor workmanship. This excludes all moveable parts such as (rechargeable) batteries, cables, power supply units, etc. Defects which are covered by the warranty shall be rectified free of charge for customers on production of the sales receipt. No further claims can be accepted. The costs of shipment in both directions shall be borne by the customer where the device is not located at the customer's premises. In the event of any damage during shipment warranty claims can only be asserted where the complete original packaging was used for shipment and the device was secured inside in the same manner as in the original packaging. You should therefore keep all packaging.

The warranty shall become null and void where the device is opened by persons not expressly authorised to do so by seca.

In the event of a warranty issue, please contact your local seca office or the dealer from whom you ordered the product.

14. DECLARATIONS OF CONFORMITY

14.1 For Europe



seca gmbh & co. kg hereby declares that the product meets the terms of the applicable European directives. The unabridged declaration of conformity can be found at: www.seca.com.

14.2 For USA and Canada

NOTE

This device complies with Part 15 of the FCC Rules and with RSS-210 of Industry Canada. Operation is subject to the following two conditions:

- This device may not cause harmful interference.
- This device must accept any interference received, including interference that may cause undesired operation.

NOTE

Changes or modifications made to this equipment not expressly approved by seca may void the FCC authorization to operate this equipment.

NOTE

Radiofrequency radiation exposure information:

This equipment complies with FCC radiation exposure limits set forth for an uncontrolled environment. This equipment should be installed and operated with minimum distance of 1 m between the radiator and your body. This transmitter must not be co-located or operating in conjunction with any other antenna or transmitter.

TABLE DES MATIÈRES

1. Description de l'appareil	33	
1.1 Domaine d'utilisation	33	
1.2 Description du fonctionnement	33	
Station de mesure	33	
Port USB	33	
1.3 Qualification de l'utilisateur	33	
Montage	33	
Utilisation	33	
2. Informations relatives à la sécurité	33	
2.1 Consignes de sécurité de ce mode d'emploi	33	
2.2 Consignes de sécurité de base	34	
Utilisation de l'appareil	34	
Éviter les décharges électriques	35	
Éviter les blessures et les infections	35	
Éviter les dommages matériels	36	
Exploitation des résultats de mesure	36	
Utilisation du matériel d'emballage	37	
Manipulation des piles et des batteries	37	
3. Aperçu	38	
3.1 Vue de l'appareil	38	
3.2 Éléments de commande de l'unité d'affichage	39	
3.3 Symboles de l'afficheur	40	
3.4 Marquages sur l'appareil et sur la plaque signalétique	40	
3.5 Marquages sur l'emballage	41	
4. Mise en service de l'appareil	42	
4.1 Éléments livrés	42	
4.2 Monter l'appareil	42	
Outils requis	43	
Montage de la toise de mesure	43	
Montage de la colonne	44	
Montage du support d'affichage	45	
Permuter la position de l'unité d'affichage et du logement des piles	46	
4.3 Désinfecter l'appareil	48	
4.4 Transporter et installer l'appareil	48	
Transporter l'appareil	48	
Installer l'appareil	48	
4.5 Établir l'alimentation électrique	49	
Insérer les piles	49	
Brancher l'adaptateur secteur enfichable (option)	49	
5. Utilisation	50	
5.1 Allumer et éteindre l'appareil	50	
Allumer l'appareil	50	
Éteindre l'appareil	50	
5.2 Changer d'unité (fonction selon la variante de modèle)	50	
5.3 Peser le patient	51	
Peser	51	
Déduire un poids supplémentaire (Tare)	51	
Afficher le poids en permanence (Hold)	52	
5.4 Mesurer la taille	52	
		Mesurer les patients dont la taille est < 1,22 m
		52
		Mesurer les patients dont la taille est > 1,22 m
		53
		5.5 Calculer l'indice de masse corporelle (IMC) et l'afficher
		54
6. Décontamination	55	
6.1 Nettoyage	55	
6.2 Désinfection	55	
6.3 Stérilisation	55	
7. Contrôle fonctionnel	56	
8. Dépannage	57	
9. Maintenance	57	
10. Caractéristiques techniques	58	
10.1 Caractéristiques techniques générales	58	
10.2 Caractéristiques de pesage	59	
11. Accessoires optionnels et pièces de rechange	59	
12. Élimination	59	
12.1 Appareil	59	
12.2 Piles et batteries	59	
13. Garantie	59	
14. Déclarations de conformité	60	
14.1 Pour l'Europe	60	
14.2 Pour les USA et le Canada	60	

1. DESCRIPTION DE L'APPAREIL

1.1 Domaine d'utilisation

La station de mesure **seca 777** est utilisée principalement dans les hôpitaux, les cabinets médicaux et les centres de soins hospitaliers conformément aux directives nationales en vigueur.

La station de mesure **seca 777** permet de déterminer le poids et la taille des patients de manière conventionnelle et d'évaluer leur état nutritionnel global, ce qui aide le médecin traitant à établir un diagnostic et à décider d'un traitement.

Pour l'établissement d'un diagnostic précis, il incombe toutefois au médecin, parallèlement à la mesure de la taille et du poids, de prescrire des examens ciblés supplémentaires et de tenir compte des résultats correspondants.

1.2 Description du fonctionnement

Station de mesure La station de mesure **seca 777** utilise quatre cellules de pesée pour établir le poids du patient. La toise de mesure intégrée sert à déterminer sa taille. L'indice de masse corporelle (IMC) est calculé automatiquement à partir des deux résultats de mesure.

Port USB Le port USB permet de raccorder la station de mesure **seca 777** à un ordinateur par l'intermédiaire d'un câble USB approprié (USB 2.0, mini USB type B, longueur max. du câble : 1,80 m). Un logiciel client peut alors acquérir et traiter les valeurs de poids qui s'affichent.

1.3 Qualification de l'utilisateur

Montage Les appareils livrés partiellement montés doivent être montés exclusivement par des personnes suffisamment qualifiées, par ex. les revendeurs, les techniciens hospitaliers ou seca Service.

Utilisation L'appareil peut être utilisé exclusivement par un personnel qualifié médical.

2. INFORMATIONS RELATIVES À LA SÉCURITÉ

2.1 Consignes de sécurité de ce mode d'emploi

**DANGER !**

Désigne une situation de danger exceptionnelle. Le non-respect de cette indication entraîne des blessures irréversibles ou mortelles.

**AVERTISSEMENT !**

Désigne une situation de danger exceptionnelle. Le non-respect de cette indication peut entraîner des blessures irréversibles ou mortelles.

**PRUDENCE !**

Désigne une situation de danger. Le non-respect de cette indication peut entraîner des blessures légères ou moyennes.

ATTENTION !

Désigne une possible utilisation incorrecte de l'appareil. Le non-respect de cette indication peut entraîner des dommages à l'appareil ou générer des résultats de mesure erronés.

REMARQUE :

Contient des informations supplémentaires relatives à l'utilisation de cet appareil.

2.2 Consignes de sécurité de base

Utilisation de l'appareil

- ▶ Respectez les consignes de ce mode d'emploi.
- ▶ Conservez précieusement le mode d'emploi. Le mode d'emploi fait partie de l'appareil et doit toujours être disponible.
- ▶ Dans l'intérêt de la sécurité des patients, vous êtes dans l'obligation, tout comme vos patients, de signaler au fabricant et à l'autorité compétente dans votre pays tout incident grave survenu en liaison avec ce produit.



DANGER !

Risque d'explosion

N'utilisez pas l'appareil dans un environnement dans lequel se concentrent les gaz suivants :

- Oxygène
- Anesthésiques inflammables
- Autres substances/mélanges inflammables



PRUDENCE !

Mise en danger du patient, dommages matériels

- ▶ Les appareils supplémentaires raccordés aux appareils électromédicaux doivent satisfaire, de manière vérifiable, à leurs normes IEC ou ISO correspondantes (par ex. IEC 60950 pour les appareils de traitement de l'information). De plus, toutes les configurations doivent satisfaire aux exigences normatives relatives aux systèmes médicaux (voir IEC 60601-1-1 ou partie 16 de l'édition 3.1 de la norme IEC 60601-1, respectivement). Toute personne raccordant des appareils supplémentaires aux appareils électromédicaux procède à la configuration du système et est par conséquent responsable de la mise en conformité du système aux exigences normatives relatives aux systèmes. Cette règle s'applique également aux appareils supplémentaires recommandés par seca. Il est à noter que la législation locale a priorité sur les exigences normatives susmentionnées. Pour toute demande, veuillez contacter votre revendeur local ou le Service technique.
- ▶ Faites effectuer les maintenances régulièrement comme décrit dans le paragraphe correspondant de ce document.
- ▶ Il est interdit de procéder à des modifications techniques sur l'appareil. L'appareil ne contient aucune pièce nécessitant un entretien par l'utilisateur. Les entretiens et réparations doivent être exclusivement confiés à des partenaires S.A.V. seca autorisés. Pour connaître le partenaire S.A.V. le plus proche, rendez-vous sur www.seca.com ou envoyez un e-mail à service@seca.com.
- ▶ Utilisez exclusivement des accessoires et pièces de rechange seca d'origine. Sinon, seca n'offre aucune garantie.



PRUDENCE !

Mise en danger du patient, dysfonctionnement

- ▶ Avec les autres appareils médicaux électriques, comme par ex. les appareils de chirurgie à haute fréquence, maintenez une distance minimum d'env. 1 mètre pour éviter des mesures erronées ou des perturbations lors de la transmission sans fil.

- ▶ Avec les appareils HF, comme par ex. les téléphones mobiles, maintenez une distance minimum d'env. 1 mètre pour éviter des mesures erronées ou des perturbations lors de la transmission sans fil.
- ▶ La puissance d'émission réelle des appareils HF peut requérir des distances minimales supérieures à 1 mètre. Plus de détails sous www.seca.com.

Éviter les décharges électriques



AVERTISSEMENT !

Décharge électrique

- ▶ Posez les appareils, pouvant fonctionner avec un adaptateur secteur, de sorte que la prise murale soit d'accès facile et que la coupure du secteur puisse être réalisée rapidement.
- ▶ Assurez-vous que votre alimentation secteur locale correspond aux indications sur l'adaptateur secteur.
- ▶ Ne saisissez jamais l'adaptateur secteur avec les mains humides.
- ▶ N'utilisez pas de rallonges ou multiprises.
- ▶ Veillez à ce que les câbles ne soient pas écrasés ou endommagés par des objets à arêtes vives.
- ▶ Veillez à ce que les câbles n'entrent pas en contact avec des objets chauds.
- ▶ N'utilisez pas l'appareil à une altitude supérieure à 3000 m au-dessus du niveau de la mer.

Éviter les blessures et les infections



AVERTISSEMENT !

Blessures en cas de renversement de l'appareil

Les appareils équipés d'une main courante peuvent se renverser quand le patient attrape la main courante en montant sur l'appareil ou pendant la mesure.

- ▶ Un appareil sur lequel une main courante est montée doit impérativement être placé de telle manière que l'arrière de l'appareil soit à 5 à 10 cm du mur (ne pas placer l'appareil directement contre le mur).



AVERTISSEMENT !

Risque de blessure par chute

- ▶ Assurez-vous que l'appareil repose sur une surface solide et plane.
- ▶ Disposez les câbles de raccordement (le cas échéant) de manière à ce que l'utilisateur et le patient ne puissent pas trébucher.
- ▶ L'appareil ne doit pas être utilisé pour aider à se mettre debout. Soutenez les personnes à mobilité réduite, par ex. en les aidant à se lever d'une chaise roulante.
- ▶ Assurez-vous que le patient ne se place pas directement sur le bord du plateau pour monter ou pour descendre.
- ▶ Assurez-vous que le patient monte et descende lentement et sûrement de la plateforme de pesage.



AVERTISSEMENT !

Risque de glissement

- ▶ Assurez-vous que la plateforme de pesage est sèche avant que le patient n'y prenne place.
- ▶ Assurez-vous que les pieds du patient sont secs avant qu'il ne prenne place sur la plateforme de pesage.
- ▶ Assurez-vous que le patient monte et descende lentement et sûrement de la plateforme de pesage.



AVERTISSEMENT !

Risque d'infection

- ▶ Lavez-vous les mains avant et après chaque mesure afin de réduire le risque de contaminations croisées et d'infections nosocomiales.
- ▶ Traitez l'appareil de manière hygiénique à intervalles réguliers comme décrit dans le paragraphe correspondant de ce document.
- ▶ Assurez-vous que le patient ne présente aucune maladie contagieuse.
- ▶ Assurez-vous que le patient ne présente pas de plaie ouverte ni de modifications cutanées infectieuses qui pourraient entrer en contact avec l'appareil.

Éviter les dommages matériels

ATTENTION !

Dommages matériels

- ▶ Veillez à ce qu'aucun liquide ne pénètre à l'intérieur de l'appareil. Cela pourrait détruire les composants électroniques.
- ▶ Mettez l'appareil hors tension avant de débrancher l'adaptateur secteur de la prise.
- ▶ Pour les appareils à fonctionnement sur secteur : en cas de non-utilisation prolongée de l'appareil, débranchez l'adaptateur secteur de la prise. Vous aurez ainsi la garantie que l'appareil est hors tension.
- ▶ Pour les appareils à fonctionnement sur piles ou sur secteur : si vous n'utilisez pas l'appareil pendant une période prolongée, retirez les piles ou batteries. Vous aurez ainsi la garantie que l'appareil est hors tension.
- ▶ Ne faites pas tomber l'appareil.
- ▶ Ne soumettez pas l'appareil à de fortes secousses ou vibrations.
- ▶ Effectuez à intervalles réguliers un contrôle de fonctionnement comme décrit dans le paragraphe correspondant de ce document. Ne faites pas fonctionner l'appareil s'il ne fonctionne pas correctement ou s'il est endommagé.
- ▶ N'exposez pas l'appareil à la lumière directe du soleil et assurez-vous qu'aucune source de chaleur ne se trouve à proximité. Des températures excessives risquent d'endommager les composants électroniques.
- ▶ Évitez les variations de températures rapides. Si lors du transport, un écart de température supérieur à 20 °C est atteint, l'appareil doit être au repos pendant au moins 2 heures avant la mise sous tension. Sinon, de l'eau de condensation se forme, au risque d'endommager les composants électroniques.
- ▶ Utilisez l'appareil uniquement dans des conditions ambiantes appropriées.
- ▶ Entrez l'appareil uniquement dans des conditions de stockage appropriées.
- ▶ N'utilisez pas de nettoyeurs puissants ou récurants.
- ▶ N'utilisez pas de solvants organiques (par ex. de l'éthanol ou de l'essence).

Exploitation des résultats de mesure



PRUDENCE !

Mise en danger du patient

Afin d'éviter de mauvaises interprétations, les résultats de mesure à des fins médicales doivent être affichés et utilisés exclusivement en unités SI (poids : kilogrammes/grammes, taille : mètre/centimètre). Certains appareils offrent la possibilité d'afficher les résultats de mesure dans d'autres unités. Cela correspond à une fonction supplémentaire.

- ▶ Utilisez les résultats de mesure exclusivement en unités SI.
- ▶ L'utilisateur est seul responsable de l'utilisation des résultats de mesure en unités autres que SI.

ATTENTION !**Résultats de mesure contradictoires**

- ▶ Avant d'enregistrer sur un support électronique les valeurs mesurées avec cet appareil en vue d'une exploitation ultérieure (par ex. avec un logiciel PC seca ou dans un système d'information), assurez-vous qu'elles sont plausibles.
- ▶ Après avoir transféré des valeurs mesurées vers un logiciel PC seca ou un système d'information, assurez-vous qu'elles sont plausibles et affectées au bon patient avant toute exploitation ultérieure.

Utilisation du matériel d'emballage**AVERTISSEMENT !****Risque d'asphyxie**

Le matériel d'emballage sous film plastique (sacs) représente un risque d'asphyxie.

- ▶ Conservez le matériel d'emballage à l'abri des enfants.
- ▶ Si l'emballage d'origine n'est plus disponible, utilisez exclusivement des sacs plastique munis de perforations de sécurité afin de réduire le risque d'asphyxie. Dans la mesure du possible, utilisez des matières recyclables.

REMARQUE :

Conservez le matériel d'emballage d'origine en vue d'une utilisation ultérieure (par ex. renvoi de l'appareil à des fins de maintenance).

Manipulation des piles et des batteries**AVERTISSEMENT !****Dommages corporels dus à une manipulation inappropriée**

Les piles et batteries contiennent des substances toxiques qui peuvent être libérées sous forme d'explosion en cas de manipulation inappropriée.

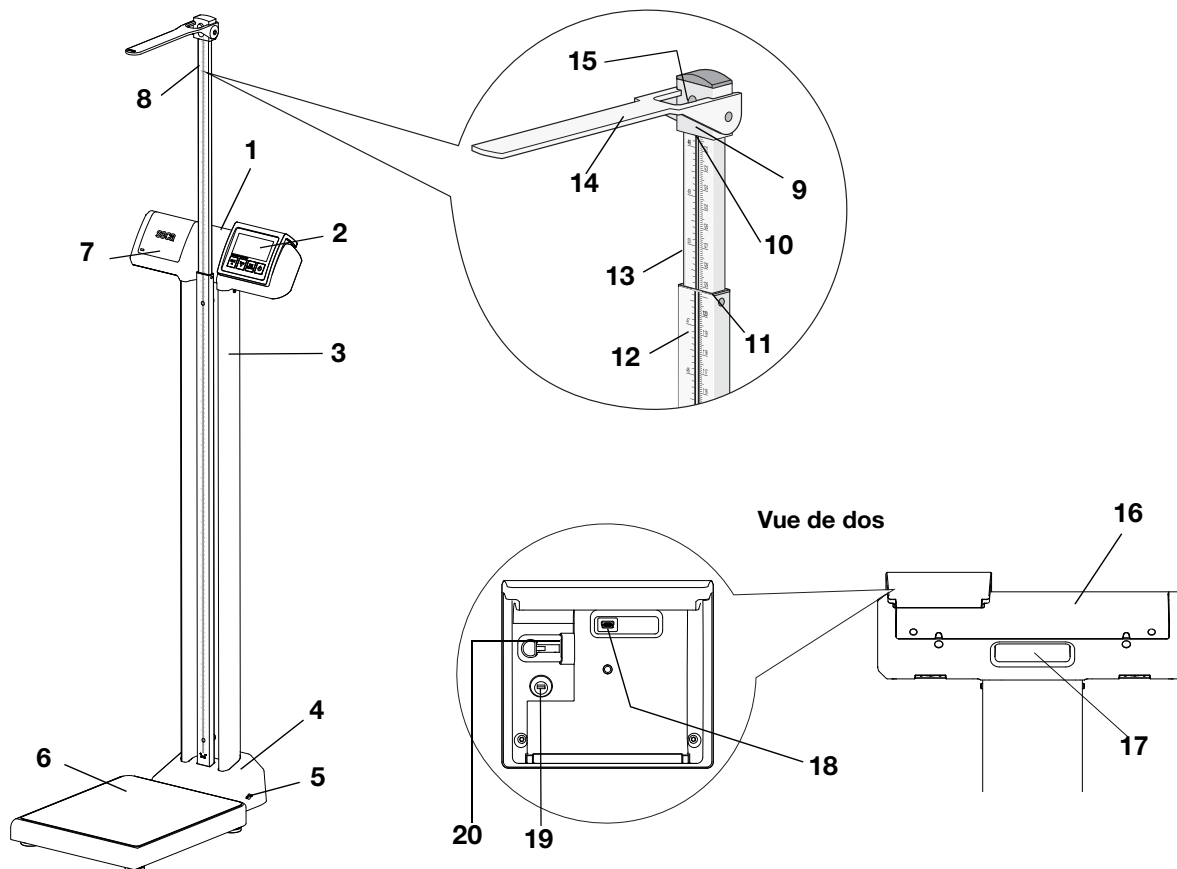
- ▶ N'essayez pas de recharger les piles jetables.
- ▶ Ne chauffez pas les piles/batteries.
- ▶ Ne brûlez pas les piles/batteries.
- ▶ En cas d'écoulement de l'acide des piles, évitez tout contact avec la peau, les yeux et les muqueuses. Nettoyez les zones du corps affectées à l'eau claire et consultez immédiatement un médecin.

ATTENTION !**Dommages matériels et dysfonctionnement dus à une manipulation inappropriée**

- ▶ Utilisez exclusivement le type de pile/batterie indiqué dans ce document.
- ▶ Remplacez toujours l'ensemble des piles/batteries simultanément.
- ▶ Ne court-circuitez pas les piles/batteries.
- ▶ En cas de non-utilisation pendant une période prolongée, retirez les piles/batteries. Cela permet d'éviter tout écoulement d'acide dans l'appareil.
- ▶ Si de l'acide a pénétré dans l'appareil, ne continuez pas à l'utiliser. Faites contrôler l'appareil par un partenaire S.A.V. seca agréé et faites-le réparer si nécessaire.

3. APERÇU

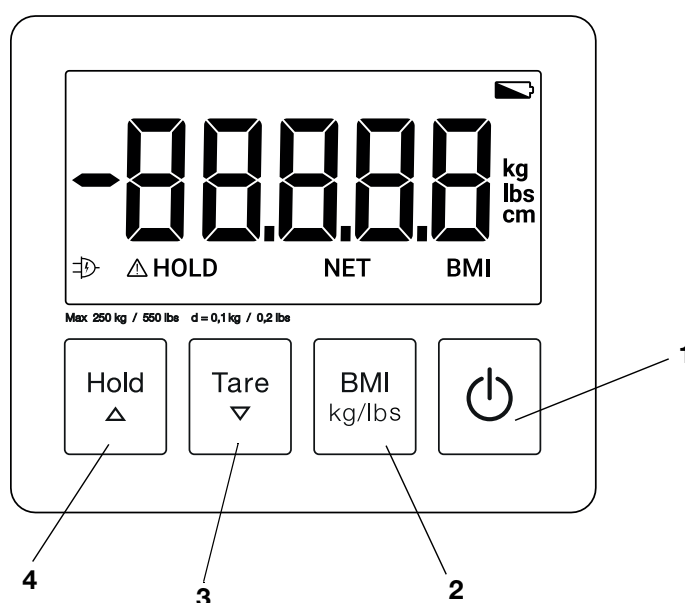
3.1 Vue de l'appareil



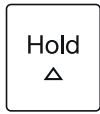
Pos.	Composants de l'appareil	Fonction
1	Support d'affichage	Porte l'unité d'affichage et sert de boîtier destiné au câble et aux piles
2	Unité d'affichage	Élément de commande et d'affichage central
3	Colonne	Porte le support d'affichage et la toise de mesure
4	Socle de la colonne	Porte la colonne
5	Prise d'alimentation	Pour le raccordement d'un adaptateur secteur enfichable seca
6	Plateforme de pesée	Pour peser les patients
7	Logement des piles	Logement pour piles, type AA, 1,5 V
8	Toise de mesure	Pour mesurer la taille des patients
9	Courseur	Permet de déplacer la languette de mesure le long de l'élément télescopique inférieur
10	Ligne de lecture 1	Pour lire les résultats de mesure sur la plage de mesure 1
11	Ligne de lecture 2	Pour lire les résultats de mesure sur la plage de mesure 2
12	Élément télescopique inférieur	Pour mesurer la taille des patients sur la plage de mesure 1, jusqu'à 1,22 m
13	Élément télescopique supérieur	Pour mesurer la taille des patients sur la plage de mesure 2, à partir de 1,22 m
14	Languette de mesure	Butée de tête pour la mesure de la taille des patients

Pos.	Composants de l'appareil	Fonction
15	Dispositif d'arrêt	Pour bloquer ou débloquer le curseur
16	Cache	Recouvre et cache le câble
17	Poignée	Pour transporter la station de mesure
18	Port USB	Pour le transfert des valeurs de poids affichées vers un logiciel client (prière de contacter seca Service si vous avez des questions)
19	Prise pour câble des piles	Permet de brancher le câble des piles
20	Prise pour câble de raccordement	Permet de brancher le câble de raccordement

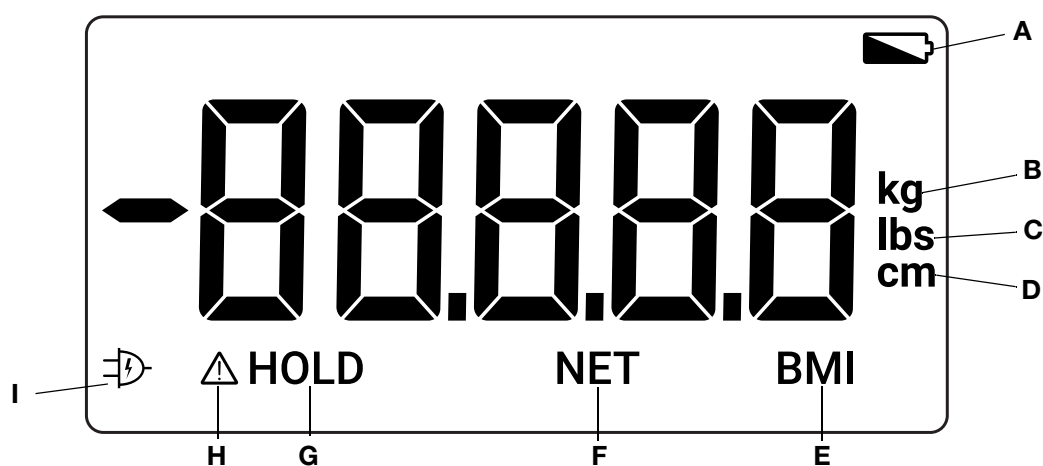
3.2 Éléments de commande de l'unité d'affichage






Pos.	Élément de commande	Fonction
1		Touche marche/arrêt - Allumer et éteindre l'appareil
2		Touche BMI kg/lbs <ul style="list-style-type: none"> Lors de la mesure : <ul style="list-style-type: none"> - Activer le mode IMC (pression brève) - Basculer entre l'affichage en kilogrammes et en livres (pression longue) (fonction selon la variante de modèle) En mode IMC : <ul style="list-style-type: none"> - Confirmer la valeur de la taille et afficher l'IMC (pression brève) - Quitter le mode IMC (à nouveau pression brève)
3		Touche Tare ▽ <ul style="list-style-type: none"> Lors de la mesure : <ul style="list-style-type: none"> - Activer/désactiver la fonction Tare En mode IMC : <ul style="list-style-type: none"> - Réduire la valeur de la taille




Pos.	Élément de commande	Fonction
4		Touche Hold Δ <ul style="list-style-type: none"> Lors de la mesure : <ul style="list-style-type: none"> - Activer/désactiver la fonction Hold En mode IMC : <ul style="list-style-type: none"> - Augmenter la valeur de la taille





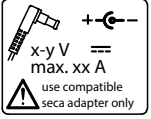
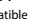
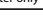

3.3 Symboles de l'afficheur










Pos.	Symbole	Signification
A		Les piles sont faibles
B	kg	Poids en kilogrammes
C	lbs	Poids en livres
D	cm	Taille en centimètres
E	BMI	Indice de masse corporelle (IMC)
F	NET	Poids supplémentaire déduit (Tare)
G	HOLD	La valeur du poids reste affichée (Hold)
H		Fonction non vérifiable active
I		Fonctionnement avec adaptateur secteur

3.4 Marquages sur l'appareil et sur la plaque signalétique

Texte/Symbole	Signification
	Nom et adresse du fabricant, date de production
	Numéro de modèle
	Numéro de série, continu
ProdID	Numéro d'identification du produit, continu
Approval Type	Désignation du type d'approbation de modèle

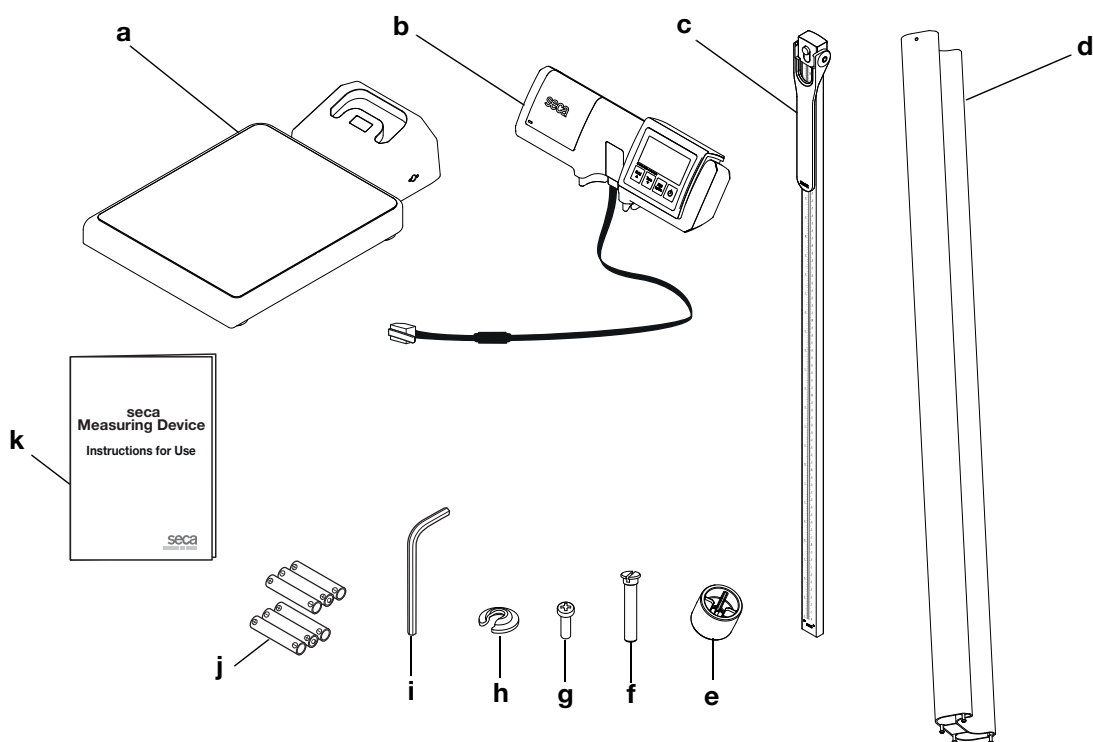
Texte/Symbole	Signification
	Respecter le mode d'emploi
	Appareil électromédical, type B
d	Valeur en unités de masse (modèles non vérifiés) Indique la différence entre deux valeurs d'affichage consécutives
	L'appareil est conforme aux directives UE
	Symbole de la FCC (États-Unis)
FCC ID	Pour les États-Unis : numéro d'homologation de l'appareil auprès de l'autorité américaine compétente Federal Communications Commission FCC
IC	Pour le Canada : numéro d'homologation de l'appareil auprès de l'autorité compétente Industry Canada
	Plaque signalétique sur la prise d'alimentation <ul style="list-style-type: none"> • xx V : tension d'alimentation requise • max xx A : consommation maximale •  : respecter la polarité de la fiche d'alimentation •  : l'appareil doit fonctionner uniquement sur courant continu
	Ne pas jeter l'appareil avec les ordures ménagères

3.5 Marquages sur l'emballage

	Protéger de l'humidité
	Les flèches indiquent le dessus du produit Transporter et stocker en position verticale
	Fragile Ne pas jeter ni laisser tomber
	Température min. et max. admissibles pour le transport et le stockage
	Humidité de l'air min. et max. admissibles pour le transport et le stockage
	Ouvrir l'emballage ici
	Le matériel d'emballage peut être recyclé conformément aux programmes de recyclage en vigueur

4. MISE EN SERVICE DE L'APPAREIL

4.1 Éléments livrés



Pos.	Composant	Qté
a	Plateforme de pesée, avec socle de la colonne	1
b	Support d'affichage, avec unité d'affichage et câble de raccordement	1
c	Toise de mesure	1
d	Colonne (avec quatre vis préassemblées)	1
e	Douilles d'écartement	2
f	Vis à tête fendue	2
g	Vis cruciformes	2
h	Rondelles d'arrêt	4
i	Clé mâle coudée Torx T20	1
j	Piles (type AA, 1,5 V)	6
k	Mode d'emploi	1

4.2 Monter l'appareil

REMARQUE :

- Vous aurez besoin d'aide pour le montage.
- Nous recommandons de poser les composants sur le sol et de ne redresser l'appareil qu'après avoir monté la toise de mesure et la colonne.

Outils requis

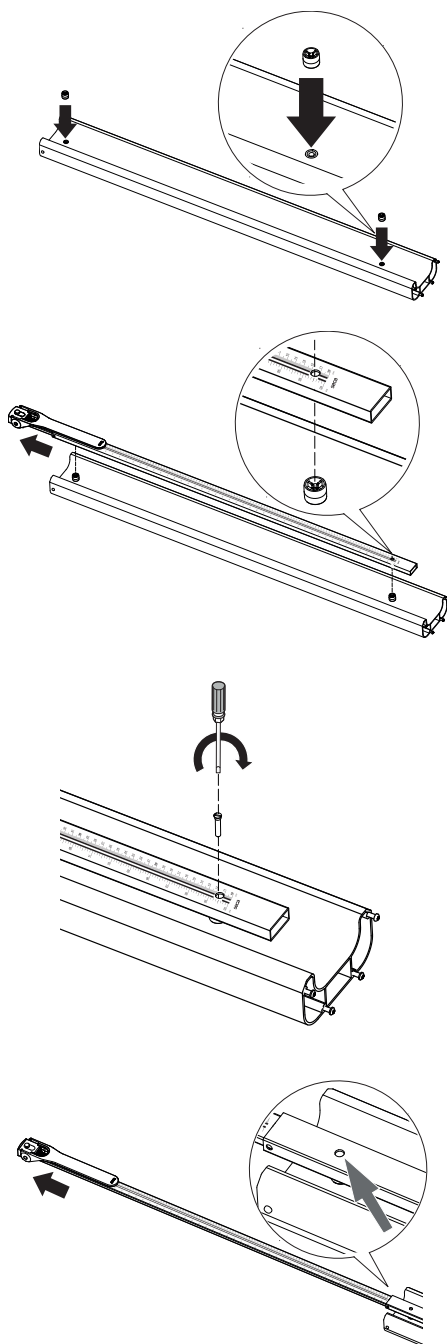
Outre les éléments livrés, vous aurez besoin des outils suivants :

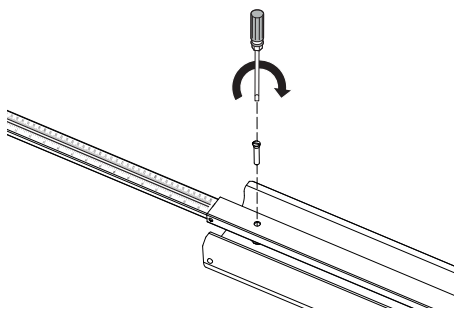
Outil	Taille
Tournevis plat	1x5,5 mm
Tournevis cruciforme	PH 2

Montage de la toise de mesure

Pour monter la toise de mesure sur la colonne, procédez comme suit :

1. Posez la colonne sur le sol.
2. Placez les douilles d'écartement sur les alésages correspondants de la colonne.
3. Tirez l'élément télescopique supérieur de la toise jusqu'à dégager l'alésage inférieur de l'élément télescopique inférieur.
4. Positionnez la toise de mesure sur les douilles d'écartement comme sur l'illustration.
5. Insérez une vis à tête fendue dans l'alésage inférieur de la toise et la douille d'écartement placée en dessous.
6. Serrez la vis à tête fendue.
7. Tirez l'élément télescopique supérieur de la toise jusqu'à dégager l'alésage supérieur de l'élément télescopique inférieur.

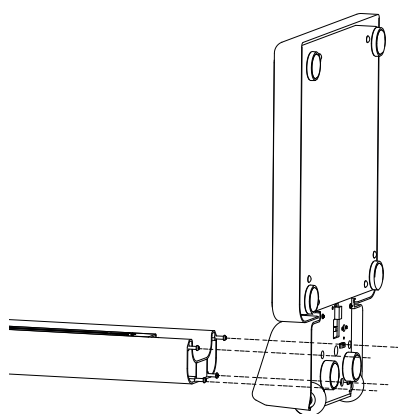




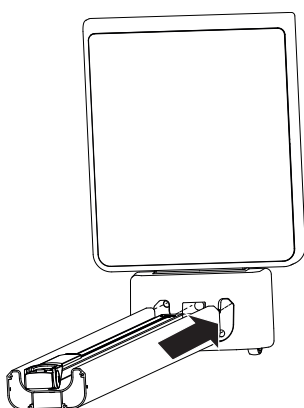
8. Insérez une vis à tête fendue dans l'alésage supérieur de la toise et la douille d'écartement placée en dessous.
9. Serrez la vis à tête fendue.
10. Repoussez l'élément télescopique supérieur sur sa position la plus basse.

Montage de la colonne

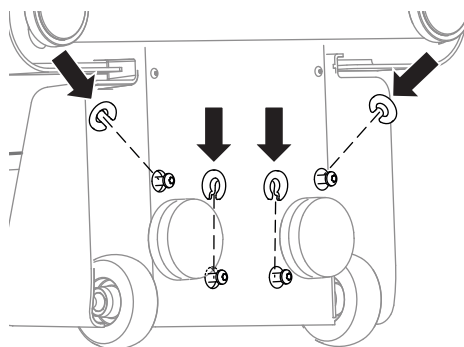
Pour monter la colonne sur la plateforme de pesée, procédez comme suit :



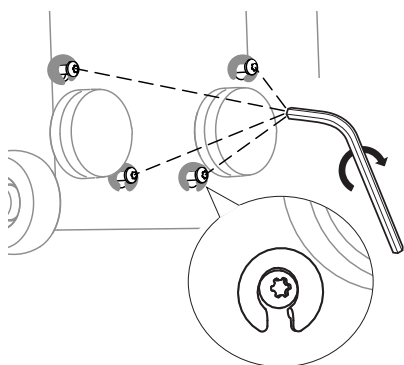
1. Posez la colonne sur le sol et positionnez la plateforme de pesée comme sur l'illustration.
2. Maintenez la plateforme de pesée en place.



3. Enfoncez la colonne équipée de la toise de mesure dans les évidements prévus à cet effet dans le socle de la colonne sur la plateforme de pesée. Les vis de la colonne ressortent sous la plateforme de pesée.



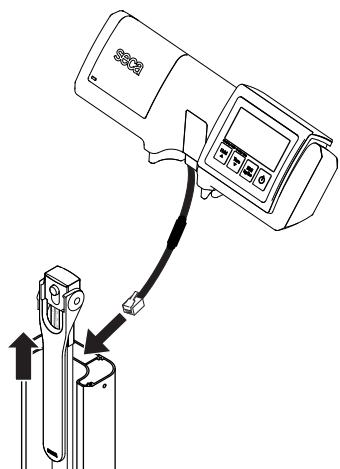
4. Insérez une rondelle d'arrêt dans chaque alésage.



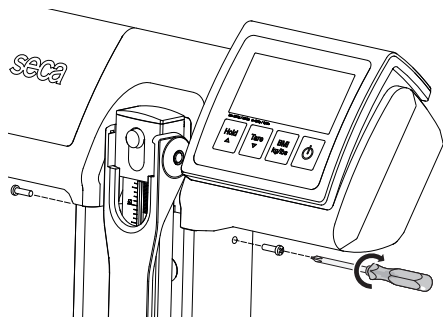
5. Resserrez les vis à l'aide de la clé mâle coudée Torx T20 fournie (couple de serrage recommandé : 3 Nm).
6. Redressez la station de mesure.

Montage du support d'affichage

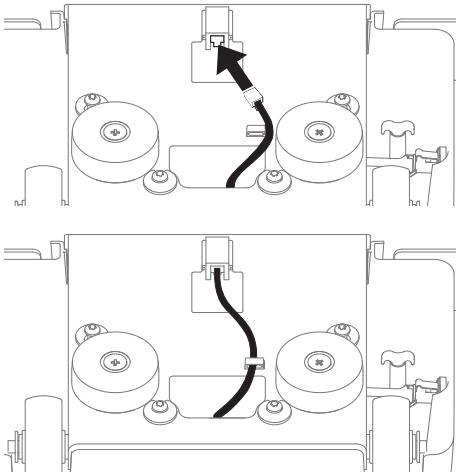
Pour monter le support d'affichage sur la colonne, procédez comme suit :



1. Tirez l'élément télescopique supérieur de la toise de mesure sur env. 10 cm.
2. Introduisez le câble de raccordement du support d'affichage dans le canal au milieu de la colonne et tirez-le jusqu'au pied de l'appareil.
3. Placez le support d'affichage sur la colonne.
4. Repoussez l'élément télescopique supérieur sur sa position la plus basse.



5. Insérez une vis cruciforme dans les deux alésages latéraux de la colonne.
6. Serrez les vis cruciformes.
7. Posez la station de mesure sur le sol en veillant à ce que l'unité d'affichage soit tournée vers le haut.



ATTENTION !

Risque de détérioration en cas de défaut de montage

Une contrainte excessive sur les câbles peut entraîner des détériorations et, par suite, des dysfonctionnements.

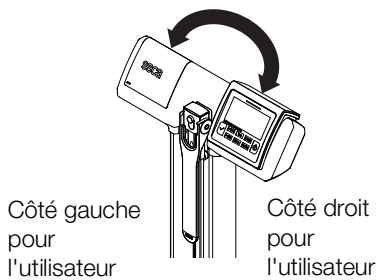
- ▶ Lors de la pose des câbles, veillez à ce que ces derniers et les fiches ne soient pas trop pliés.

8. Raccordez le câble de raccordement :
 - a) Faire sortir le câble de raccordement de la colonne
 - b) Guider le câble de raccordement à côté de l'ergot de maintien et le brancher dans la prise de la plateforme de pesée
 - c) Coincer le câble de raccordement sous l'ergot de maintien
9. Redressez la station de mesure.
10. Retirez le film protecteur de l'afficheur (si vous le souhaitez).

Permuter la position de l'unité d'affichage et du logement des piles

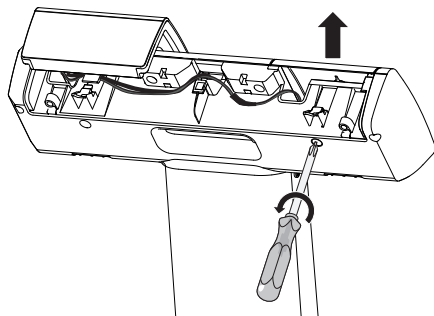
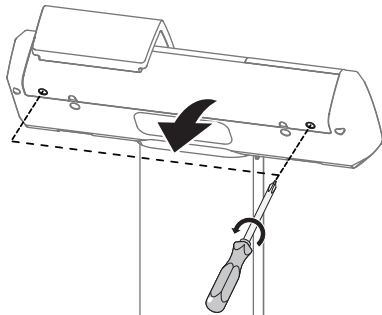
L'unité d'affichage est montée par défaut sur le côté droit du support d'affichage par rapport à l'utilisateur. Le logement des piles se trouve à gauche par rapport à l'utilisateur.

Afin de permuter la position de l'unité d'affichage et du logement des piles, procédez comme suit :



Côté gauche pour l'utilisateur

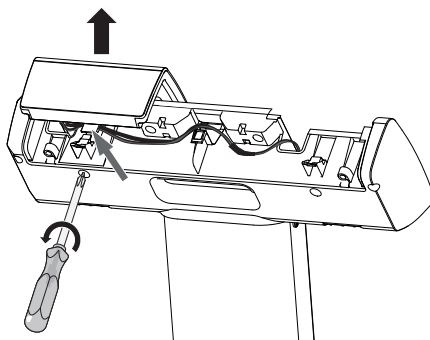
Côté droit pour l'utilisateur



1. Démontez le cache :
 - a) Dévisser les deux vis cruciformes
 - b) Retirer le cache
2. Démontez le couvercle du logement des piles :
 - a) Tenir le couvercle du logement des piles
 - b) Desserrer la vis cruciforme au dos du couvercle du logement des piles
 - c) Retirer le couvercle du logement des piles

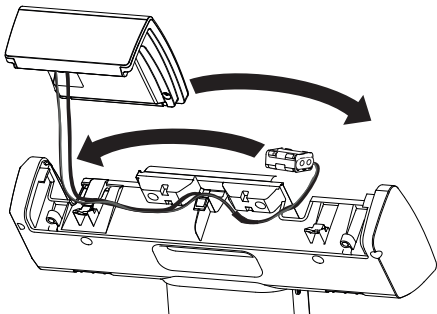
3. Démontez l'unité d'affichage :

- a) Desserrer la vis cruciforme au dos de l'unité d'affichage
- b) Si applicable, retirer l'attache au niveau de l'ergot de maintien du câble
- c) Sortir les câbles de l'ergot
- d) Soulever l'unité d'affichage



4. Permutez la position de l'unité d'affichage et du support des piles :

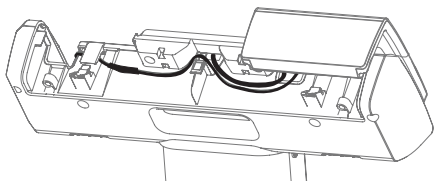
- a) Placer le support des piles à la nouvelle position
- b) Placez l'unité d'affichage avec soin à la nouvelle position



5. Disposez le câble de manière qu'il ne dépasse pas du support d'affichage.

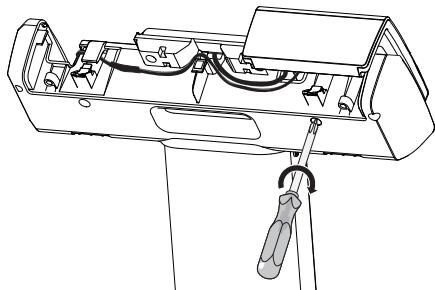
REMARQUE :

Pour le montage côté droit : vous pouvez coincer tous les câbles sous l'ergot de maintien, voire les fixer au moyen de l'attache.



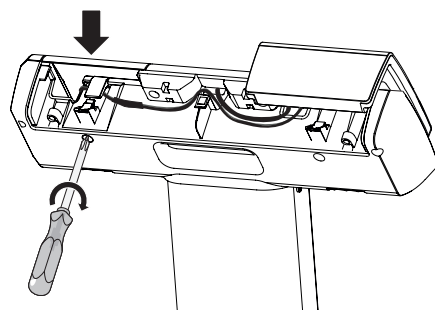
6. Montez l'unité d'affichage :

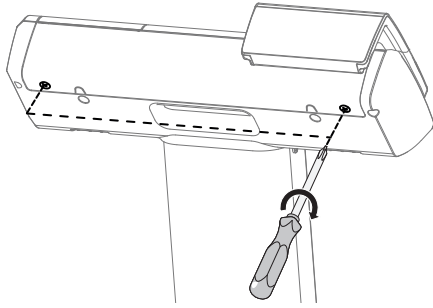
- a) Tenir l'unité d'affichage
- b) Serrer la vis cruciforme au dos de l'unité d'affichage



7. Montez le couvercle du logement des piles :

- a) Positionner le couvercle du logement des piles et le tenir
- b) Serrer la vis cruciforme au dos du couvercle du logement des piles





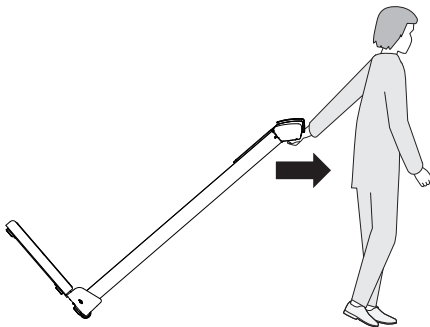
8. Montez le cache :
 - a) Installer le cache
 - b) Insérer deux vis cruciformes et les serrer

4.3 Désinfecter l'appareil

- ▶ Désinfectez les composants suivants **avant** la mise en service (→ « Désinfection », page 55) :
 - Colonne et poignée
 - Support d'affichage et unité d'affichage
 - Toise de mesure, curseur et languette de mesure
 - Plateforme de pesée
 - Main courante (accessoire optionnel)

4.4 Transporter et installer l'appareil

Transporter l'appareil



L'appareil est équipé de deux roulettes permettant de le transporter sur de courtes distances.

1. Si nécessaire, débranchez l'adaptateur secteur enfichable de la prise murale et de l'appareil.
2. Rabattez la languette de mesure vers le bas et repoussez l'élément télescopique supérieur de la toise de mesure sur sa position la plus basse.
3. Saisissez la poignée de l'appareil.

ATTENTION !

- ▶ Veillez à bien tenir l'appareil lorsque vous le transportez.
4. Inclinez l'appareil jusqu'à pouvoir le déplacer sur ses roulettes.
 5. Déplacez l'appareil lentement et faites attention aux seuils de porte.
 6. Transportez l'appareil vers son nouvel emplacement d'installation.

Installer l'appareil

ATTENTION !

Mesure erronée en cas d'emplacement et/ou de conditions ambiantes inadaptés

Les sols souples, par ex. les planchers en bois, ont tendance à céder sous le poids du patient et faussent le résultat de mesure. Les conditions ambiantes inadaptées entraînent également des erreurs de mesure.

- ▶ Choisissez un emplacement où le sol est plat et stable afin d'obtenir des résultats de mesure exacts.
- ▶ Utilisez l'appareil uniquement dans des conditions ambiantes appropriées (→ « Caractéristiques techniques », page 58).

AVERTISSEMENT !

Blessures en cas de renversement de l'appareil

Les appareils équipés d'une main courante peuvent se renverser quand le patient attrape la main courante en montant sur l'appareil ou pendant la mesure.

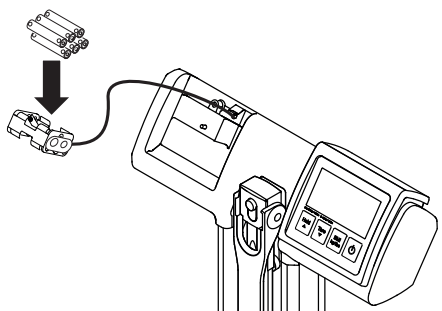
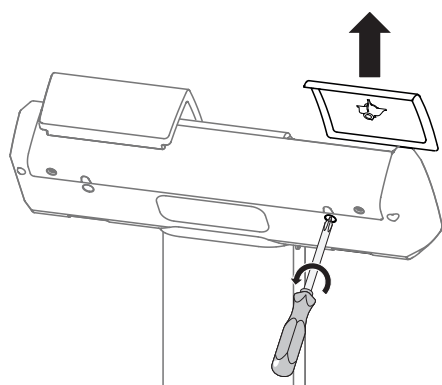
- ▶ Un appareil sur lequel une main courante est montée doit impérativement être placé de telle manière que l'arrière de l'appareil soit à 5 à 10 cm du mur (ne pas placer l'appareil directement contre le mur).

1. Positionnez l'appareil sur un sol stable et plat.
2. Si nécessaire, rebranchez l'adaptateur secteur enfichable sur l'appareil et la prise murale (→ « Brancher l'adaptateur secteur enfichable (option) », page 49).

4.5 Établir l'alimentation électrique

Insérer les piles

Vous avez besoin de 6 piles, type AA, 1,5 V. Pour établir l'alimentation électrique, procédez comme suit :



1. Ouvrez le logement des piles :
 - a) Tenir le couvercle du logement des piles
 - b) Desserrer la vis cruciforme au dos du couvercle du logement des piles
 - c) Retirer le couvercle du logement des piles

2. Insérez les piles neuves sur leur support dans le logement des piles.

REMARQUE :

- Lorsque vous remplacez les piles : jetez les piles usagées (→ « Piles et batteries », page 59).
- Veillez à respecter la polarité des piles (repères sur le support des piles). Si l'indication **bAtt** apparaît sur l'afficheur, vous avez inséré l'une des piles à l'envers ou les piles sont vides. Si vous avez inséré des piles à l'envers, retirez-les immédiatement.

3. Fermez le logement des piles :
 - a) Mettre le couvercle du logement des piles en place
 - b) Serrer la vis cruciforme au dos du couvercle du logement des piles

Brancher l'adaptateur secteur enfichable (option)

L'adaptateur secteur enfichable seca est disponible comme accessoire optionnel.



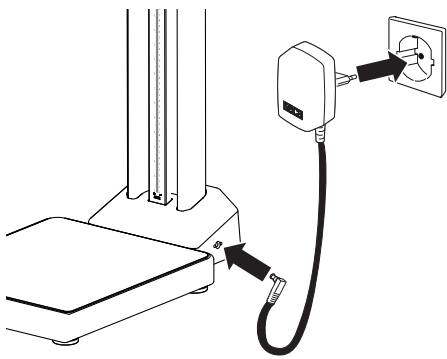
AVERTISSEMENT !

Dommages corporels et matériels en cas d'utilisation d'adaptateurs secteur inappropriés

Les adaptateurs secteur disponibles dans le commerce peuvent délivrer une tension supérieure à celle indiquée. La station de mesure risque de subir une surchauffe ou un court-circuit, de prendre feu ou de fondre.

- ▶ Utilisez exclusivement des adaptateurs secteur enfichables seca d'origine avec une tension de sortie régulée de 12 V.

La prise destinée à l'adaptateur secteur enfichable est située sur le côté du socle de la colonne. Pour établir l'alimentation électrique, procédez comme suit :



1. Branchez la fiche d'alimentation de l'adaptateur secteur enfichable sur la prise d'alimentation de la station de mesure.
2. Branchez l'adaptateur secteur enfichable sur une prise murale.

5. UTILISATION

5.1 Allumer et éteindre l'appareil

Allumer l'appareil



1. Assurez-vous qu'aucune charge ne repose sur la station de mesure.
2. Appuyez sur la touche marche/arrêt.
Tous les éléments de l'afficheur apparaissent brièvement, puis **seca** apparaît.
La station de mesure est prête à fonctionner dès que **0.0** apparaît.



Éteindre l'appareil



- ▶ Appuyez sur la touche marche/arrêt.

REMARQUE :

En fonctionnement sur piles, la station de mesure reste en veille pendant 30 secondes. En l'absence de saisie pendant ce temps de veille, ou si personne ne monte sur la plateforme de pesée, la station de mesure s'éteint automatiquement.

5.2 Changer d'unité (fonction selon la variante de modèle)



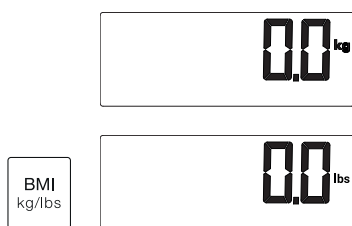
PRUDENCE !

Mise en danger du patient

Afin d'éviter de mauvaises interprétations, les résultats de mesure à des fins médicales doivent être affichés et utilisés exclusivement en unités SI (poids : kilogrammes/grammes, taille : mètres/centimètres). Certains appareils offrent la possibilité d'afficher les résultats de mesure dans d'autres unités. Cela correspond à une fonction supplémentaire.

- ▶ Utilisez les résultats de mesure exclusivement en unités SI.
- ▶ L'utilisateur est seul responsable de l'utilisation des résultats de mesure en unités autres que SI.

Pendant la mesure, vous pouvez basculer entre le kilogramme, unité du système métrique, et la livre, unité du système impérial.



1. Allumez la station de mesure (→ « Allumer l'appareil », page 50).
2. Maintenez la touche **BMI kg/lbs** enfoncée jusqu'à ce que l'unité change.

5.3 Peser le patient

Peser



ATTENTION !

Risque de blessure si la languette de mesure est mal placée

Si la languette de mesure est dépliée à hauteur du patient, il risque de se blesser.

- ▶ Assurez-vous que la languette de mesure est dépliée au-dessus du patient avant que celui-ci monte sur la plateforme de pesée.

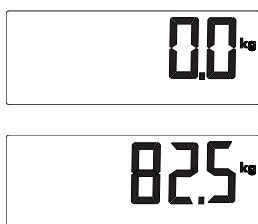


PRUDENCE !

Mesure erronée due à une dérivation de force

Si le patient touche d'autres pièces que la plateforme de pesée pendant la mesure, les résultats de mesure seront faussés.

- ▶ Veillez à ce que, pendant la mesure, le patient soit en contact uniquement avec les parties suivantes : plateforme de pesée et main courante seca 477 (le cas échéant).



1. Allumez la station de mesure (→ « Allumer l'appareil », page 50).
2. Demandez au patient de monter sur la plateforme de pesée :
 - Ne pas toucher la toise de mesure
 - Ne pas toucher la colonne ou le support d'affichage
3. Relevez le résultat de mesure.

Déduire un poids supplémentaire (Tare)

La fonction **Tare** permet d'éviter qu'un poids supplémentaire (par ex. une canne) influe sur la valeur de poids du patient.



PRUDENCE !

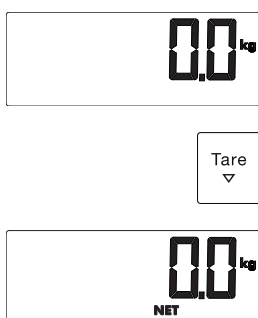
Mesure erronée due à une dérivation de force

Si un poids supplémentaire touche la surface sur laquelle repose l'appareil, les résultats de mesure sont faussés.

- ▶ Assurez-vous que les poids supplémentaires reposent uniquement sur la plateforme de pesée.

REMARQUE :

Le poids maximal affichable diminue à raison du poids des objets utilisés pour le tarage.



1. Allumez la station de mesure (→ « Allumer l'appareil », page 50).
2. Placez le poids supplémentaire sur la plateforme de pesée.
3. Maintenez la touche **Tare** ▾ enfoncée jusqu'à affichage de **NET**.
4. Attendez que l'afficheur cesse de clignoter et que **0.0** apparaisse.

REMARQUE :

Si vous retirez le poids supplémentaire, - - - - apparaît.

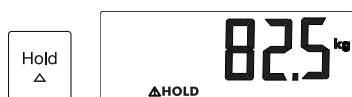


5. Demandez au patient de rejoindre le poids supplémentaire sur la plateforme de pesée (ou de monter dessus avec). Le poids du patient s'affiche. Le poids supplémentaire a été déduit automatiquement.
6. Relevez le résultat de mesure.
7. Pour désactiver la fonction **Tare**, maintenez la touche **Tare** ▽ jusqu'à ce que le message **NET** n'apparaisse plus.

REMARQUE :

Si vous éteignez la station de mesure, la fonction **Tare** sera automatiquement désactivée.

Afficher le poids en permanence (Hold)



Si vous activez la fonction **Hold**, la valeur du poids restera affiché.

1. Appuyez sur la touche **Hold** △.
L'afficheur clignote jusqu'à stabilisation du poids mesuré. La valeur du poids est affichée en permanence. Le message △ **HOLD** apparaît.
2. Relevez le résultat de mesure.
3. Pour désactiver la fonction **Hold**, appuyez sur la touche **Hold** △.

5.4 Mesurer la taille

La toise de mesure intégrée permet de déterminer la taille du patient.

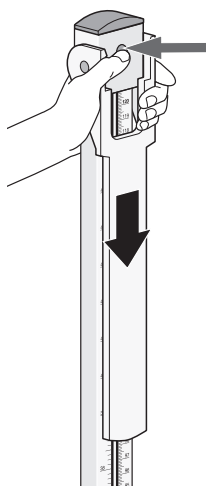
! ATTENTION !

Risque de blessure si la languette de mesure est mal placée

Si la languette de mesure est dépliée à hauteur du patient, il risque de se blesser.

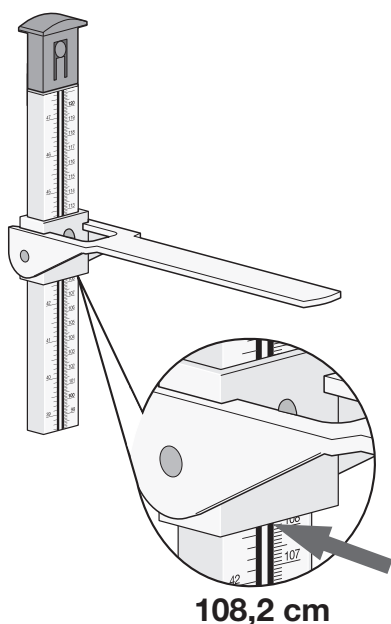
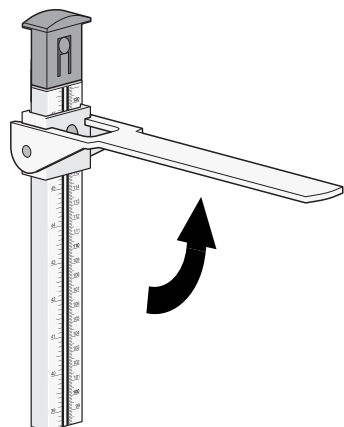
- ▶ Assurez-vous que la languette de mesure est dépliée au-dessus du patient avant que celui-ci monte sur la plateforme de pesée.

Mesurer les patients dont la taille est < 1,22 m



Lorsque vous mesurez les patients dont la taille est < 1,22 m, vous devez lire le résultat de mesure sous le curseur (ligne de lecture 1).

1. Assurez-vous que l'élément télescopique supérieur se trouve à sa position la plus basse.
2. Débloquez le curseur en appuyant au niveau du dispositif d'arrêt, puis déplacez le curseur vers le bas.



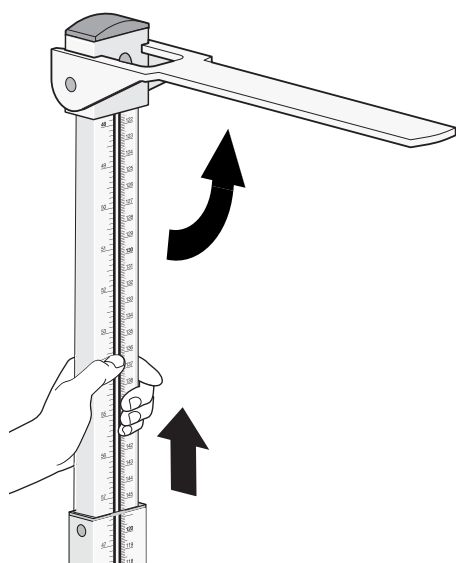
108,2 cm

3. Relevez la languette de mesure jusqu'à ce qu'elle se bloque en position horizontale.
4. Demandez au patient de se placer sous la languette de mesure :
 - Corps bien droit
 - Tête bien droite (plan horizontal de Francfort parallèle à la languette de mesure)
5. Pousser le curseur vers le bas sur l'élément télescopique inférieur jusqu'à ce que la languette de mesure repose sur la tête du patient.

6. Lisez le résultat de mesure indiqué sous le curseur (ligne de lecture 1) (ici : 108,2 cm).
Vous disposez des possibilités suivantes pour poursuivre :
 - ▶ Notez le résultat de mesure
 - ▶ Saisissez le résultat de mesure sur l'unité d'affichage (→ « Calculer l'indice de masse corporelle (IMC) et l'afficher », page 54)
7. Demandez au patient de quitter la plateforme de pesée.
8. Rabattez la languette de mesure vers le bas.
9. Tirez le curseur vers le haut jusqu'à ce qu'il vienne se bloquer dans le dispositif d'arrêt.

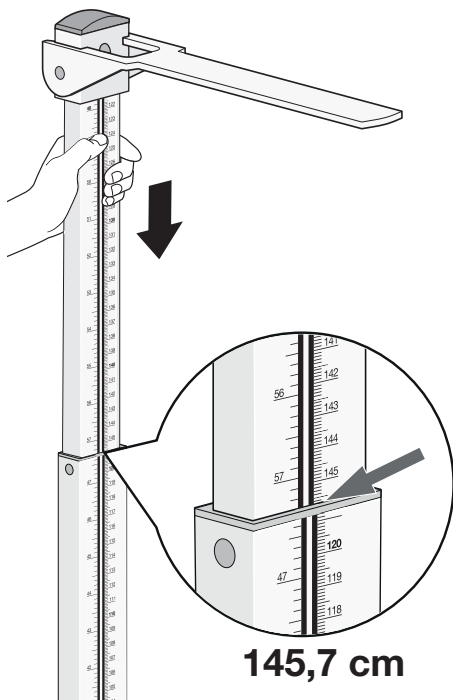
Mesurer les patients dont la taille est > 1,22 m

Lorsque vous mesurez les patients dont la taille est > 1,22 m, vous devez lire le résultat de mesure sur l'élément télescopique inférieur (ligne de lecture 2).



1. Relevez la languette de mesure jusqu'à ce qu'elle se bloque en position horizontale.
2. Tirez l'élément télescopique supérieur vers le haut jusqu'à ce que le patient puisse se tenir confortablement sous la languette de mesure.
3. Demandez au patient de se placer sous la languette de mesure :
 - Corps bien droit
 - Tête bien droite (plan horizontal de Francfort parallèle à la languette de mesure)

17-10-07-651-100b/06-2020S

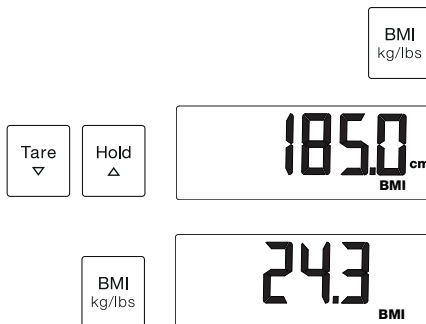


4. Poussez l'élément télescopique supérieur vers le bas jusqu'à ce que la languette de mesure repose sur la tête du patient.
5. Lisez le résultat de mesure indiqué sur l'élément télescopique inférieur (ligne de lecture 2) (ici : 145,7 cm).
Vous disposez des possibilités suivantes pour poursuivre :
 - ▶ Notez le résultat de mesure
 - ▶ Saisissez le résultat de mesure sur l'unité d'affichage (→ « Calculer l'indice de masse corporelle (IMC) et l'afficher », page 54)
6. Demandez au patient de quitter la plateforme de pesée.
7. Repoussez l'élément télescopique supérieur sur sa position la plus basse.
8. Rabattez la languette de mesure vers le bas.

5.5 Calculer l'indice de masse corporelle (IMC) et l'afficher

L'indice de masse corporelle établit un rapport entre la taille et le poids.

1. Pesez le patient (→ « Peser le patient », page 51).
2. Mesurez la taille du patient (→ « Mesurer la taille », page 52).
3. Appuyez brièvement sur la touche **BMI kg/lbs**.
La dernière taille corporelle saisie en cm et **BMI** s'affichent.
4. Avec les touches **Tare** ▽ et **Hold** △, saisissez la valeur de la taille en centimètres.
5. Appuyez brièvement sur la touche **BMI kg/lbs**.
L'IMC est calculé et s'affiche automatiquement.
6. Appuyez brièvement sur la touche **BMI kg/lbs**.
L'afficheur repasse au poids.



6. DÉCONTAMINATION



AVERTISSEMENT !

Décharge électrique

L'appareil n'est pas hors tension si le bouton marche/arrêt est enfoncé et si l'afficheur s'éteint. Si des liquides sont utilisés sur l'appareil, il existe un risque de décharge électrique.

- ▶ Avant la décontamination, assurez-vous que l'appareil est hors tension.
- ▶ Avant la décontamination, débranchez l'appareil.
- ▶ Avant la décontamination, toujours retirer la batterie de l'appareil (si applicable).
- ▶ Assurez-vous qu'aucun liquide ne pénètre dans l'appareil.

ATTENTION !

Dommages matériels

Les nettoyeurs et désinfectants inappropriés risquent d'endommager les surfaces délicates de l'appareil.

- ▶ N'utilisez pas de nettoyeurs abrasifs ni extra forts.
- ▶ N'utilisez pas de solvants organiques (par ex. de l'éthanol ou de l'essence).

6.1 Nettoyage

- ▶ Nettoyez les surfaces de l'appareil à l'aide d'un chiffon doux imbibé de lessive de savon douce le cas échéant.

6.2 Désinfection

1. Désinfectez l'appareil à intervalles réguliers avec une solution hydro-alcoolique.
2. Respecter les consignes du mode d'emploi du désinfectant.
3. Désinfectez l'appareil :
 - ▶ Humecter un chiffon doux de désinfectant et essuyer l'appareil.
 - ▶ Respecter les délais, voir tableau.

Délai	Composant
Avant chaque mesure	<ul style="list-style-type: none"> • Plateforme de pesée • Curseur et languette de mesure • Main courante (le cas échéant)
Après chaque mesure	<ul style="list-style-type: none"> • Plateforme de pesée • Curseur et languette de mesure • Main courante (le cas échéant)
Si nécessaire	<ul style="list-style-type: none"> • Colonne, unité d'affichage et support d'affichage • Éléments télescopiques de la toise de mesure • Poignée

6.3 Stérilisation

La stérilisation de l'appareil est interdite.

7. CONTRÔLE FONCTIONNEL

- ▶ Assurez-vous du bon fonctionnement de l'appareil avant chaque utilisation.

Un contrôle fonctionnel complet comporte :

- Contrôle visuel pour détecter d'éventuels signes de détérioration mécanique
- Contrôle de l'horizontalité de l'appareil
- Contrôle visuel et fonctionnel des éléments d'affichage
- Contrôle fonctionnel de tous les éléments présentés au chapitre « Aperçu »
- Contrôle fonctionnel des accessoires optionnels

Si vous constatez des erreurs ou des écarts lors du contrôle fonctionnel, essayez d'abord d'éliminer l'erreur en consultant le chapitre « Dépannage ».



PRUDENCE !

Risque de blessure

Si vous constatez des erreurs ou des écarts lors du contrôle fonctionnel, que les indications du chapitre « Dépannage » ne permettent pas de corriger, n'utilisez pas l'appareil.

- ▶ Envoyez l'appareil à réparer à seca Service ou à un partenaire S.A.V. homologué.
- ▶ Suivez les indications de la section « Maintenance » du présent document.

8. DÉPANNAGE

Défaut	Cause	Solution
Aucune valeur de poids n'apparaît malgré la présence d'une charge	L'appareil n'est pas alimenté en courant	<ul style="list-style-type: none"> • Allumer la station de mesure • Si fonctionnement sur piles : insérer des piles • Si fonctionnement sur secteur : brancher l'adaptateur secteur enfichable
0.0 n'apparaît pas avant la pesée	Une charge a été placée sur l'appareil avant la mise en marche	<ul style="list-style-type: none"> • Décharger la station de mesure • Éteindre la station de mesure, puis la rallumer
- - - - apparaît avant la pesée	Une charge a été placée sur l'appareil avant la mise en marche	<ul style="list-style-type: none"> • Décharger la station de mesure • Éteindre la station de mesure, puis la rallumer
Le poids clignote	Une valeur de poids constante n'a pas encore été détectée	<ul style="list-style-type: none"> • L'une des fonctions suivantes est active : Hold, Autohold, Tare. Attendre que la station de mesure détecte une valeur de poids constante. L'afficheur arrête de clignoter. • Décharger la station de mesure, attendre que 0.0 apparaisse et recommencer la pesée
Un segment de l'afficheur s'affiche en continu ou pas du tout	L'afficheur est défectueux	<ul style="list-style-type: none"> • Contacter seca Service
 apparaît	La tension des piles est faible	<ul style="list-style-type: none"> • Remplacer les piles
bAtt apparaît	Les piles sont vides	<ul style="list-style-type: none"> • Remplacer les piles
StOP apparaît	La charge maximale a été dépassée	<ul style="list-style-type: none"> • Décharger la station de mesure
Er:[No.]:11 apparaît	La charge se trouvant sur l'appareil est trop élevée ou l'appareil a été trop chargé sur un coin	<ul style="list-style-type: none"> • Décharger la station de mesure ou répartir le poids de manière plus uniforme • Éteindre la station de mesure, puis la rallumer • Si le problème persiste, informer seca Service
Er:[No.]:12 apparaît	L'appareil a été mis sous tension avec une charge trop élevée	<ul style="list-style-type: none"> • Décharger la station de mesure • Éteindre la station de mesure, puis la rallumer
Er:[No.]:16 apparaît	Les oscillations propres à l'appareil ont entraîné son déplacement, le point zéro n'a pas pu être déterminé	<ul style="list-style-type: none"> • Éteindre la station de mesure, puis la rallumer
Er:[No.]:32 apparaît	Une erreur de communication interne s'est produite	<ul style="list-style-type: none"> • Éteindre la station de mesure, puis la rallumer • Si le problème persiste, informer seca Service

9. MAINTENANCE

Le produit doit être installé avec soin et être entretenu régulièrement. Selon la fréquence d'utilisation, nous vous recommandons de procéder à la maintenance tous les 3 à 5 ans.



PRUDENCE !



Mesures erronées dues à une maintenance incorrecte

- ▶ Les entretiens et réparations doivent être exclusivement confiés à seca Service ou à un partenaire S.A.V. autorisé.

► Pour connaître le partenaire SAV le plus proche, rendez-vous sur le site www.seca.com ou envoyez un e-mail à service@seca.com.

10. CARACTÉRISTIQUES TECHNIQUES

10.1 Caractéristiques techniques générales

Caractéristiques techniques générales	
Dimensions <ul style="list-style-type: none"> • Profondeur • Largeur • Hauteur (toise de mesure repliée) 	576 mm 410 mm 1356 mm
Poids à vide de la station de mesure	env. 12,7 kg
Conditions ambiantes de fonctionnement <ul style="list-style-type: none"> • Température • Pression atmosphérique • Humidité de l'air 	+10 °C à +40 °C / +50 °F à 104 °F 700 – 1060 hPa 30 % – 80 % sans condensation
Conditions ambiantes de stockage <ul style="list-style-type: none"> • Température • Pression atmosphérique • Humidité de l'air 	-10 °C à +65 °C / +14 °F à 149 °F 700 – 1060 hPa 0 % – 95 % sans condensation
Conditions ambiantes de transport <ul style="list-style-type: none"> • Température • Pression atmosphérique • Humidité de l'air 	-10 °C à +65 °C / +14 °F à 149 °F 700 – 1060 hPa 0 % – 95 % sans condensation
Alimentation <ul style="list-style-type: none"> • Piles <ul style="list-style-type: none"> - Tension d'alimentation - Type de pile • Adaptateur secteur enfichable (accessoire optionnel) <ul style="list-style-type: none"> - Tension d'alimentation - Consommation maximale - Appareil à isolation renforcée, classe de protection II (EN 60601-1) 	9 V 6 x type AA, 1,5 V 12 V typiquement 500 mA 
Tension secteur	100 V – 240 V
Fréquence secteur	50 Hz – 60 Hz
Consommation	env. 37 mA
Autonomie max. en fonctionnement sur piles (port USB inactif)	env. 32 heures
Caractéristiques métrologiques, toise de mesure <ul style="list-style-type: none"> • Plage de mesure 1 • Plage de mesure 2 • Graduation • Précision 	10 cm – 122 cm (4 pouces – 48 pouces) 122 cm – 230 cm (48 pouces – 90,5 pouces) 1 mm (1/8 pouce) ± 5 mm
Dispositif médical selon la directive 93/42/CEE	Classe I avec fonction de mesurage
EN 60601-1 : appareil électromédical, type B	
Indice de protection	IP20
Mode de fonctionnement	Mode permanent

17-10-07-651-1-100b/06-2020S

10.2 Caractéristiques de pesage

Caractéristiques de pesage	
Charge maximale	250 kg / 550 lbs
Charge minimale	0,2 kg / 0,4 lbs
Graduation de précision	0,1 kg / 0,2 lbs
Étendue de tarage	jusqu'à 250 kg (déduits)
Précision	
• de 0 kg à 70 kg (de 0 lbs à 132 lbs)	± 100 g (0,22 lbs)
• de 70 kg à 250 kg (de 132 lbs à 551 lbs)	± 0,15 %

11. ACCESSOIRES OPTIONNELS ET PIÈCES DE RECHANGE

Accessoire/pièce de rechange	Référence
Adaptateur secteur à découpage : 100–240 V~ / 50–60 Hz, 12 V= / 0,5 A	68-32-10-270
Main courante seca 477 (pour seca 777 1721 004 / seca 777 1821 004)	477 0000 009

12. ÉLIMINATION

12.1 Appareil



Ne jetez pas l'appareil avec les ordures ménagères. L'appareil doit être mis au rebut en tant que déchet d'équipements électriques et électroniques, conformément aux directives en vigueur. Respectez les dispositions en vigueur dans votre pays. Pour de plus amples informations à ce sujet, veuillez contacter notre service après-vente à cette adresse :

service@seca.com

12.2 Piles et batteries



Ne jetez pas les piles et batteries usagées avec les ordures ménagères, qu'elles contiennent ou non des substances toxiques. En tant que consommateur de ces produits, vous êtes tenu par la loi de mettre au rebut les piles et les batteries via les centres de collecte de votre commune ou du commerce. Ne restituez les piles et les batteries qu'une fois ces dernières complètement déchargées.

13. GARANTIE

Une garantie de deux ans à compter de la date de livraison est accordée pour les défauts de matière ou de fabrication. Cette garantie ne s'applique pas aux pièces amovibles, comme par ex. les piles, les câbles, les adaptateurs secteur, les batteries, etc. Les défauts couverts par la garantie sont réparés gratuitement sur présentation de la facture d'achat par le client. Aucune autre demande de réparation ne peut être prise en compte. Les frais de transport sont à la charge du client si l'appareil n'est pas installé à la même adresse que celle du client. En cas de dommages dus au transport, il est uniquement possible de faire valoir la garantie si l'emballage d'origine a été utilisé dans son intégralité pour les opérations de transport et si l'appareil a été sécurisé et fixé comme dans l'emballage initial. Tous les éléments de l'emballage doivent par conséquent être conservés.

Aucun cas de garantie ne peut être invoqué si l'appareil est ouvert par des personnes qui ne sont pas explicitement autorisées par seca.

Pour les cas de garantie, veuillez vous adresser à votre filiale seca ou au revendeur auprès duquel vous avez acquis le produit.

14. DÉCLARATIONS DE CONFORMITÉ

14.1 Pour l'Europe



Nous, soussignés seca gmbh & co. kg, certifions par la présente que le produit satisfait aux dispositions des directives européennes applicables. Le texte intégral de la déclaration de conformité est disponible sous : www.seca.com.

14.2 Pour les USA et le Canada

NOTE

This device complies with Part 15 of the FCC Rules and with RSS-210 of Industry Canada. Operation is subject to the following two conditions:

- This device may not cause harmful interference.
- This device must accept any interference received, including interference that may cause undesired operation.

NOTE

Changes or modifications made to this equipment not expressly approved by seca may void the FCC authorization to operate this equipment.

NOTE

Radiofrequency radiation exposure information:

This equipment complies with FCC radiation exposure limits set forth for an uncontrolled environment. This equipment should be installed and operated with minimum distance of 1 m between the radiator and your body. This transmitter must not be co-located or operating in conjunction with any other antenna or transmitter.

ÍNDICE

1. Descripción del aparato	62		
1.1 Uso previsto	62		
1.2 Descripción del funcionamiento	62		
Estación de medición	62		
Interfaz USB	62		
1.3 Cualificación del usuario	62		
Montaje	62		
Manejo	62		
2. Información de seguridad	63		
2.1 Indicaciones de seguridad en estas instrucciones de uso	63		
2.2 Indicaciones de seguridad básicas	63		
Manejo del aparato	63		
Prevención de descargas eléctricas	64		
Prevención de lesiones e infecciones	64		
Prevención de daños en el aparato	65		
Manejo de los resultados de medición	66		
Manejo del material de embalaje	66		
Manejo con pilas y baterías	67		
3. Vista general	68		
3.1 Vista del aparato	68		
3.2 Elementos de mando de la unidad de visor	69		
3.3 Símbolos en la pantalla	70		
3.4 Indicaciones en el aparato y en la placa de identificación	70		
3.5 Indicaciones en el embalaje	71		
4. Puesta en funcionamiento del aparato	72		
4.1 Volumen de suministro	72		
4.2 Montar el aparato	73		
Herramientas necesarias	73		
Montar el tallímetro	73		
Montar la columna	74		
Montar el cabezal de visor	75		
Cambiar las posiciones de la unidad de visor y el compartimento para pilas	76		
4.3 Desinfectar el aparato	78		
4.4 Transportar y colocar el aparato	78		
Transportar el aparato	78		
Colocar el aparato	78		
4.5 Establecer el suministro de corriente	79		
Colocar las pilas	79		
Conectar la fuente de alimentación con enchufe (opcional)	79		
5. Manejo	80		
5.1 Encender y apagar el aparato	80		
Encender el aparato	80		
Apagar el aparato	80		
5.2 Cambiar las unidades de medición (dependiendo de la variante)	80		
5.3 Medir el peso	81		
Pesar	81		
Tarar peso adicional (Tare)	81		
Mostrar el peso permanentemente (Hold)	82		
5.4 Medir la altura	82		
Medir una altura < 1,22 m	82		
			Medir una altura > 1,22 m
			84
		5.5 Calcular y visualizar el índice de Masa Corporal (IMC)	84
6. Preparación higiénica	85		
6.1 Limpieza	85		
6.2 Desinfección	85		
6.3 Esterilización	86		
7. Control del funcionamiento	86		
8. Corrección de averías	87		
9. Mantenimiento	88		
10. Datos técnicos	88		
10.1 Datos técnicos generales	88		
10.2 Datos técnicos de pesaje	89		
11. Accesorios opcionales y piezas de recambio	89		
12. Eliminación	89		
12.1 Aparato	89		
12.2 Pilas y baterías	89		
13. Garantía	90		
14. Declaraciones de conformidad	90		
14.1 Para Europa	90		
14.2 Para EE. UU. y Canadá	90		

1. DESCRIPCIÓN DEL APARATO

1.1 Uso previsto

La estación de medición **seca 777** se utiliza conforme a las normas nacionales principalmente en hospitales, consultas médicas y centros de cuidado estacionarios.

La estación de medición **seca 777** sirve para determinar de forma convencional el peso y la estatura, el estado general de alimentación, y ayuda al médico responsable del tratamiento a elaborar un diagnóstico o decidir un tratamiento.

Para elaborar un diagnóstico exacto, además del registro de peso y de la altura, el médico responsable del tratamiento debe realizar más estudios sistemáticos y tener en cuenta sus resultados.

1.2 Descripción del funcionamiento

Estación de medición En la estación de medición **seca 777** el peso se registra con cuatro células de pesaje. Con el tallímetro integrado se registra la altura.
A partir de los resultados de medición se puede calcular automáticamente el Índice de Masa Corporal (IMC).

Interfaz USB Con la interfaz USB, la estación de medición **seca 777** se puede conectar a un PC utilizando un cable USB adecuado (USB 2.0, Mini-USB tipo B, longitud máx. del cable: 1,80 m). De este modo, los valores de peso indicados se pueden procesar con una solución de software propia del cliente.

1.3 Cualificación del usuario

Montaje El montaje de los aparatos que se entregan parcialmente montados solo puede encomendarse a personal suficientemente cualificado, p. ej., distribuidores, técnicos de su hospital o al seca Service.

Manejo El aparato solo puede ser manejado por personal médico especializado.

2. INFORMACIÓN DE SEGURIDAD

2.1 Indicaciones de seguridad en estas instrucciones de uso



¡PELIGRO!

Indica una situación de peligro extremadamente elevada. Si no tiene en cuenta esta indicación, se producirán graves lesiones irreversibles o mortales.



¡ADVERTENCIA!

Indica una situación de peligro extremadamente elevada. Si no tiene en cuenta esta indicación, pueden producirse graves lesiones irreversibles o mortales.



¡PRECAUCIÓN!

Indica una situación de peligro. Si no tiene en cuenta esta indicación, pueden producirse daños en el aparato o resultados erróneos de la medición.

¡ATENCIÓN!

Indica un posible manejo erróneo del aparato. Si no tiene en cuenta esta indicación, pueden producirse daños en el aparato o resultados erróneos de la medición.

NOTA:

Contiene información adicional sobre el empleo de este aparato.

2.2 Indicaciones de seguridad básicas

Manejo del aparato

- ▶ Tenga en cuenta las indicaciones de estas instrucciones de uso.
- ▶ Guarde cuidadosamente las instrucciones de uso. Las instrucciones de uso forman parte del aparato y deben estar disponibles en todo momento.
- ▶ Por la seguridad de los pacientes, usted y sus pacientes están obligados a notificar al fabricante y a las autoridades competentes de su país sucesos graves que se produzcan en relación con este producto.



¡PELIGRO!

Peligro de explosión

No utilice el aparato en un ambiente enriquecido con los siguientes gases:

- oxígeno
- agentes anestésicos inflamables
- otras sustancias/mezclas con aire inflamables



¡PRECAUCIÓN!

Peligro para el paciente, daños en el aparato

- ▶ Los aparatos adicionales que se conectan a dispositivos médicos eléctricos deben corresponder de forma demostrable a las normas IEC o ISO correspondientes (p. ej., IEC 60950 para dispositivos de procesamiento de datos). Asimismo, todas las configuraciones deben cumplir los requisitos normativos para sistemas médicos (véase IEC 60601-1-1 o apartado 16 de la edición 3.1 de IEC 60601-1, respectivamente). Quien conecta aparatos adicionales a dispositivos médicos eléctricos actúa como configurador de sistemas, por lo cual es responsable de que el sistema cumpla los requisitos normativos para sistemas. Esto también es aplicable a los aparatos adicionales que hayan sido recomendados por seca. Se hace constar que las leyes locales

tienen preferencia frente a los citados requisitos normativos. En caso de consultas, póngase en contacto con su distribuidor local o con el servicio técnico.

- ▶ Haga realizar regularmente el mantenimiento, tal como se describe en el apartado correspondiente de las instrucciones de uso del aparato.
- ▶ No están permitidas las modificaciones técnicas del aparato. El aparato no contiene elementos cuyo mantenimiento pueda ser realizado por el usuario. Los trabajos de mantenimiento y las reparaciones deben ser realizados únicamente por el equipo de servicio seca autorizado. El equipo de servicio más cercano lo encontrará en www.seca.com o enviando un correo electrónico a service@seca.com.
- ▶ Utilice únicamente accesorios y piezas de recambio seca originales. De lo contrario, seca no asume ningún tipo de garantía.



¡PRECAUCIÓN!

Peligro para el paciente, funcionamiento erróneo

- ▶ Mantenga los dispositivos médicos eléctricos, tales como los equipos quirúrgicos de alta frecuencia, a una distancia mínima de aprox. 1 metro, para evitar mediciones erróneas o interferencias en la transmisión inalámbrica.
- ▶ Mantenga los aparatos de AF, como los teléfonos móviles, a una distancia mínima de aprox. 1 metro para evitar mediciones erróneas o interferencias en la transmisión inalámbrica.
- ▶ La potencia efectiva de transmisión de los aparatos AF puede requerir distancias mínimas de más de 1 metro. Encontrará más información en www.seca.com.

Prevención de descargas eléctricas



¡ADVERTENCIA!

Electrocución

- ▶ Coloque los aparatos que pueden ser con una fuente de alimentación de forma que la toma de corriente de la red sea fácilmente accesible y se pueda realizar rápidamente una desconexión de la red de corriente.
- ▶ Asegúrese de que su suministro de red local coincide con los datos de la fuente de alimentación.
- ▶ No toque la fuente de alimentación nunca con las manos húmedas.
- ▶ No utilice cables de prolongación ni tomas múltiples.
- ▶ Preste atención a que los cables eléctricos no queden aplastados ni puedan sufrir daños por bordes afilados.
- ▶ Procure que los cables no entren en contacto con objetos calientes.
- ▶ No utilice el aparato a una altitud superior a 3000 m.

Prevención de lesiones e infecciones



¡ADVERTENCIA!

Lesiones en caso de vuelco del aparato

Los aparatos con apoyo pueden volcar si el paciente se agarra al apoyo al subir al aparato o durante la medición.

- ▶ Coloque un aparato con el apoyo montado únicamente de tal manera que la parte posterior del aparato se encuentre a una distancia de 5 a 10 cm frente a la pared (no coloque el aparato directamente en la pared).

**¡ADVERTENCIA!****Lesión por caída**

- ▶ Cerciórese de que el aparato está colocado en una superficie estable y plana.
- ▶ Coloque los cables de conexión (si lo hay) de tal manera que ni el usuario ni el paciente puedan tropezarse con ellos.
- ▶ El aparato no está previsto como ayuda para levantarse. Ayude a las personas con motricidad limitada, p. ej., al levantarse de una silla de ruedas.
- ▶ Cerciórese de que el paciente no pise la plataforma de pesaje directamente en los bordes y de que no la abandone.
- ▶ Cerciórese de que el paciente suba y baje de forma lenta y segura a la plataforma de pesaje.

**¡ADVERTENCIA!****Peligro de resbalamiento**

- ▶ Cerciórese de que la plataforma de pesaje está seca antes de que suba el paciente.
- ▶ Cerciórese de que el paciente tenga los pies secos antes de subir a la plataforma de pesaje.
- ▶ Cerciórese de que el paciente suba y baje de forma lenta y segura a la plataforma de pesaje.

**¡ADVERTENCIA!****Peligro de infección**

- ▶ Lávese las manos antes y después de cada medición para reducir el riesgo de contaminación cruzada e infecciones nosocomiales.
- ▶ Prepare higiénicamente el aparato en intervalos regulares, tal como se describe en el apartado correspondiente de este documento.
- ▶ Cerciórese de que el paciente no sufre ninguna enfermedad contagiosa.
- ▶ Cerciórese de que el paciente no tiene heridas abiertas o infecciones cutáneas que puedan entrar en contacto con el aparato.

Prevención de daños en el aparato**¡ATENCIÓN!****Daños en el aparato**

- ▶ Preste atención a que no puedan penetrar nunca líquidos al interior del aparato. En este caso podría quedar destruido el sistema electrónico.
- ▶ Desconecte el aparato antes de retirar la fuente de alimentación de la toma de corriente.
- ▶ Para aparatos con funcionamiento con alimentación de red: Retire la fuente de alimentación de la toma de corriente si no utilizará el aparato durante un tiempo prolongado. Solo así está asegurado que el aparato esté sin corriente.
- ▶ Para aparatos con funcionamiento por pilas o batería: Si el aparato no se utiliza durante un largo periodo de tiempo, retire las pilas o las baterías. Solo así está asegurado que el aparato esté sin corriente.
- ▶ No deje que el aparato se caiga.
- ▶ Evite impactos fuertes o vibraciones en el aparato.
- ▶ Controle en intervalos regulares el funcionamiento, tal como se describe en el apartado correspondiente de este documento. No utilice el aparato si no funciona correctamente o está dañado.

- ▶ No exponga el aparato a la luz solar directa y preste atención a que no se encuentren fuentes de calor en la proximidad inmediata. Las temperaturas excesivas podrían dañar el sistema electrónico.
- ▶ Evite fluctuaciones rápidas de la temperatura. Si el aparato es transportado de manera que experimenta unas diferencias de temperatura de más de 20 °C, se tiene que dejar reposar durante un mínimo de 2 horas antes de conectarlo. De lo contrario, se forma condensación que puede dañar el sistema electrónico.
- ▶ Utilice el aparato exclusivamente con las condiciones ambientales previstas.
- ▶ Guarde el aparato exclusivamente en las condiciones de almacenamiento previstas.
- ▶ No utilice productos de limpieza corrosivos o abrasivos.
- ▶ No utilice disolventes orgánicos (p. ej., alcohol o gasolina).

Manejo de los resultados de medición



¡PRECAUCIÓN!

Peligro para el paciente

Para evitar interpretaciones erróneas, los resultados de la medición solo pueden indicarse y utilizarse exclusivamente para fines médicos en unidades SI (peso: kilogramos/gramos, longitud: metros/centímetros). Algunos aparatos ofrecen la posibilidad de mostrar los resultados de la medición en otras unidades. Esta es únicamente una función adicional.

- ▶ Utilice los resultados de la medición en unidades SI exclusivamente.
- ▶ Es usuario es responsable único de la utilización de los resultados de la medición en unidades que no sean SI.

¡ATENCIÓN!

Resultados de medición incoherentes

- ▶ Antes de almacenar electrónicamente y seguir utilizando los valores de medición calculados con este aparato (por ejemplo, en un software de PC seca o en un sistema de información), asegúrese de que los valores de medición sean plausibles.
- ▶ Si se han transmitido valores de medición a un software de PC seca o a un sistema de información, asegúrese antes de utilizarlo de que los valores de medición sean plausibles y se hayan asignado al paciente correcto.

Manejo del material de embalaje



¡ADVERTENCIA!

Peligro de asfixia

Los materiales de embalaje de lámina de plástico (bolsas) representan un peligro de asfixia.

- ▶ Conserve el material de embalaje fuera del alcance de los niños.
- ▶ Si ya no estuviera disponible el material de embalaje original, utilice únicamente bolsas de plástico con perforaciones de seguridad para reducir el peligro de asfixia. En la medida de lo posible, utilice materiales reutilizables.

NOTA:

Conserve el material de embalaje original para el uso posterior (p. ej., envío para el mantenimiento).

Manejo con pilas y baterías**¡ADVERTENCIA!****Daños personales debido a un manejo inadecuado**

Las pilas y los acumuladores contienen sustancias nocivas que con un manejo inadecuado se pueden liberar de forma explosiva.

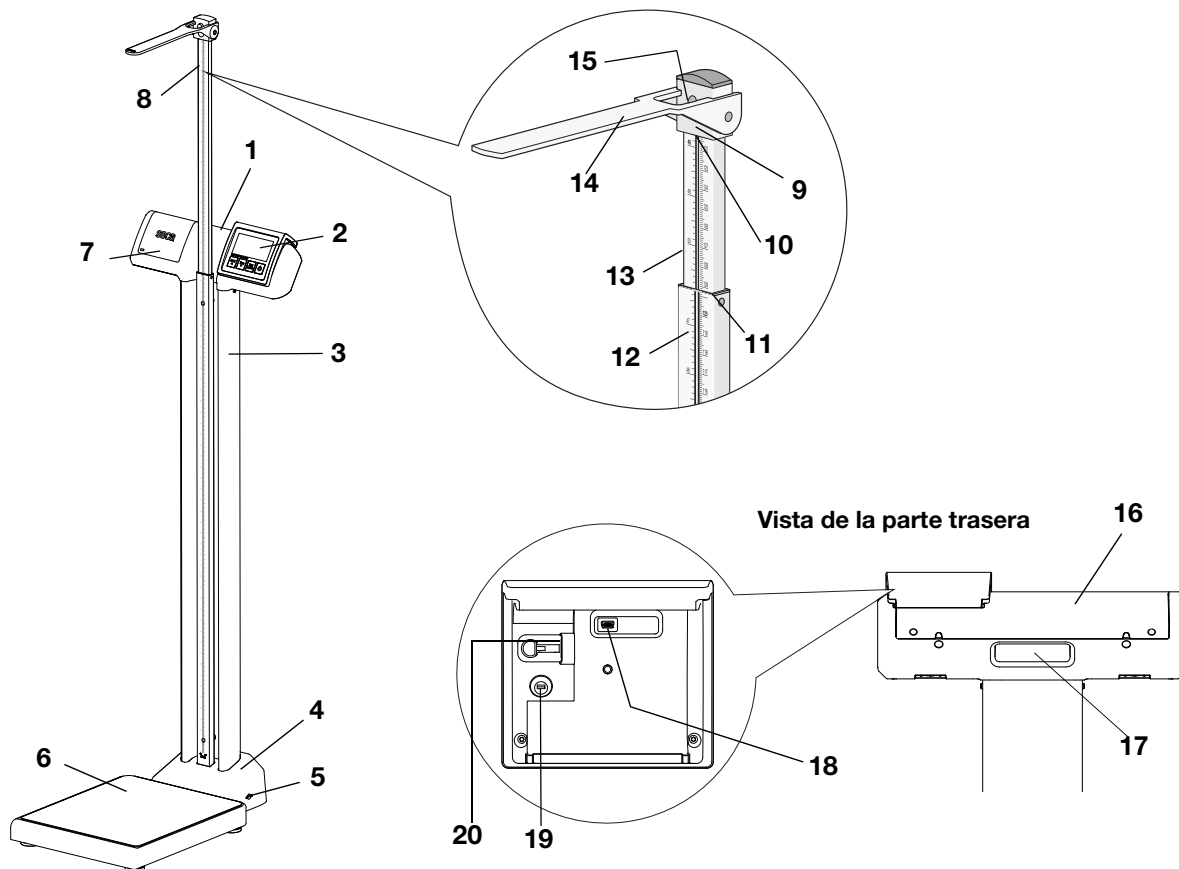
- ▶ No intente recargar las pilas.
- ▶ No caliente las pilas/baterías.
- ▶ No queme las pilas/baterías.
- ▶ Si se escapa ácido, evite el contacto con la piel, ojos y mucosas. Aclare con abundante agua las zonas corporales afectadas y acuda a un médico inmediatamente.

¡ATENCIÓN!**Daños en el aparato y funcionamiento erróneo debido a un manejo inapropiado**

- ▶ Utilice únicamente el tipo de pila/batería indicado en este documento.
- ▶ Cambie siempre al mismo tiempo todas las pilas/baterías.
- ▶ No ponga en cortocircuito las pilas/baterías.
- ▶ Si el aparato no se utiliza durante un largo periodo de tiempo, retire las pilas/baterías. Así se evita que entre ácido en el aparato.
- ▶ Si hubiera penetrado ácido en el aparato, no vuelva a utilizarlo. Haga comprobar y, en caso necesario, reparar el aparato por un equipo de servicio seca autorizado.

3. VISTA GENERAL

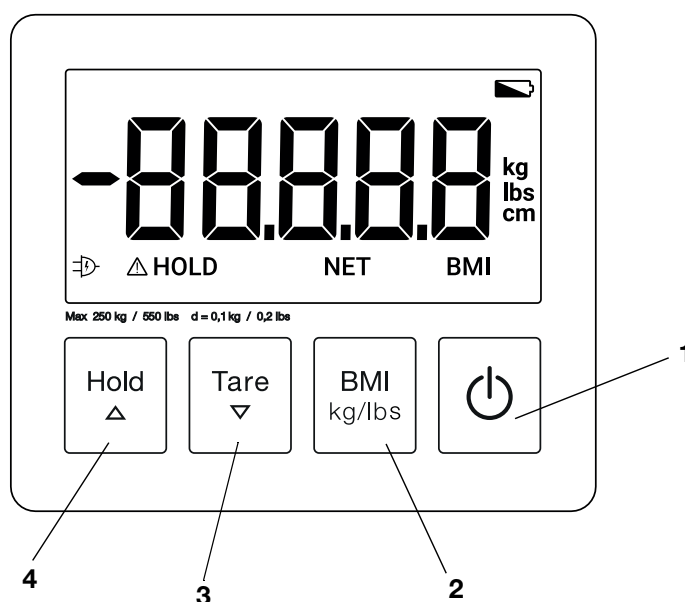
3.1 Vista del aparato





Pos.	Componente del aparato	Función
1	Cabezal de visor	Sirve como elemento de soporte para la unidad de visor y como carcasa para los cables y las pilas
2	Unidad de visor	Sirve como elemento central de visualización y manejo
3	Columna	Sirve como elemento de soporte para el cabezal de visor y el tallímetro
4	Alojamiento de la columna	Sirve como elemento de soporte para la columna
5	Hembrilla de conexión a la red	Sirve para conectar una fuente de alimentación con enchufe de seca
6	Plataforma de pesaje	Sirve para pesar a los pacientes
7	Compartimento para pilas	Sirve para alojar las pilas del tipo AA, de 1,5 voltios
8	Tallímetro	Sirve para medir la altura
9	Corredera para la cabeza	Sirve para deslizar la lengüeta de medición sobre el elemento telescópico inferior
10	Canto de lectura 1	Sirve para leer resultados de medición en el rango de medición 1
11	Canto de lectura 2	Sirve para leer resultados de medición en el rango de medición 2
12	Elemento telescópico inferior	Sirve para medir la altura en el rango de medición 1: hasta 1,22 m

Pos.	Componente del aparato	Función
13	Elemento telescópico superior	Sirve para medir la altura en el rango de medición 2: a partir de 1,22 m
14	Lengüeta de medición	Sirve como tope para la cabeza, para medir la altura
15	Bloqueo	Sirve para bloquear y desbloquear la corredera para la cabeza
16	Cubierta	Sirve para tapar los cables
17	Asidero	Sirve para transportar la estación de medición
18	Interfaz USB	Sirve para transmitir los valores de peso indicados a una solución de software propia del cliente (si tiene alguna pregunta, diríjase al seca Service)
19	Hembra para el cable de la batería	Sirve para conectar el cable de la batería
20	Hembra para el cable de conexión	Sirve para conectar el cable de conexión

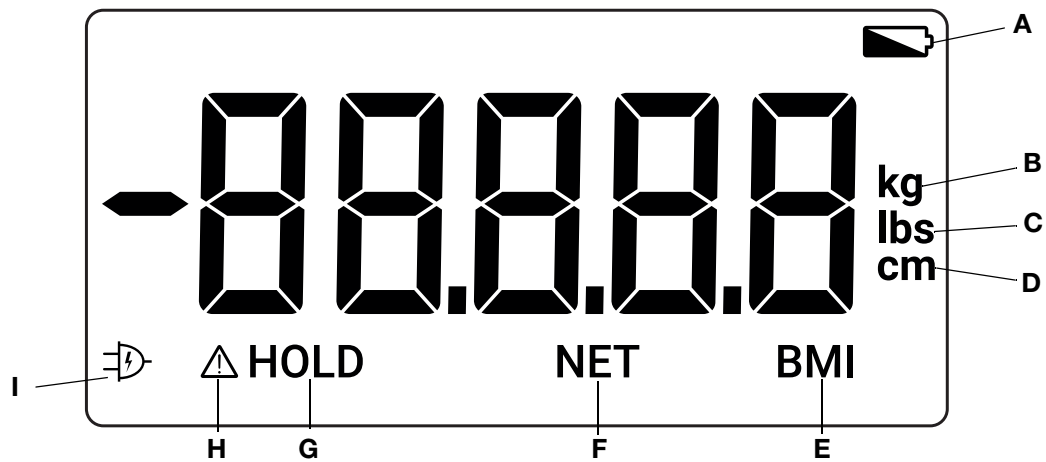
3.2 Elementos de mando de la unidad de visor






Pos.	Elemento de mando	Función
1		Tecla CON/DES - Encender y apagar el aparato
2		Tecla BMI kg/lbs <ul style="list-style-type: none"> • Durante el proceso de medición: <ul style="list-style-type: none"> - Activar el modo IMC (pulse brevemente) - Cambiar entre las unidades kilogramo y libra (mantenga pulsado) (la función depende de la variante) • En el modo IMC: <ul style="list-style-type: none"> - Confirmar el valor de la estatura y visualizar el IMC (pulse brevemente) - Salir del modo IMC (vuelva a pulsar brevemente)


Pos.	Elemento de mando	Función
3		Tecla Tare ▽ <ul style="list-style-type: none"> • Durante el proceso de medición: <ul style="list-style-type: none"> - Activar/desactivar la función Tare • En el modo IMC: <ul style="list-style-type: none"> - Reducir el valor de la estatura
4		Tecla Hold △ <ul style="list-style-type: none"> • Durante el proceso de medición: <ul style="list-style-type: none"> - Activar/desactivar la función Hold • En el modo IMC: <ul style="list-style-type: none"> - Aumentar el valor de la estatura






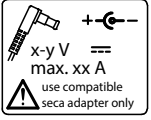
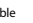
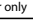

3.3 Símbolos en la pantalla






Pos.	Símbolo	Significado
A		Las pilas tienen poca carga
B	kg	Valor del peso en kilogramos
C	lbs	Valor del peso en libras
D	cm	Altura en centímetros
E	BMI	Índice de Masa Corporal
F	NET	Peso adicional tarado (Tare)
G	HOLD	El valor del peso se muestra de forma permanente (Hold)
H		Función no calibrable activa
I		Funcionamiento con fuente de alimentación

3.4 Indicaciones en el aparato y en la placa de identificación

Texto/símbolo	Significado
	Nombre y dirección del fabricante, fecha de fabricación
REF	Número del modelo

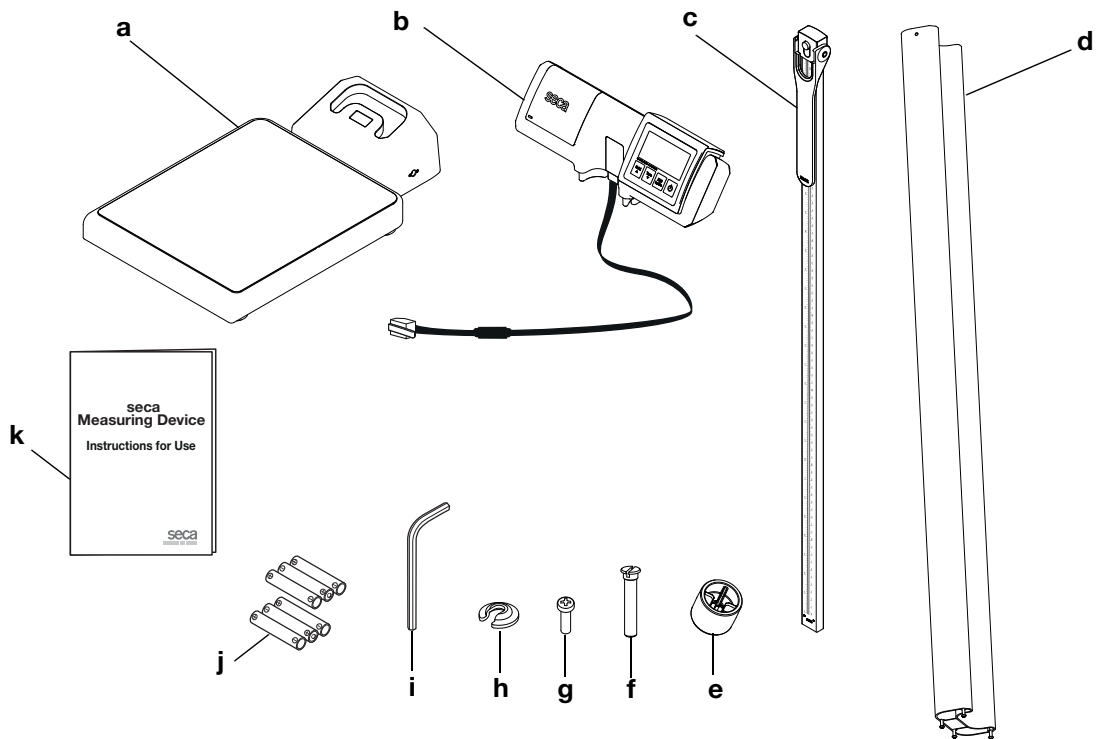
Texto/símbolo	Significado
	Número de serie, correlativo
ProdID	Número de identificación del producto, correlativo
Approval Type	Denominación de tipo de la homologación
	Tenga en cuenta las instrucciones de uso
	Aparato electromédico, tipo B
d	Valor en unidades de masa (modelos no calibrados) Indique la diferencia entre dos valores de indicación consecutivos
	El aparato cumple las directivas de la UE
	Símbolo de la FCC (EE. UU.)
FCC ID	Para los EE. UU.: número de autorización del aparato en la oficina de la Comisión Federal de Comunicaciones de EE. UU. (FCC)
IC	Para Canadá: número de autorización del aparato en la oficina Industry Canada
	Placa de identificación de la hembra de conexión a la red <ul style="list-style-type: none"> • xx V: tensión de alimentación necesaria • máx. xx A: consumo máximo de electricidad •  : observe la polaridad de la clavija del aparato •  : utilice el aparato con corriente continua
	No elimine el aparato con la basura doméstica

3.5 Indicaciones en el embalaje

	Protegerlo de la humedad
	Las flechas señalan la parte superior del producto Debe transportarse y almacenarse derecho
	Frágil No arrojarlo ni dejarlo caer
	Temperatura mín. y máx. autorizada para el transporte y el almacenamiento
	Humedad atmosférica mín. y máx. autorizada para el transporte y el almacenamiento
	Abrir el embalaje por aquí
	El material del embalaje se puede eliminar mediante programas de reciclaje

4. PUESTA EN FUNCIONAMIENTO DEL APARATO

4.1 Volumen de suministro



Pos.	Componente	Uds.
a	Plataforma de pesaje con alojamiento de la columna	1
b	Cabezal de visor con unidad de visor y cable de conexión	1
c	Tallímetro	1
d	Columna (con cuatro tornillos preinstalados)	1
e	Casquillos distanciadores	2
f	Tomillos de cabeza ranurada	2
g	Tomillos de cabeza en cruz	2
h	Arandelas de seguridad	4
i	Destornillador acodado T20	1
j	Pilas (tipo AA, 1,5 voltios)	6
k	Instrucciones de uso	1

4.2 Montar el aparato

NOTA:

- Realice el montaje con ayuda de otra persona.
- Recomendamos colocar los componentes en el suelo y enderezar el aparato después de haber montado el tallímetro y la columna.

Herramientas necesarias

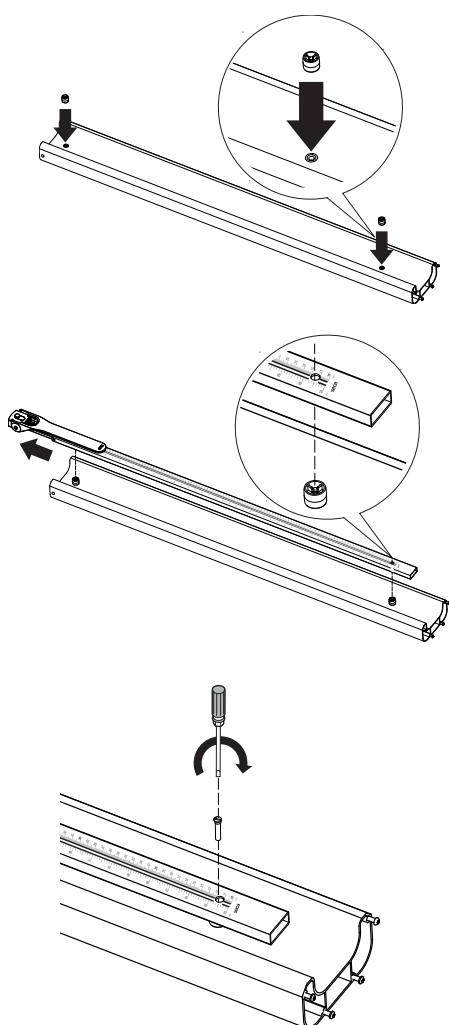
Además de las incluidas en el volumen de suministro, necesitará las herramientas siguientes:

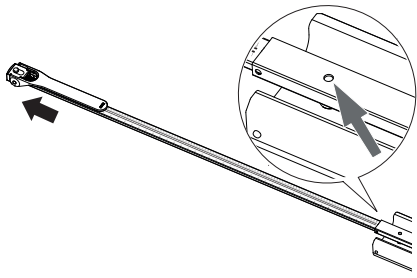
Herramienta	Tamaño
Destornillador de cabeza ranurada	1x5,5 mm
Destornillador de cabeza en cruz	PH 2

Montar el tallímetro

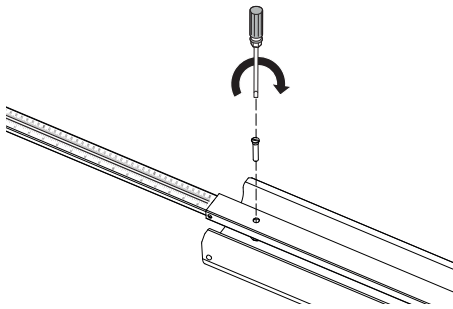
Para montar el tallímetro en la columna, proceda del modo siguiente:

1. Coloque la columna en el suelo.
2. Ponga los casquillos distanciadores en los orificios de la columna.
3. Saque el elemento telescópico superior lo suficiente para que el orificio de montaje inferior quede libre en el elemento telescópico inferior.
4. Coloque el tallímetro sobre los casquillos distanciadores, como se muestra en la imagen.
5. Ponga un tornillo de cabeza ranurada en el orificio de montaje inferior y el casquillo distanciador situado debajo.
6. Apriete el tornillo de cabeza ranurada.





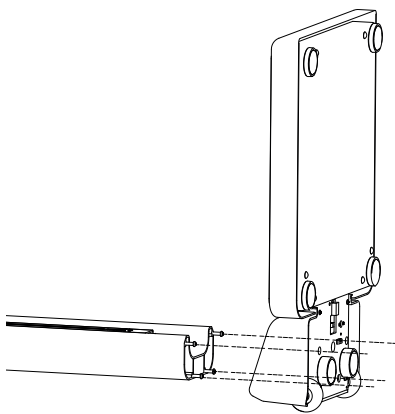
7. Saque el elemento telescópico superior lo suficiente para que el orificio de montaje superior quede libre en el elemento telescópico inferior.



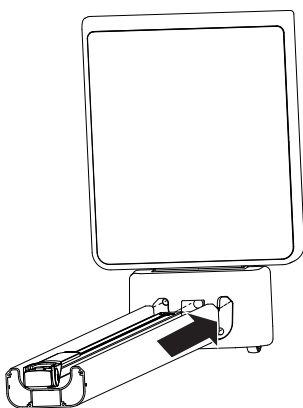
8. Ponga un tornillo de cabeza ranurada en el orificio de montaje superior y el casquillo distanciador situado debajo.
9. Apriete el tornillo de cabeza ranurada.
10. Deslice el elemento telescópico hasta la posición más baja.

Montar la columna

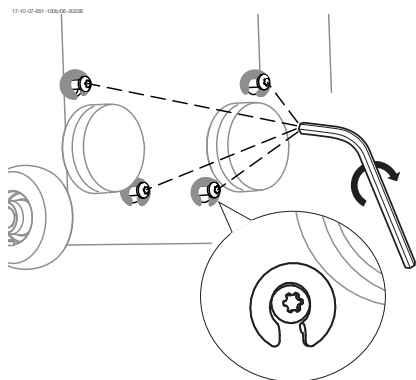
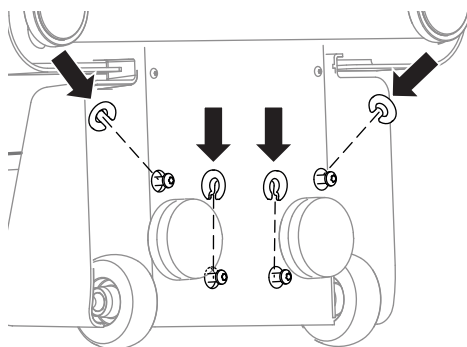
Para montar la columna en la plataforma de pesaje, proceda del modo siguiente:



1. Coloque la columna en el suelo y ponga la plataforma de pesaje en la posición que se muestra en la imagen.
2. Sujete firmemente la plataforma de pesaje.



3. Introduzca la columna con el tallímetro en las entalladuras del alojamiento de la columna, situado en la plataforma de pesaje.
Los tornillos de la columna sobresalen en la parte inferior de la plataforma de pesaje.

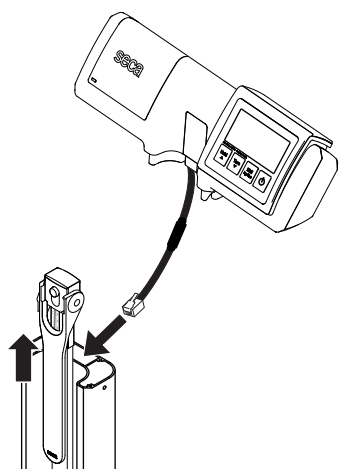


4. Coloque una arandela de seguridad en cada orificio de los tornillos.

5. Apriete los tornillos con el destornillador acodado T20 incluido (par de apriete recomendado: 3 Nm).

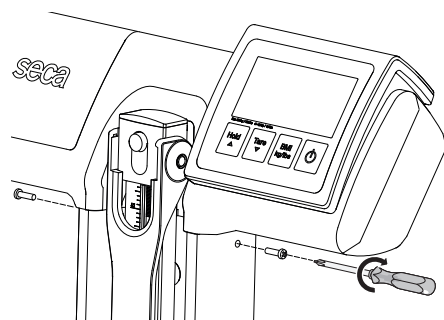
6. Coloque la estación de medición en posición vertical.

Montar el cabezal de visor



Para montar el cabezal de visor en la columna, proceda del modo siguiente:

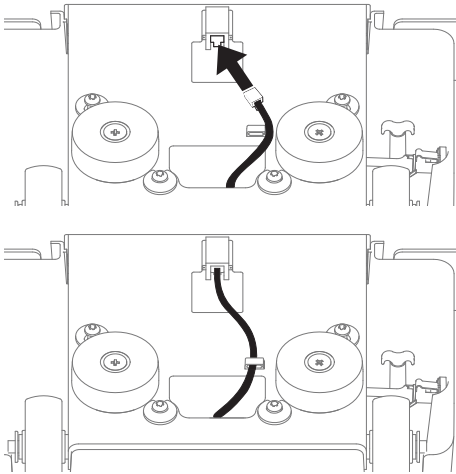
1. Saque el elemento telescópico superior del tallímetro aprox. 10 cm.
2. Pase el cable de conexión del cabezal de visor a través del canal central de la columna, hasta la parte inferior del aparato.
3. Instale el cabezal de visor en la columna.
4. Deslice el elemento telescópico hasta la posición más baja.



5. Coloque un tornillo de cabeza en cruz en cada uno de los orificios de la columna.

6. Apriete los tornillos de cabeza en cruz.

7. Coloque la estación de medición horizontalmente en el suelo, con la unidad de visor hacia arriba.



¡ATENCIÓN!

Se pueden producir daños si se monta incorrectamente

Si los cables se doblan demasiado, pueden dañarse y producirse fallos de funcionamiento.

- ▶ Coloque todos los cables de modo que no estén demasiado curvados y que no se doblen los conectores.

8. Enchufe el cable de conexión:
 - a) Sacar el cable de conexión de la columna
 - b) Pasar el cable de conexión junto al clip para cables y conectarlo a la hembra en la plataforma de pesaje
 - c) Fijar el cable de conexión con el clip para cables
9. Coloque la estación de medición en posición vertical.
10. Quite la lámina de recubrimiento de la pantalla (si lo desea).

Cambiar las posiciones de la unidad de visor y el compartimento para pilas

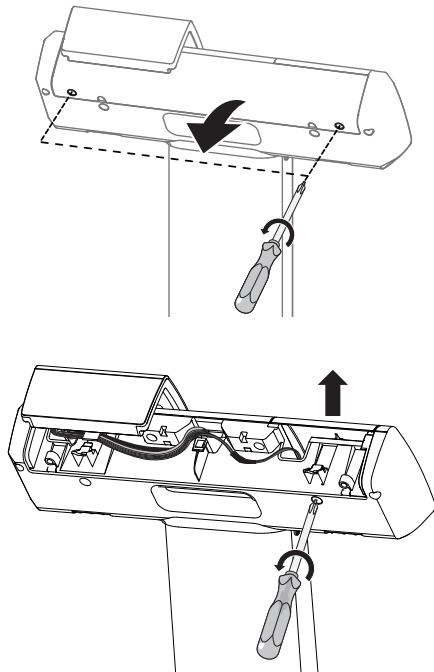
La unidad de visor está montado de fábrica en el lado de manejo a la derecha del cabezal de visor. El compartimento para pilas se encuentra en el lado de manejo a la izquierda.

Para intercambiar las posiciones de la unidad de visor y el compartimento para pilas, proceda del modo siguiente:

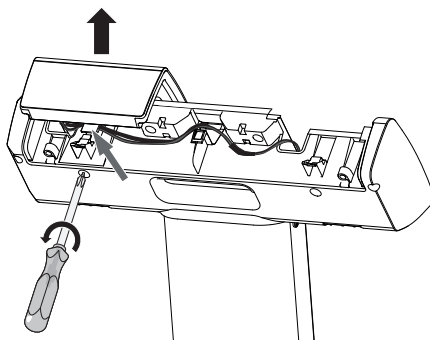


lado de
manejo a la
izquierda

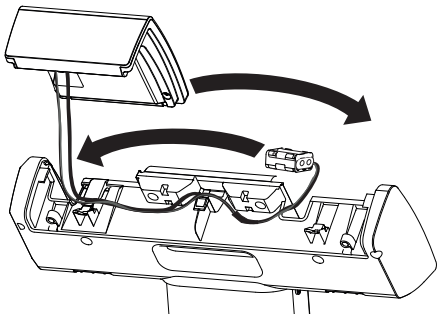
lado de
manejo a la
derecha



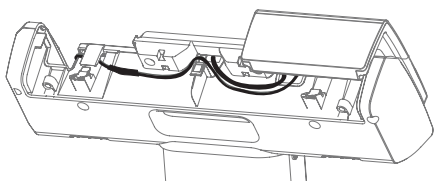
1. Desmonte la cubierta:
 - a) Desenrosque dos tornillos con cabeza en cruz
 - b) Quite la cubierta
2. Desmonte la tapa del compartimento para las pilas:
 - a) Sujete la tapa del compartimento para las pilas
 - b) Afloje el tornillo con cabeza en cruz detrás de la tapa del compartimento para las pilas
 - c) Quite la tapa del compartimento para las pilas



3. Desmonte la unidad de visor:
 - a) Afloje el tornillo de cabeza en cruz situado detrás de la unidad de visor
 - b) Dado el caso, quite el sujetacables de la lengüeta de sujeción de los cables
 - c) Saque los cables de la lengüeta de sujeción de los cables
 - d) Levante la unidad de visor



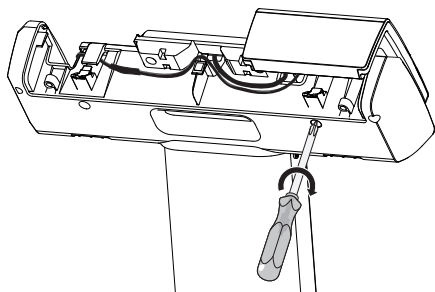
4. Intercambie las posiciones de la unidad de visor y el soporte de las pilas:
 - a) Coloque el soporte de las pilas en la nueva posición
 - b) Con cuidado, coloque la unidad de visor en la nueva posición



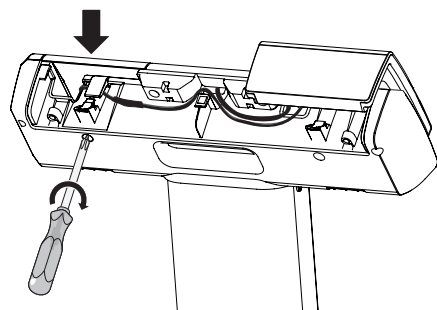
5. Coloque los cables de forma que no sobresalgan del cabezal de visor.

NOTA:

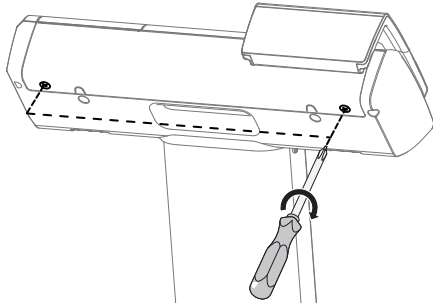
En caso de montaje en el lado de manejo a la derecha: Puede enganchar todos los cables en la lengüeta de sujeción de los cables y, en caso necesario, fijarlos con un sujetacables.



6. Monte la unidad de visor:
 - a) Sujete la unidad de visor
 - b) Apriete el tornillo de cabeza en cruz situado detrás de la unidad de visor



7. Monte la tapa del compartimento para las pilas:
 - a) Instale la tapa del compartimento para las pilas y sujétela
 - b) Apriete el tornillo con cabeza en cruz detrás de la tapa del compartimento para las pilas



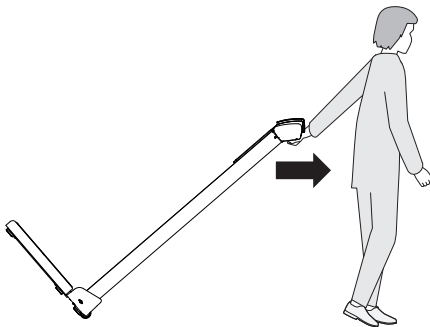
8. Monte la cubierta:
 - a) Instalar la cubierta
 - b) Coloque los dos tornillos de cabeza en cruz y apriételes

4.3 Desinfectar el aparato

- ▶ Desinfecte los siguientes componentes **antes** de la primera puesta en marcha (→ “Desinfección”, página 85):
 - Columna y asidero
 - Cabezal de visor y unidad de visor
 - Tallímetro, corredera para la cabeza con lengüeta de medición
 - Plataforma de pesaje
 - Apoyo (accesorio opcional)

4.4 Transportar y colocar el aparato

Transportar el aparato



El aparato está equipado con dos ruedas que permiten transportarlo a cortas distancias.

1. En caso necesario, desconecte la fuente de alimentación con enchufe de la toma de corriente y del aparato.
2. Pliegue hacia abajo la lengüeta de medición y deslice el elemento telescópico superior del tallímetro hasta la posición más baja.
3. Sujete el aparato por el asidero.



¡PRECAUCIÓN!

Lesiones en caso de vuelco del aparato

- ▶ Asegúrese de sujetar bien el aparato al transportarlo.
4. Incline el aparato hasta que se pueda mover libremente sobre las ruedas.
 5. Mueva el aparato despacio y con cuidado cuando atraviere el umbral de alguna puerta.
 6. Transporte el aparato al nuevo lugar de instalación.

Colocar el aparato



¡PRECAUCIÓN!

Se pueden producir mediciones erróneas si se instala el aparato en un lugar incorrecto o con unas condiciones ambientales incorrectas

Los suelos blandos (por ejemplo, tarimas de madera) ceden con el peso del paciente y alteran el resultado de medición. Las condiciones ambientales incorrectas provocan errores de medición.

- ▶ Para obtener resultados de medición exactos, seleccione un lugar de instalación adecuado, con un suelo plano y firme.
- ▶ Utilice el aparato exclusivamente en las condiciones ambientales previstas (→ “Datos técnicos”, página 88).

**¡ADVERTENCIA!****Lesiones en caso de vuelco del aparato**

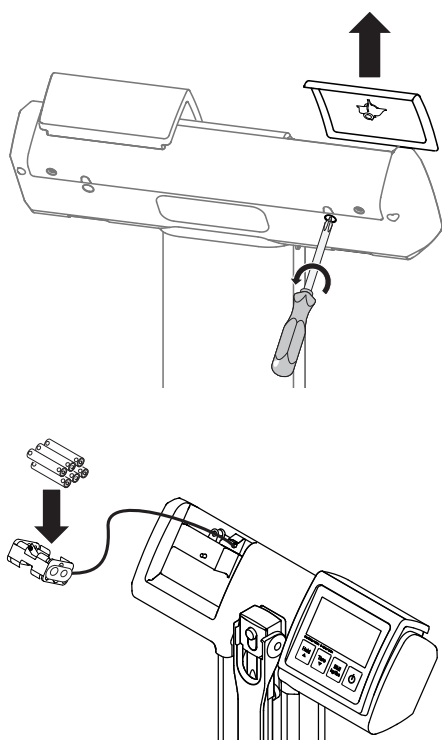
Los aparatos con apoyo pueden volcar si el paciente se agarra al apoyo al subir al aparato o durante la medición.

- ▶ Coloque un aparato con el apoyo montado únicamente de tal manera que la parte posterior del aparato se encuentre a una distancia de 5 a 10 cm frente a la pared (no coloque el aparato directamente en la pared).

1. Coloque el aparato sobre una base firme y plana.
2. En caso necesario, conecte la fuente de alimentación con enchufe al aparato y a la toma de corriente (→ “Conectar la fuente de alimentación con enchufe (opcional)”, página 79).

4.5 Establecer el suministro de corriente

Colocar las pilas



Se necesitan seis pilas del tipo AA, de 1,5 voltios. Para establecer el suministro de corriente, proceda de la siguiente manera:

1. Abra el compartimento para pilas:
 - a) Sujete la tapa del compartimento para las pilas
 - b) Afloje el tornillo con cabeza en cruz detrás de la tapa del compartimento para las pilas
 - c) Quite la tapa del compartimento para las pilas
2. Coloque las pilas nuevas en el soporte situado en el compartimento para pilas.

NOTA:

- Cuando cambie las pilas: Elimine las pilas viejas (→ “Pilas y baterías”, página 89).
- Tenga en cuenta los polos correctos de las pilas (marcados en el soporte de las pilas). Si en la pantalla aparece la indicación **bAtt**, puede que haya colocado una de las pilas en la posición contraria o que las pilas estén gastadas. Si las pilas se colocan en la posición contraria se deben retirar inmediatamente.

3. Cierre el compartimento para pilas:
 - a) Instale la tapa del compartimento para pilas
 - b) Apriete el tornillo con cabeza en cruz detrás de la tapa del compartimento para las pilas

Conectar la fuente de alimentación con enchufe (opcional)

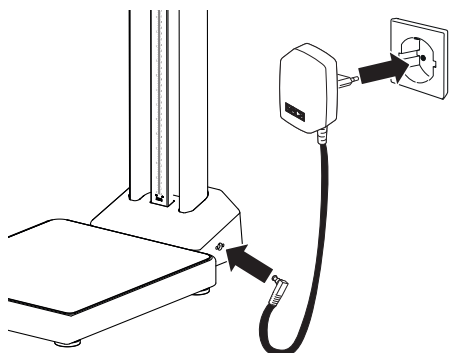
La fuente de alimentación con enchufe de seca se puede adquirir como accesorio opcional.

**¡ADVERTENCIA!****Daños personales y en el aparato debido a una fuente de alimentación incorrecto**

Las fuentes de alimentación habituales en el mercado pueden proporcionar una tensión más elevada de la que indican. La estación de medición se puede sobrecalentar, incendiar, fundir o poner en cortocircuito.

- ▶ Utilice exclusivamente fuentes de alimentación con enchufe originales de seca con tensión de salida regulada de 12 voltios.

La conexión para la fuente de alimentación con enchufe se encuentra en el lateral del alojamiento de la columna. Para establecer el suministro de corriente, proceda de la siguiente manera:



1. Conecte la clavija de la fuente de alimentación con enchufe a la hembra conexión a la red de la estación de medición.
2. Conecte la fuente de alimentación con enchufe a una toma de corriente.

5. MANEJO

5.1 Encender y apagar el aparato

Encender el aparato



1. Asegúrese de que sobre la estación de medición no haya ningún peso.
2. Pulse la tecla CON/DES.

Todos los elementos de la pantalla se muestran brevemente y, a continuación, pone **seca** en la pantalla.

La estación de medición está lista para funcionar cuando se indica **0.0**.



Apagar el aparato



- ▶ Pulse la tecla CON/DES.

NOTA:

En el funcionamiento con pilas, la estación de medición permanece durante 30 segundos en espera. Si durante el tiempo de espera no se realiza ninguna entrada ni se pone peso sobre la plataforma de pesaje, la estación de medición se apaga automáticamente.

5.2 Cambiar las unidades de medición (dependiendo de la variante)



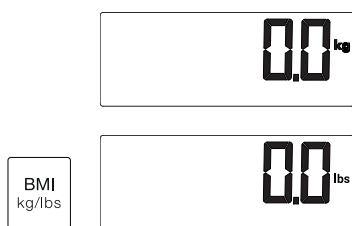
¡PRECAUCIÓN!

Peligro para el paciente

Para evitar interpretaciones erróneas, los resultados de la medición solo pueden indicarse y utilizarse exclusivamente para fines médicos en unidades SI (Peso: kilogramos/gramos, longitud: metros/centímetros). Algunos aparatos ofrecen la posibilidad de mostrar los resultados de la medición en otras unidades. Esta es únicamente una función adicional.

- ▶ Utilice los resultados de la medición en unidades SI exclusivamente.
- ▶ Es usuario es responsable único de la utilización de los resultados de la medición en unidades que no sean SI.

Durante el proceso de medición puede cambiar entre la unidad métrica kilogramo y la unión imperial libra.



1. Encienda la estación de medición (→ “Encender el aparato”, página 80).
2. Mantenga pulsada la tecla **BMI kg/lbs** hasta que cambie la unidad de medida en la unidad de visor.

5.3 Medir el peso

Pesar



¡PRECAUCIÓN!

Se pueden producir lesiones debido a una colocación incorrecta de la lengüeta de medición

Si hay una lengüeta de medición desplegada a la altura del paciente, pueden producirse lesiones.

- ▶ Compruebe que la lengüeta de medición esté por encima de la altura del paciente antes de que este acceda a la plataforma de pesaje.



¡PRECAUCIÓN!

Medición errónea por transmisión parcial de fuerza

En caso de que, durante la medición del peso, el paciente toque otras partes distintas a la plataforma de pesaje, se producen resultados de medición incorrectos.

- ▶ Asegúrese de que el paciente tenga contacto únicamente con los siguientes elementos durante la medición del peso: plataforma de pesaje y apoyo seca 477 (si existe).



1. Encienda la estación de medición (→ “Encender el aparato”, página 80).
2. Pídale al paciente que suba a la plataforma de pesaje:
 - No toque el tallímetro
 - No toque la columna ni el cabezal de visor
3. Lea el resultado de medición.

Tarar peso adicional (Tare)

Con la función **Tare** puede evitar que un peso adicional (por ejemplo, un bastón) influya en el valor del peso del paciente.



¡PRECAUCIÓN!

Medición errónea por transmisión parcial de fuerza

Si un peso adicional toca la superficie sobre la que se encuentra el aparato, se producen resultados de medición incorrectos.

- ▶ Asegúrese de que los pesos adicionales se sitúan exclusivamente sobre la plataforma de pesaje del aparato.

NOTA:

Al peso máximo que se puede indicar se le resta el peso de los objetos a tarar.



1. Encienda la estación de medición (→ “Encender el aparato”, página 80).
2. Coloque el peso adicional sobre la plataforma de pesaje.
3. Mantenga pulsada la tecla **Tare** ▾ hasta que aparezca el mensaje **NET**.



- Espera hasta que la indicación deje de parpadear y en su lugar aparezca **0.0**.

NOTA:

Si retira el peso adicional, se indicará - - - - -.

- Pídale al paciente que se coloque sobre la plataforma de pesaje junto al peso adicional (o con el peso adicional). Se indicará el peso del paciente. El peso adicional se ha restado automáticamente.
- Lea el resultado de medición.
- Para desactivar la función **Tare**, mantenga pulsada la tecla **Tare** ▾ hasta que desaparezca el mensaje **NET**.

NOTA:

Si apaga la estación de medición, se desactivará automáticamente la función **Tare**.

Mostrar el peso permanentemente (Hold)



Activando la función **Hold** se indica permanentemente el valor del peso.

- Pulse la tecla **Hold** Δ.
La indicación parpadea hasta que se mide un peso estable. El valor del peso se muestra de forma continua. Aparece el mensaje **Δ HOLD**.
- Lea el resultado de medición.
- Para desactivar la función **Hold**, pulse la tecla **Hold** Δ.

5.4 Medir la altura

Con el tallímetro integrado se puede medir la altura.



¡PRECAUCIÓN!

Se pueden producir lesiones debido a una colocación incorrecta de la lengüeta de medición

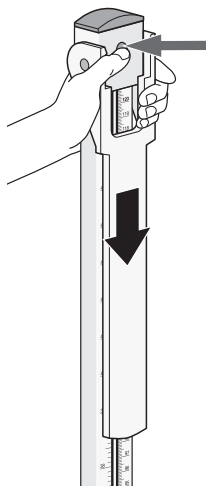
Si hay una lengüeta de medición desplegada a la altura del paciente, pueden producirse lesiones.

- Compruebe que la lengüeta de medición esté por encima de la altura del paciente antes de que este acceda a la plataforma de pesaje.

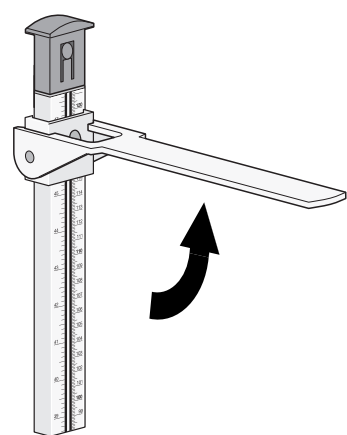
Medir una altura < 1,22 m

Para medir una altura < 1,22 m el resultado de medición se lee debajo de la corredera para la cabeza (canto de lectura 1).

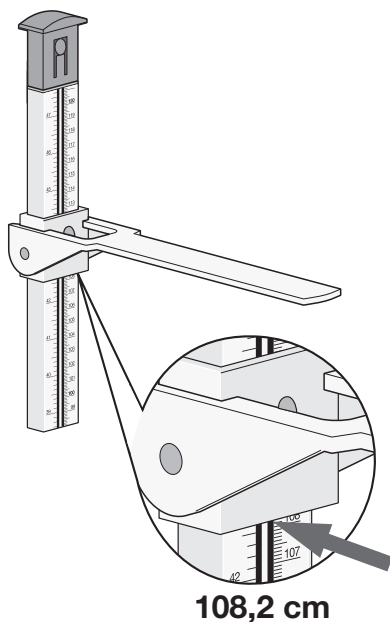
- Compruebe que el elemento telescópico superior se encuentre en la posición más baja.



2. Desbloquee la corredera para la cabeza pulsando el bloqueo, y desplácela hacia abajo.

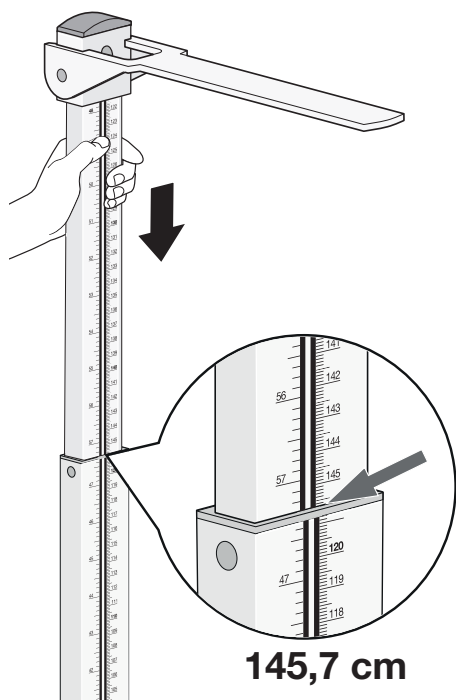
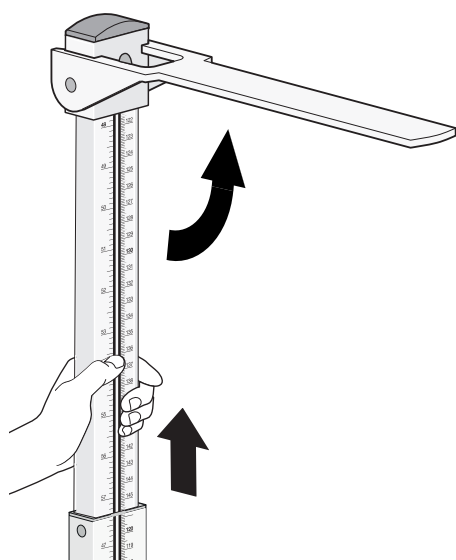


3. Despliegue la lengüeta de medición hasta que esté enclavada en posición horizontal.
4. Pídale al paciente que se coloque debajo de la lengüeta de medición:
 - Posición erguida del cuerpo
 - Cabeza recta (plano horizontal de Fráncfort, paralela a la lengüeta de medición)
5. Deslice la corredera para la cabeza hacia abajo sobre el elemento telescópico inferior, hasta que la lengüeta de medición esté colocada sobre la cabeza del paciente.



6. Lea el resultado de medición debajo de la corredera para la cabeza (canto de lectura 1) (en este ejemplo: 108,2 cm). Tiene las siguientes posibilidades de continuar:
 - ▶ Anote el resultado de medición
 - ▶ Introduzca el resultado de medición en la unidad de visor (→ "Calcular y visualizar el Índice de Masa Corporal (IMC)", página 84)
7. Pida al paciente que baje de la plataforma de pesaje.
8. Pliegue la lengüeta de medición hacia abajo.
9. Deslice la corredera para la cabeza hacia arriba, hasta que quede enclavada en el bloqueo.

Medir una altura > 1,22 m



145,7 cm

Para medir una altura > 1,22 m el resultado de medición se lee en el elemento telescópico inferior (canto de lectura 2).

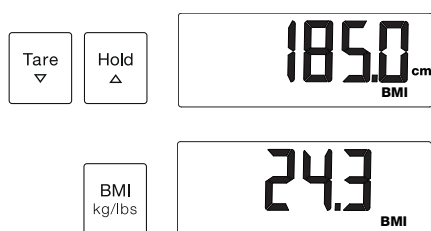
1. Despliegue la lengüeta de medición hasta que esté enclavada en posición horizontal.
2. Saque el elemento telescópico superior hasta que el paciente se pueda colocar cómodamente debajo de la lengüeta de medición.
3. Pídale al paciente que se coloque debajo de la lengüeta de medición:
 - Posición erguida del cuerpo
 - Cabeza recta (plano horizontal de Fráncfort, paralela a la lengüeta de medición)
4. Deslice el elemento telescópico superior hacia abajo, hasta que la lengüeta de medición esté colocada sobre la cabeza del paciente.
5. Lea el resultado de medición en el elemento telescópico inferior (canto de lectura 2) (en este ejemplo: 145,7 cm).
Tiene las siguientes posibilidades de continuar:
 - ▶ Anote el resultado de medición.
 - ▶ Introduzca el resultado de medición en la unidad de visor (→ “Calcular y visualizar el Índice de Masa Corporal (IMC)”, página 84)
6. Pida al paciente que baje de la plataforma de pesaje.
7. Deslice el elemento telescópico hasta la posición más baja.
8. Pliegue la lengüeta de medición hacia abajo.

5.5 Calcular y visualizar el Índice de Masa Corporal (IMC)

El Índice de Masa Corporal es una relación entre la altura y el peso corporal.

1. Determine el valor del peso del paciente (→ “Medir el peso”, página 81).
2. Determine el valor de la estatura del paciente (→ “Medir la altura”, página 82).
3. Pulse brevemente la tecla **BMI kg/lbs**.
Se muestra la última altura introducida en cm y la indicación **BMI**.

BMI
kg/lbs



4. Utilice las teclas **Tare** ▽ y **Hold** △ para introducir el valor de la estatura en centímetros.
5. Pulse brevemente la tecla **BMI kg/lbs**.
Se calcula automáticamente el IMC y se visualiza.
6. Pulse brevemente la tecla **BMI kg/lbs**.
La pantalla regresa a la indicación del peso.

6. PREPARACIÓN HIGIÉNICA



¡ADVERTENCIA!

Electrocución

El aparato no queda sin corriente cuando se pulsa la tecla CON/DES y se apaga el visor. En caso de aplicar líquidos en el aparato se puede producir una descarga eléctrica.

- ▶ Antes de cada preparación higiénica, asegúrese de que el aparato esté apagado.
- ▶ Desenchufe la clavija de alimentación antes de cada preparación higiénica.
- ▶ Antes de cada preparación higiénica retire la batería del aparato (siempre que haya y esté previsto técnicamente).
- ▶ Asegúrese de que no puedan llegar líquidos al aparato.

¡ATENCIÓN!

Daños en el aparato

Los productos de limpieza y los desinfectantes inadecuados pueden dañar las superficies del aparato.

- ▶ No utilice productos de limpieza corrosivos o abrasivos
- ▶ No utilice disolventes orgánicos (p. ej., alcohol o gasolina)

6.1 Limpieza

- ▶ Si es necesario, limpie la superficie del aparato con un paño suave, humedecido en su caso con una lejía jabonosa suave.

6.2 Desinfección

1. Desinfecte el aparato regularmente con un producto desinfectante que contenga alcohol.
2. Siga las instrucciones de uso del desinfectante.
3. Desinfecte el aparato:
 - ▶ Humedezca un paño suave con desinfectante y limpie el aparato con él.
 - ▶ Siga los intervalos, ver tabla.

Intervalo	Componente
Antes de cada medición	<ul style="list-style-type: none"> • Plataforma de pesaje • Corredera para la cabeza con lengüeta de medición • Apoyo (si existe)
Después de cada medición	<ul style="list-style-type: none"> • Plataforma de pesaje • Corredera para la cabeza con lengüeta de medición • Apoyo (si existe)

Intervalo	Componente
En caso de necesidad	<ul style="list-style-type: none"> • Columna, unidad de visor y cabezal de visor • Elementos telescópicos del tallímetro • Asidero

6.3 Esterilización

No está permitida la esterilización del aparato.

7. CONTROL DEL FUNCIONAMIENTO

- ▶ Realice un control del funcionamiento antes de cada aplicación.

Un control completo del funcionamiento comprende:

- Comprobación visual en cuanto a daños mecánicos
- Comprobación de la nivelación del aparato
- Comprobación visual y del funcionamiento de los elementos de visualización
- Comprobación del funcionamiento de todos los elementos de mando mostrados en el capítulo "Vista general"
- Comprobación del funcionamiento de los accesorios opcionales

Si detectara errores o discrepancias al realizar el control del funcionamiento, intente primero subsanar el fallo con ayuda del capítulo "Corrección de averías".




¡PRECAUCIÓN! **Daños personales**

Si al realizar el control del funcionamiento detectara errores o discrepancias que no pueden subsanarse con ayuda del capítulo "Corrección de averías", deberá abstenerse de utilizar el aparato.

- ▶ Haga reparar el aparato por el seca Service o un servicio postventa autorizado.
- ▶ Tenga en cuenta la sección "Mantenimiento" de este documento.

8. CORRECCIÓN DE AVERÍAS

Avería	Causa	Solución
Al colocar un peso no aparece ninguna indicación de peso	El aparato no tiene alimentación eléctrica	<ul style="list-style-type: none"> • Encienda la estación de medición • En caso de funcionamiento con pilas: coloque las pilas • En caso de funcionamiento con alimentación de la red eléctrica: conecte la fuente de alimentación con enchufe
No aparece 0.0 antes del pesaje	El peso se colocó antes de encender el aparato	<ul style="list-style-type: none"> • Quite el peso de la estación de medición • Apague la estación de medición y vuelva a encenderla
Aparece - - - - antes del pesaje	El peso se colocó antes de encender el aparato	<ul style="list-style-type: none"> • Quite el peso de la estación de medición • Apague la estación de medición y vuelva a encenderla
La indicación de peso parpadea	No se ha detectado todavía un valor del peso estable	<ul style="list-style-type: none"> • Está activada una de las funciones siguientes: Hold, Autohold, Tare. Espere hasta que la estación de medición haya detectado un valor del peso estable. La indicación deja de parpadear. • Quite el peso de la estación de medición, espere hasta que se indique 0.0 y pese de nuevo
Uno de los segmentos de la pantalla se visualiza continuamente o no se visualiza nunca	La pantalla está defectuosa	<ul style="list-style-type: none"> • Llame al seca Service
Se indica 	La tensión de las pilas va disminuyendo	<ul style="list-style-type: none"> • Cambiar las pilas
Se indica bAtt	Las pilas están descargadas	<ul style="list-style-type: none"> • Cambiar las pilas
Se indica StOP	Se ha superado el peso máximo	<ul style="list-style-type: none"> • Quite el peso de la estación de medición
Se indica Er:[No.]:11	Se ha colocado un peso demasiado elevado en el aparato o se ha cargado en exceso una esquina	<ul style="list-style-type: none"> • Quite el peso de la estación de medición o distribuya el peso uniformemente • Apague la estación de medición y vuelva a encenderla • Si el problema no se soluciona, avise al seca Service
Se indica Er:[No.]:12	El aparato se ha encendido con un peso demasiado elevado	<ul style="list-style-type: none"> • Quite el peso de la estación de medición • Apague la estación de medición y vuelva a encenderla
Se indica Er:[No.]:16	El aparato ha vibrado, no se ha podido determinar el punto cero	<ul style="list-style-type: none"> • Apague la estación de medición y vuelva a encenderla
Se indica Er:[No.]:32	Se ha producido un error de comunicación interno	<ul style="list-style-type: none"> • Apague la estación de medición y vuelva a encenderla • Si el problema no se soluciona, avise al seca Service

9. MANTENIMIENTO

El producto se debe colocar con cuidado y revisar periódicamente. En función de la frecuencia de uso recomendamos realizar el mantenimiento cada 3 a 5 años.



¡PRECAUCIÓN!

Mediciones erróneas en caso de mantenimiento inadecuado

- ▶ Los trabajos de mantenimiento y las reparaciones deben ser realizados únicamente por el seca Service o un equipo de servicio autorizado.
- ▶ El equipo de servicio más cercano lo encontrará en www.seca.com o enviando un correo electrónico a service@seca.com.

10. DATOS TÉCNICOS

10.1 Datos técnicos generales

Datos técnicos generales	
Dimensiones	
• Fondo	576 mm
• Ancho	410 mm
• Altura (sin sacar el tallímetro)	1356 mm
Peso propio de la estación de medición	aprox. 12,7 kg
Condiciones de entorno, operación	
• Temperatura	de +10 °C a +40 °C / de +50 °F a 104 °F
• Presión de aire	700 – 1060 hPa
• Humedad del aire	30 % – 80 % sin condensación
Condiciones de entorno, almacenamiento	
• Temperatura	de -10 °C a +65 °C / de +14 °F a 149 °F
• Presión de aire	700 – 1060 hPa
• Humedad del aire	0 % – 95 % sin condensación
Condiciones de entorno, transporte	
• Temperatura	de -10 °C a +65 °C / de +14 °F a 149 °F
• Presión de aire	700 – 1060 hPa
• Humedad del aire	0 % – 95 % sin condensación
Suministro de corriente	
• Pilas	
- Tensión de alimentación	9 V
- Tipo de pilas	6 x tipo AA, 1,5 V
• Fuente de alimentación con enchufe (accesorio opcional)	
- Tensión de alimentación	12 V
- Consumo máximo de electricidad	típico 500 mA
- Aparato con aislamiento de protección, clase de protección II (EN 60601-1)	
Tensión de red	100 V – 240 V
Frecuencia de la red	50 Hz – 60 Hz
Consumo de electricidad	aprox. 37 mA
Duración máxima con pilas (interfaz USB no activada)	aprox. 32 horas

Datos técnicos generales	
Datos metrológicos, tallímetro	
<ul style="list-style-type: none"> • Rango de medición 1 • Rango de medición 2 • División • Precisión 	10 cm – 122 cm (4 pulgadas – 48 pulgadas) 122 cm – 230 cm (48 pulgadas – 90,5 pulgadas) 1 mm (1/8 pulgada) ± 5 mm
Producto sanitario según la Directiva 93/42/CEE	Clase I con función de medición
EN 60601-1: aparato electromédico, tipo B	
Tipo de protección	IP20
Modo de funcionamiento	Funcionamiento continuo

10.2 Datos técnicos de pesaje

Datos técnicos de pesaje	
Peso máximo	250 kg / 550 libras
Peso mínimo	0,2 kg / 0,4 libras
División de precisión	0,1 kg / 0,2 libras
Campo de tara	hasta 250 kg (subtractivo)
Precisión	
<ul style="list-style-type: none"> • de 0 kg a 70 kg (de 0 libras a 132 libras) • de 70 kg a 250 kg (de 132 libras a 551 libras) 	± 100 g (0,22 libras) ± 0,15 %

11. ACCESORIOS OPCIONALES Y PIEZAS DE RECAMBIO

Accesorio/pieza de recambio	Núm. artículo
Fuente de alimentación conmutada: 100–240 V~ / 50–60 Hz, 12 V= / 0,5 A	68-32-10-270
Apoyo seca 477 (para seca 777 1721 004 / seca 777 1821 004)	477 0000 009

12. ELIMINACIÓN

12.1 Aparato



No elimine el aparato en la basura doméstica. El aparato se debe eliminar de forma apropiada como material electrónico. Tenga en cuenta las disposiciones nacionales de su país. Para más información, diríjase a nuestro servicio:

service@seca.com

12.2 Pilas y baterías



No deposite las pilas ni las baterías usadas en la basura doméstica, independientemente de si contienen o no materiales nocivos. Como usuario tiene la obligación legal de eliminar las pilas y las baterías en puntos de recogida municipales o comerciales. Entregue las pilas y las baterías solo completamente descargadas.

13. GARANTÍA

Para los defectos atribuidos a errores del material o de fábrica existe una garantía de dos años a partir del suministro. Todas las piezas móviles, como pilas, cables, equipos de alimentación, acumuladores, etc., quedan excluidas de la garantía. Los defectos que se incluyan dentro de la garantía serán reparados gratuitamente presentando la factura de la compra. No se podrán tener en cuenta otras exigencias. Los costes del transporte de ida y vuelta corren a cargo del cliente en el caso de que el aparato se encuentre en un lugar diferente al domicilio del cliente. En caso de producirse daños durante el transporte, los derechos de garantía solo son válidos si para el transporte se ha empleado el embalaje original completo y el aparato se ha protegido y sujetado conforme al estado del embalaje original. Por este motivo, conserve todas las piezas del embalaje.

La garantía no tiene validez cuando el aparato haya sido abierto por personas que no estén autorizadas para ello expresamente por seca.

Para casos relacionados con la garantía, póngase en contacto con su sucursal de seca o con el vendedor del producto.

14. DECLARACIONES DE CONFORMIDAD

14.1 Para Europa



Por la presente, seca gmbh & co. kg declara que el producto cumple las normas de las directivas europeas aplicables. La declaración de conformidad completa está disponible en: www.seca.com.

14.2 Para EE. UU. y Canadá

NOTE

This device complies with Part 15 of the FCC Rules and with RSS-210 of Industry Canada. Operation is subject to the following two conditions:

- This device may not cause harmful interference.
- This device must accept any interference received, including interference that may cause undesired operation.

NOTE

Changes or modifications made to this equipment not expressly approved by seca may void the FCC authorization to operate this equipment.

NOTE

Radiofrequency radiation exposure information:

This equipment complies with FCC radiation exposure limits set forth for an uncontrolled environment. This equipment should be installed and operated with minimum distance of 1 m between the radiator and your body. This transmitter must not be co-located or operating in conjunction with any other antenna or transmitter.

