

SLEEPER JACKET



Caution: Federal law restricts this device to sale by or on the order of a physician or licensed health care professional.

Indications - The Skil-Care Sleeper Jacket is recommended for use with a patient who:

- Requires restraint while in the bed or wheelchair
- Easily removes vest-style and poncho style restraints

Contraindications for Use - Do not use this device for a patient who:

- Slides or moves toward the foot of the bed
- Slides down in the wheelchair
- Requires posture support while in the wheelchair

Bed Application Select proper size for your patient.

Sizing Table for Skil-Care Products (see note)

Binding Color	Size	Weight (lb./kg.)
Red	Small	80-130/36-59
Green	Medium	130-160/59-73
Yellow	Large	160-200/73-91

Note: Device size to patient weight relationships are approximate. Another criterion for device size selection may include patient torso size. Improper size selection may be indicated by difficulty experienced when closing zipper or shoulder seams that fall two or more inches below patient's shoulder.

1. Put jacket on patient making certain that the zipper is behind the patient. Never apply this jacket with the zipper in front of the patient. Close the zipper.
2. Place patient in bed. Position patient's hips at the point where the bed forms a "V" when raised. Extend the waist straps to the right and left sides of the bed.
3. Thread the strap at the patient's left side through the loop on the patient's left side, through the front loop, and through the loop on patient's right side.
4. Thread the strap at the patient's right side through the loop on the patient's right side, through the front loop, and through the loop on patient's left side.
5. Pull straps through loops until device fits snugly. Note: Straps should not be so snug as to interfere with patient's breathing. You should be able to slide your open hand between the device and the patient.
6. Wrap the straps around the bedframe and clip the snap-hooks to the spring under the mattress. See illustration A.

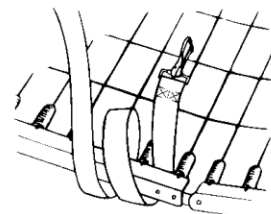
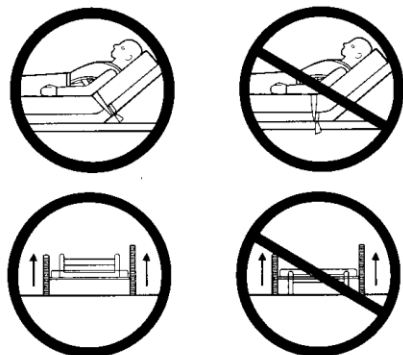


Illustration A



Always secure straps to the part of the bed that moves when patient is raised or lowered. Never attach straps to the part of the bed that does not move when raised and lowered.

8. Raise and lock bed rails before leaving patient.

Always raise and lock bed rails when patient is wearing Houdini Safety Sleeper. Never leave bed rails in lowered position when patient is unattended.

Wheelchair Application

1. Before seating patient in wheelchair, make certain that both brakes are locked and both footrests are positioned to the sides of the chair. Seat patient as far back in the wheelchair as possible. Position footrests to the front of the chair and place patient's feet on them.
2. Put jacket on patient making certain that the zipper is behind the patient. Never apply this jacket with the zipper in front of the patient. Close the zipper.
3. Thread the strap at the patient's left side through the loop on the patient's left side through the front loop, and through the loop on patient's right side.
4. Thread the strap at the patient's right side through the loop on the patient's right side, through the front loop, and through the loop on patient's left side.
5. Pull straps through loops until device fits snugly. Note: Straps should not be so snug as to interfere with patient's breathing. You should be able to slide your open hand between the device and the patient.
6. Behind the wheelchair, pass both waist straps through the space between the wheelchair backrest and seat.
7. Cross the straps, wrapping one around the other as shown in illustration B.
8. Position left strap at right kick-spur and right strap at left kick-spur as shown in illustration C.
9. Wrap the strap several times around the kick-spur as shown in illustration D. Leave some excess so that you can proceed to next step.
10. Clip snap hooks together between kick-spurs as shown in illustration E.



Illustration B

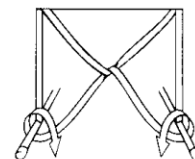


Illustration C

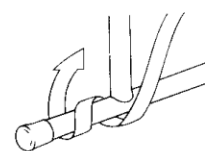


Illustration D

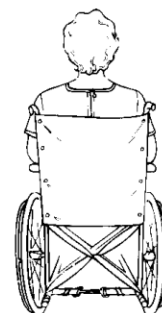


Illustration E

Laundering

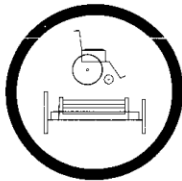
This device should not be laundered or dried at temperatures that exceed 180° F (82° C). Do not use bleach. See **important warnings and cautions** below.

Always...

Always inspect condition of device.



Always read package insert to determine if device is intended for wheelchair and/or bed use.



Always monitor patients in restrictive devices. Make certain to follow your facility's procedures for periodic release, toileting, and exercise.



Never...

Never use a device that has worn or frayed fabric or webbing. Discard damaged units immediately. Do not alter products.



Never use a Skil-Care device as a restraint in a motor vehicle.



Never place a patient wearing a restrictive device in a place where he/she is not easily monitored.

