



Aqua Creek Products

The Total Solution for Pool and Spa Access



SPA LIFT



PRO-SPA 40

SPA LIFT PRO SPA 40

US PATENT NUMBER: D507,769 S

400 LB. [181 kg] MAXIMUM CAPACITY

MANDATORY – LEAVE THIS MANUAL WITH LIFT OWNER

- WARNING -

IMPORTANT SAFETY INSTRUCTIONS

1. READ AND FOLLOW ALL INSTRUCTIONS. LIFT SAFETY CAN ONLY BE ENSURED IF THE LIFT IS INSTALLED AND OPERATED PROPERLY – ACCORDING TO THESE INSTRUCTIONS.
2. TO REDUCE THE RISK OF INJURY, DO NOT PERMIT CHILDREN TO USE THIS PRODUCT UNLESS THEY ARE CLOSELY SUPERVISED AT ALL TIMES.
3. DO NOT PERMIT CHILDREN TO PLAY ON OR AROUND THIS PRODUCT.
4. NEVER APPLY DIRECT WATER PRESSURE TO THE ELECTRONIC COMPONENTS.
5. SAVE A COPY OF THESE INSTRUCTIONS IN A SAFE AND EASILY ACCESSIBLE PLACE.

AQUA CREEK PRODUCTS

ASSEMBLY INSTRUCTIONS

The lift arrives mostly assembled on a crate. Begin by locating all parts for your lift in the parts lists below. Refer to page 4 for parts identification.

PARTS LIST

CRATE 1

1. SPA LIFT ASSEMBLY

ITEMS INCLUDED WITH SPA LIFT/ PRO SPA 40 LIFT

1. (1) 24V BATTERY
2. (1) BATTERY CHARGER
3. (1) HAND CONTROLLER
4. (1) SEAT BELT
5. (1) HARDWARE BAG

HARDWARE BAG			
ITEM #	QTY.	DESCRIPTION	PART USE / LOCATION
1	3	4" DUAL THREADED ANCHOR	ANCHOR
2	3	1/2" x 1-1/2" HEX HEAD BOLT S.S.	STANDARD ANCHOR BOLT
3	3	1/2" FLAT WASHER S.S.	ANCHOR BOLTS

TOOLS NEEDED:

3/4" Wrench	Drill
Hammer	Marker/Chalk
1 1/8" Masonry Bit	Epoxy or Hydraulic Cement

- 1.) Locate the 24v battery and wall mount battery charger. Batteries arrive from the factory partially charged. **Charge the battery for 24 HOURS before initial use of the lift.** Determine the location that you want to position the wall mount charger (next to a 110v AC outlet), and fasten it with the supplied screws. Plug in the charger to the outlet.
- 2.) Clip the battery to the charger and allow the battery to charge. When the battery is correctly mounted to the charger, the **CHARGE** light will illuminate. When the battery is fully charged, the **CHARGE** light will **GO OFF**.
- 3.) If the anchors have already been installed at this point, skip to page 4. If the anchors have not already been installed, follow the anchor installation instructions on page 3.

ANCHOR INSTALLATION INSTRUCTIONS

TOOLS NEEDED: Hammer, 1 1/8" Masonry Bit, Drill, Marker/Chalk

Before installing the anchors, it is necessary to determine where you want to place the lift on your deck. You will want to locate the lift as close to the outside wall of your pool/spa as possible to ensure that the seat arm clears your spa/pool wall. As shown in figure 1 below, the lift must be a minimum 4" from the front anchor holes to the pool/spa wall. Also, you will want to allow enough room for the seat arm to swing around away from the pool/spa. Refer to the specifications for lift dimensions.

- 1.) The lift is shipped with 4" anchors. If you are installing the anchors and have not received the lift, use the dimensions from figure 1 below to set the anchor locations. Make a mark on the deck with a marker or chalk at each anchor location. If you have the lift and have not installed the anchors, position the lift at the desired location and mark the concrete at each anchor location.
- 2.) Using the $\varnothing 1\ 1/8"$ [30mm] masonry bit drill a hole in the concrete deck to a depth of 4 1/2" [114mm] at each of the three anchor locations. The holes must be drilled plum, or the lift bolts will not thread into the anchors. Once the holes have been drilled to the proper depth, clean debris out of anchor holes.
- 3.) Check that the holes are deep enough by dropping a 4" anchor into the hole to make sure it comes out flush with the deck surface. If not re-drill the hole/holes until they are flush.
- 4.) Fill each hole 1/2 full with expanding epoxy or hydraulic cement. Thread a 1-1/2" bolt into each anchor and then insert the anchor into the hole, twisting as you go. Clean off any excess epoxy from around the hole, and make sure not to get any epoxy on the 1/2" threads.

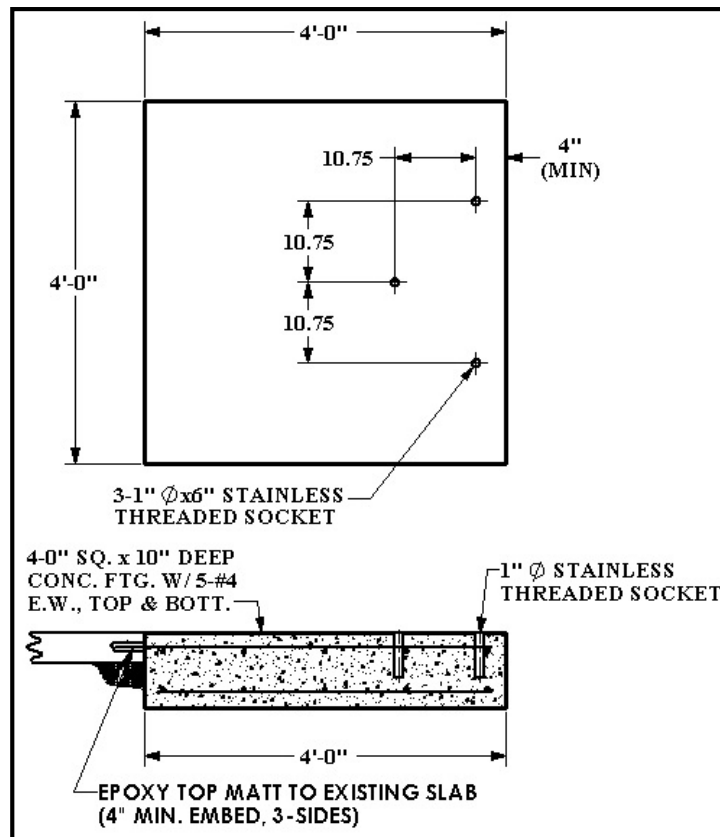


FIGURE 1

INSTALLING THE LIFT

- 1.) Once the anchors have been installed, you can now install the lift. Position the lift over the anchors as shown in figure 2.
- 2.) Using the supplied hardware, secure the lift to the deck as shown in figure 2.
- 3.) Attach the supplied safety belt to the chair by opening each end of the belt and looping the ends through the slots on either side of the chair as shown in figure 2. The Velcro ends can be adjusted to suit the users' needs.
- 4.) Attach the handset control plug at the base of the control box. **Press firmly until plug is fully seated in the control box.** Attach the fully charged battery pack to the control box as shown in figure 2 below. The battery should "snap" into place.

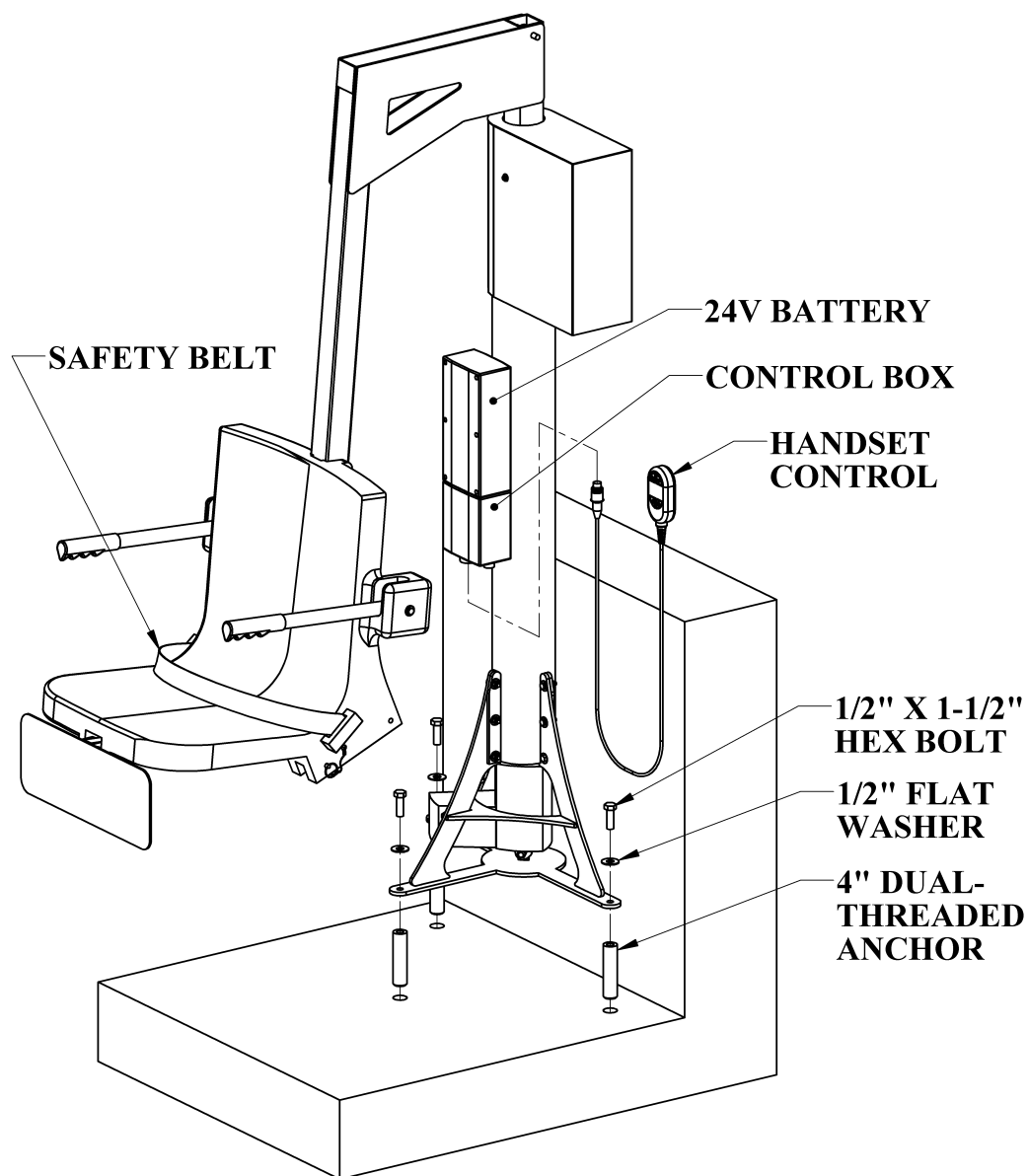
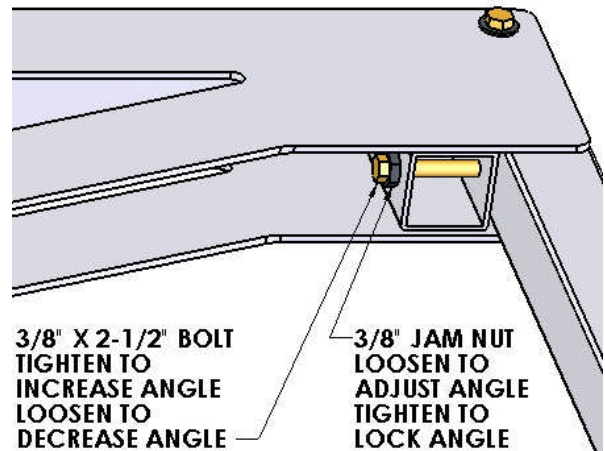


FIGURE 2

ADJUSTING SEAT ANGLE:

The angle of the seat arm is adjustable to provide additional clearance from the spa wall. Adjust the angle of the seat arm assembly by loosening the 3/8" jam nut and adjusting the 3/8" bolt at the base of the lifting plates (top of lifting arm). As shown in the diagram to the right, tighten the bolt to increase clearance, and loosen it to decrease the angle of the seat arm. When the desired angle is achieved tighten the jam nut to lock the angle.



OPERATING INSTRUCTIONS SPA LIFT AND PRO SPA 40

NOTE: CHECK ALL NUTS & BOLTS FOR TIGHTNESS BEFORE EACH USE

NOTE (PRO SPA 40 ONLY): CHECK DRIVE BELT FREQUENTLY TO PREVENT SLIPPAGE AND PROLONG SYSTEM LIFE. (SEE BELOW "BELT TIGHTENING")

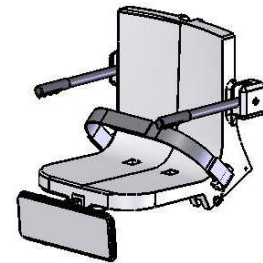
Before attempting to transfer into the chair, check the battery warning light on the 24v battery. If this light is illuminated, this means the battery is at a low charge.

DO NOT attempt to use the lift if the "low charge" indicator light is on. Remove the battery from the lift and place it on the wall mount charger until the battery is fully charged before resuming use of the lift.

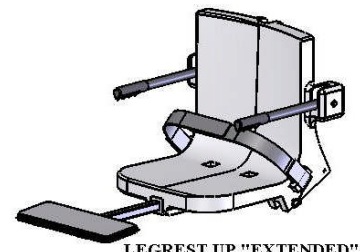
If your lift is equipped with a pullout leg-rest it will be necessary to have the leg-rest engaged in the extended position with the leg-rest flipped up for pool/spa walls higher than 36". For pool/spa walls shorter than 36", the leg-rest may be flipped up or down.

You may transfer to the chair from either side, by flipping up the armrest on the preferred side to allow for easy lateral transfer. Once you are in the chair, lower the flip-up arm back into its normal position for operating the lift. If your lift is equipped with a leg-rest, position your legs comfortably on the leg-rest. Secure the adjustable lap belt around your waist so that the belt is snug, but not uncomfortably tight.

You are now seated comfortably in the lift, and ready to move into the pool or spa. Before you begin the lift's operating cycle, take a visual check of the deck area and pool/spa area to ensure a clear operating path.



LEGREST DOWN "STOWED AWAY"



LEGREST UP "EXTENDED"

Figure 5

PRO SPA 40 USERS (AUTO-ROTATE)

Now take the handheld controller and press the “up” arrow at the top of the controller. The lift should start to move up smoothly. Continue holding the “up” arrow button until you have cleared the pool/spa wall. Once the user has cleared the pool/spa wall vertically, press either of the lower buttons on the handheld controller to rotate over the pool/spa wall. The PRO SPA is equipped with a push-button rotate mechanism that allows the lift to rotate 360° clockwise, or counter-clockwise. By pressing either of the lower “rotate” buttons, the user may rotate in and out of the pool/spa in either direction.

WARNING! THE ROTATE MECHANISM ON THE LIFT IS DESIGNED TO ROTATE THE LIFT WITH A 400 LB. MAXIMUM WEIGHT CAPACITY. IF THE CHAIR IS IMPEDED BY AN OBJECT WHILE ROTATING, THE LIFT MAY BEGIN TO CLICK OR POP. THIS MEANS THAT THERE IS TOO MUCH RESISTANCE ON THE LIFT. PROMPTLY STOP THE ROTATION AND REMOVE THE RESISTANCE. THE LIFT SHOULD NOW CONTINUE TO ROTATE SMOOTHLY.

Once the user is positioned over the pool/spa, simply press the “down” arrow to lower the user into the pool/spa. Release the “down arrow” button once the user has reached the desired depth in the pool/spa. Now release the lap belt by tugging gently on the top flap of the lap belt. Lift up the flip-up arm-rest and exit the seat into the pool/spa. The handheld controller can simply rest on the seat arm when the user is not using the lift. If desired, the user can send the lift chair up and out of the pool/spa so that the chair is not a hindrance while he or she is in the pool/spa. If this is desired, the controller must be kept in an accessible location in order to call the lift back.



WARNING: DO NOT ROTATE THE LIFT WHILE IT IS SUBMERGED IN THE POOL/SPA. THIS MAY RESULT IN INJURY TO THE USER AND/OR DAMAGE THE LIFT OR POOL.

When the user is ready to return to the lift seat and exit the pool or spa, make sure that the chair is lowered (submerged) sufficiently to allow the user to easily slide into the chair. You will not want to attempt to “lift” or raise into the chair. Position your legs onto the leg-rest. Next, re-secure the adjustable lap belt snugly around your waist. Now take the handheld controller and apply pressure to the “up” arrow. Maintain pressure on the up button until the lift has cleared the pool/spa wall vertically. Rotate the lift using either of the lower “rotate” buttons until the chair is located vertically above the position on the deck that you desire to exit the lift. Press the “down arrow” until the lift comes to a stop. Finally, release the safety belt, flip up the arm rest, and exit the chair.

SPA LIFT USERS (MANUAL-ROTATE)

Now take the handheld controller and press the “up” arrow at the top of the controller. The lift should start to move up smoothly. Continue holding the “up” arrow button until you have cleared the pool/spa wall. Once the user has cleared the pool/spa wall vertically, it will be necessary for an assistant to manually rotate the user over the pool/spa. This may be done by pushing the seat arm and seat until the seat arm begins to rotate. Once the user is located above the pool/spa, press the “down” arrow to lower the user into the pool/spa. Release the “down” arrow button once you have reached the desired depth.

Now release the lap belt by tugging gently on the top flap of the lap belt. Lift up the flip-up arm-rest and exit the seat into the pool/spa. The handheld controller can simply rest on the seat arm when you are not using the lift. If desired, you can send the lift chair up and out of the pool/spa so that the chair is not a hindrance while you are in the pool/spa. If this is desired, you must keep the controller in an accessible location in order to call the lift back. The attendant/assistant should stand by in case you need to get out of the pool/spa quickly.

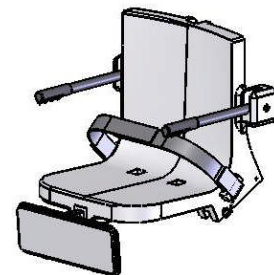
When you are ready to return to the lift seat and exit the pool or spa, make sure that the chair is lowered (submerged) sufficiently to allow you to easily slide into the chair. You will not want to attempt to “lift” or raise yourself into the chair. Position your legs onto the leg-rest (if equipped with leg-rest). Next, re-secure the adjustable lap belt snugly around your waist. Now take the handheld controller and apply pressure to the “up” arrow. Maintain pressure on the up button until the lift has cleared the pool/spa wall vertically. It will now be necessary for an assistant to push the seat arm until it rotates over the deck at the desired exit position. Press the “down arrow” until the lift comes to a stop. Finally, release the safety belt, flip up the arm rest, and exit the chair.

OPERATING INSTRUCTIONS SPA LIFT LEG REST

NOTE: CHECK ALL NUTS & BOLTS FOR TIGHTNESS AND FOR WORN PARTS BEFORE EACH USE

If your lift is equipped with a pullout leg-rest it will be necessary to have the leg-rest engaged in the extended position with the leg-rest flipped up for pool/spa walls higher than 36”. For pool/spa walls shorter than 36”, the leg-rest may be flipped up or down. To extend the leg-rest, simply pull the leg-rest out to the desired position. Next, grip the front of the leg-rest, and flip it up so that the leg rest is in the horizontal position, as shown in figure 4. The leg-rest plate should then “lock” into place. To disengage the leg-rest, simply lift the leg-rest plate until you feel it slip out of the locked position, then allow the plate to fall into the lowered position. Finally, push the leg-rest back into the seat tube until it reaches a stop in the “stowed away” position.

NOTE: It will be necessary for an assistant to operate the lift.



LEGREST DOWN "STOWED AWAY"

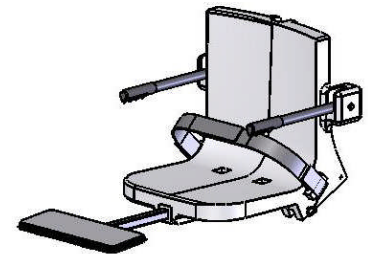


Figure 6 LEGREST UP "EXTENDED"

You may transfer to the chair from either side, by flipping up the armrest on the preferred side to allow for easy lateral transfer. Once you are in the chair, lower the flip-up arm back into its normal position for operating the lift. If your lift is equipped with a leg-rest, position your legs comfortably on the leg-rest. Secure the adjustable lap belt around your waist so that the belt is snug, but not uncomfortably tight.

You are now seated comfortably in the lift, and ready to move into the pool or spa. Before you begin the lift's operating cycle, take a visual check of the deck area and pool/spa area to ensure a clear operating path.

Now release the lap belt by grasping the end of the belt that is protruding above the lap belt and tugging gently. Lift up the flip-up arm-rest and exit the seat into the pool/spa. If desired, the assistant can send the lift chair up and out of the pool/spa so that the chair is not a hindrance while the user is in the pool/spa.

BATTERY SYSTEM OPERATING INSTRUCTIONS



24 V SEALED BATTERY



WALL MOUNT
CHARGER



CONTROL BOX



HANDHELD
CONTROLLER

The Spa and Pro Spa Battery system come with a 24v sealed rechargeable battery, wall mount charging unit (with mounting bracket), control box, and a waterproof handheld controller. The control box is mounted to the lift and has a plug-in socket for the actuator, the rotate motor (Pro Spa) and the handheld controller. The battery mounts directly above the control box with a quick-release clip.

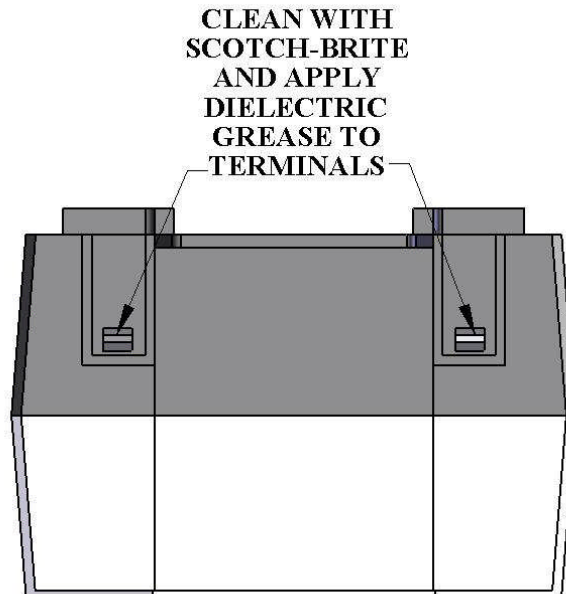
To operate the lift, plug in the handheld controller to the control box and push the corresponding button to raise, lower or rotate the unit. The lift should be able to complete approximately 10-20 full cycles before the low battery indicator tone will sound. The low battery tone indicates that there is approximately 20% battery life remaining. At this point, **DO NOT ATTEMPT TO OPERATE THE LIFT**, remove the battery from the unit and recharge on the wall mounted charging unit.

To recharge the battery, simply grip the top of the battery and depress the clip on the back of the battery. This will unclip the battery from the control box bracket and the battery can then be clipped into the wall mount charger. When the **charger** is plugged in the green **ON** light will illuminate. When the **battery** is correctly mounted to the charger, the orange **CHARGE** light will illuminate. When the battery is fully charged, the **CHARGE** light will **GO OFF** and the battery is ready for use.

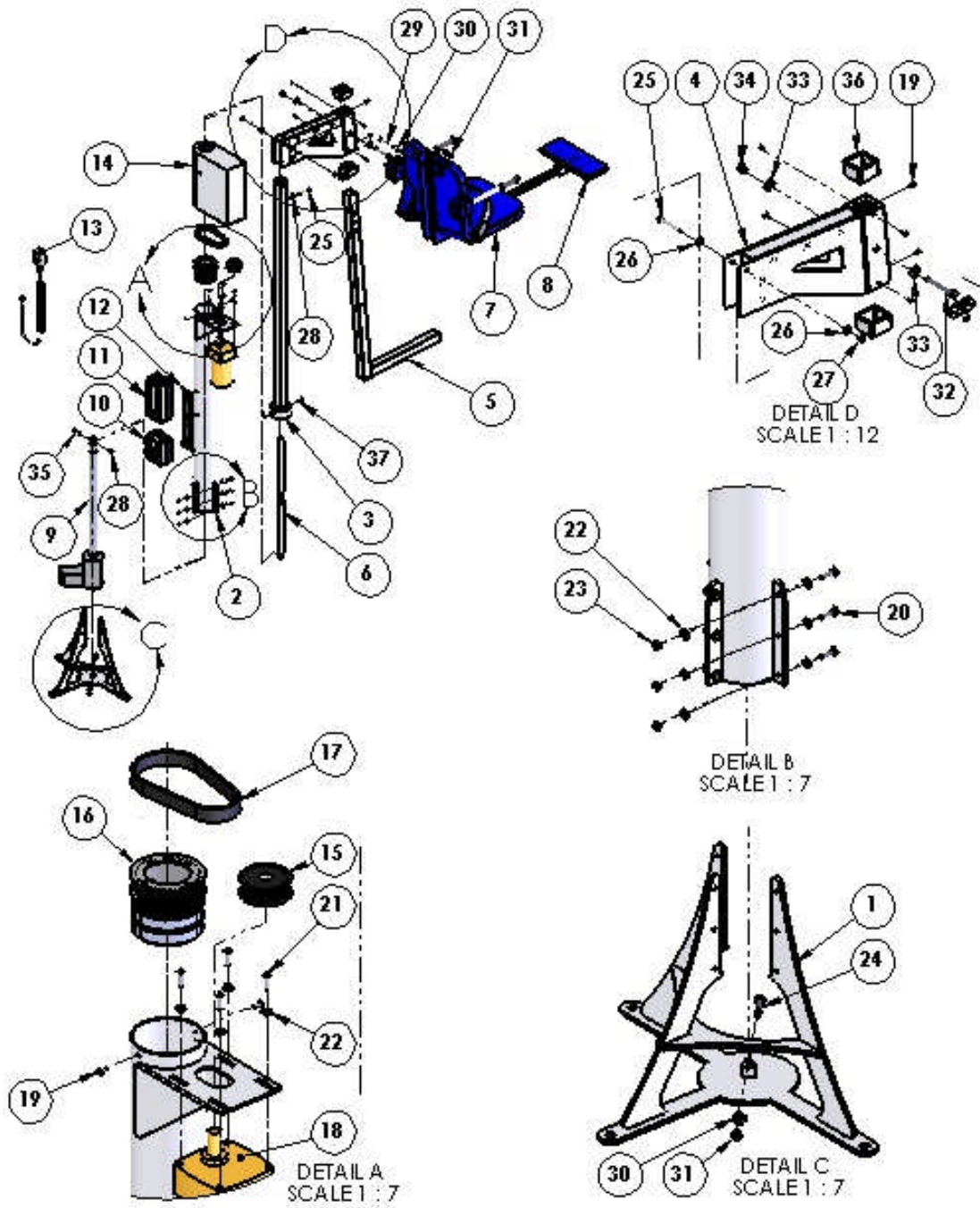
WHEN THE BATTERY IS NOT BEING USED IT SHOULD BE STORED ON THE CHARGER AND NEVER ON THE LIFT. DO NOT LEAVE THE BATTERY ON THE LIFT WHEN THE LIFT IS NOT IN USE.

BATTERY MAINTENANCE

1. **RECHARGE THE BATTERY AS OFTEN AS POSSIBLE**. The battery power unit is a sealed lead acid battery pack. Frequent recharges will prolong the battery life and maintain a high cold amperage capacity. THE BATTERY CAN BE STORED ON THE CHARGER WHEN NOT IN USE.
2. Do NOT expose the battery to freezing temperatures.
3. Do NOT expose the battery to prolonged periods of extreme heat or severe cold temperatures.
4. Do NOT expose the battery to long periods of direct sunlight. Heat will shorten your battery life. Optimum operating temperature is below 20 degrees Celsius (68 degrees F.)
5. Never drop or bump the battery pack. This may result in loose or damaged internal connections, and may bend the battery terminals.
6. Keep battery terminals clean and free from dirt and corrosion to ensure good contact. The terminals may be cleaned using Scotch Brite or any similar product. Clean off any corrosion or discoloration on the very top surfaces of the battery contacts and then apply dielectric grease (supplied with lift) as shown in the figure below.



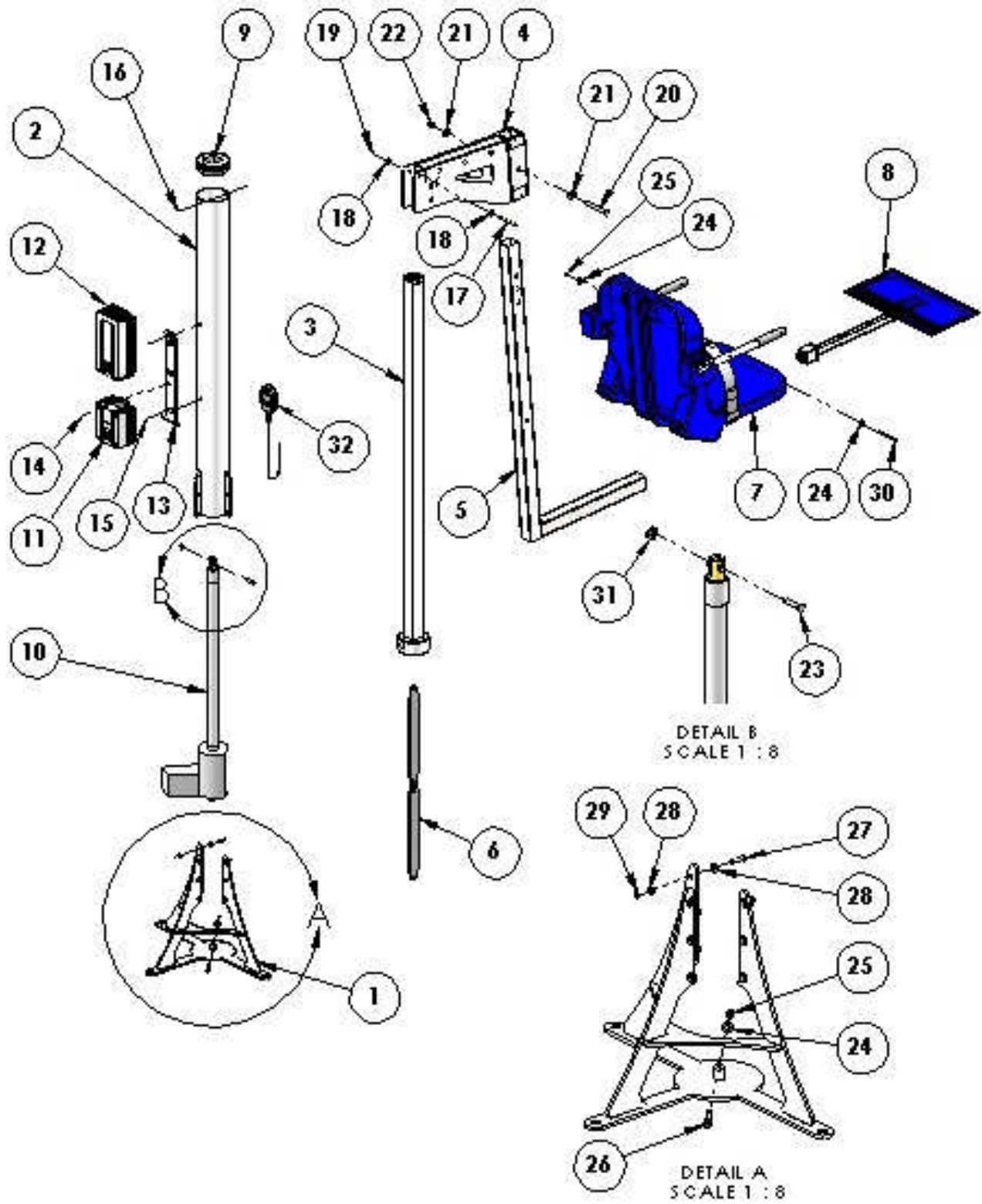
EXPLODED VIEW PRO SPA 40



PRO-SPA 40 PARTS LIST

ITEM #	QTY	PART NUMBER	DESCRIPTION
1	1	SPA/PSPAWM-SA-0904SBA	WELDMENT, BASE, SPA/PRO SPA
2	1	40WM-A-1050PSH	PRO SPA CYLINDER WELDMENT
3	1	SPA/PSPA-SA-1004SPS	PISTON ASSY, SPA/PRO SPA
4	1	SPA/PRO SPA UPPER ARM	SPA/PRO SPA UPPER ARM ASSEMBLY
5	1	SPA/PSPA-SA-1050CA	SPA/PRO SPA CHAIR ARM WELDMENT
6	1	P-0204SCR-B	CONNECTING ROD, SPA/PRO SPA
7	1	SA-0904CA-A	18" CHAIR ASSEMBLY
8	1	F-105LAR	LEGREST, PULL OUT
9	1	340461-00	ACTUATOR, LINAK, LA-34
10	1	CBJ2002NA001381	CONTROL BOX, LINAK, 2-PORT
11	1	BAJ1-U022-00	BATTERY, LINAK, 24 VOLT
12	1	MBJ2-01	BRACKET, MOUNTING, T SHAPED
13	1	HB00-U010-00	REMOTE, LINAK, PRO SPA
14	1	P-0204RMS	SHROUD, ROTATE MOTOR, SPA/PRO SPA
15	1	48281-I	PULLEY, TP P28-8M-20, 3/4 DF, SS KW
16	1	A-SLE100	ROTATE PULLEY CAP ASSEMBLY
17	1	480-8M-20	ROTATE TIMING BELT
18	1	4175	MOTOR, PARALLEL SHAFT DC GEARMOTOR
19	8	BOLT, 1/4-20 X 1/2 BHSCS	BOLT, 316 SS, 1/4-20 X 1/2 BHSCS
20	9	BOLT, 1/4-20 X 1 HCS	BOLT, 316 SS, 1/4-20 X 1 HCS
21	4	BOLT, 1/4-20 X 1 BHSCS	BOLT, 316 SS, 1/4-20 X 1 BHSCS
22	22	FLAT WASHER, 1/4 SS	WASHER, FLAT, 1/4, 316 SS
23	9	NYLOCK, 1/4-20 SS	NUT, 316 SS, NYLOCK, 1/4"-20
24	1	BOLT, 3/8 X 1 1/4 SHOULDER	BOLT, 18-8 SS, 3/8 X 1 1/4 SHOULDER, 5/16-18 THREAD
25	2	BOLT, 3/8-16 X 3 HCS	BOLT, 316 SS, 3/8-16 X 3 HCS
26	2	FLAT WASHER, 3/8 SS	WASHER, FLAT, 3/8, 316 SS
27	1	NYLOCK, 3/8-16 SS	NUT, 316 SS, NYLOCK, 3/8"-16
28	2	NUT, 3/8-16 HEX JAM	NUT, 316 SS, HEX, 3/8"-16, JAM NUT
29	1	BOLT, 5/16-18 X 4 HCS	BOLT, 316 SS, 5/16-18 X 4 HCS
30	3	FLAT WASHER, 5/16 SS	WASHER, FLAT, 5/16, 316 SS
31	2	NYLOCK, 5/16-18 SS	NUT, 316 SS, NYLOCK, 5/16"-18
32	1	BOLT, 1/2-13 X 4 HCS	BOLT, 316 SS, 1/2-13 X 4 HCS
33	2	FLAT WASHER, 1/2 SS	WASHER, FLAT, 1/2, 316 SS
34	1	NYLOCK, 1/2-13 SS	NUT, 316 SS, NYLOCK, 1/2"-13
35	1	BOLT, 3/8-16 X 1 1/4 HCS	BOLT, 316 SS, 3/8-16 X 1 1/4 HCS
36	2	P-SLE110	SLEEVE, UHMW, FOR SPA LIFT SEAT POLE
37	2	BOLT, 3/8-16 X 3/4 HCS	BOLT, 316 SS, 3/8-16 X 3/4 HCS

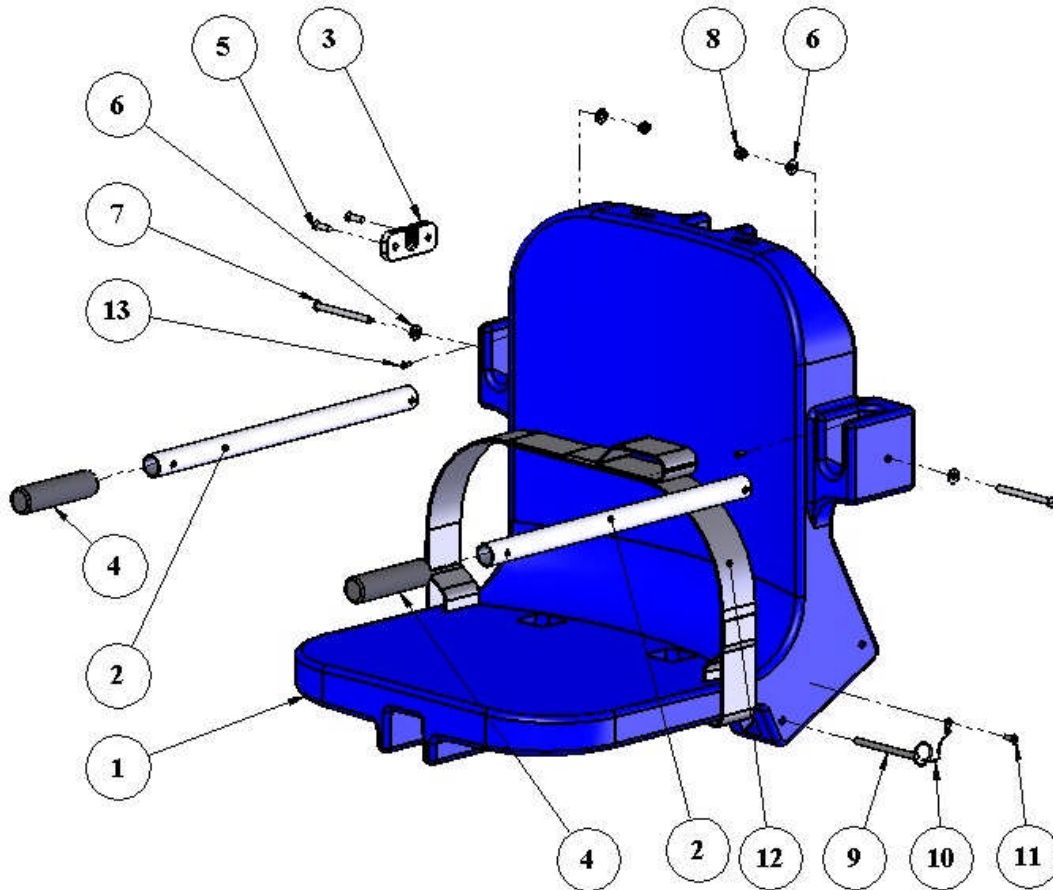
EXPLODED VIEW SPA LIFT



SPA LIFT PARTS LIST

ITEM #	QTY	PART NUMBER	DESCRIPTION
1	1	SPA/PSPAWM-SA-0904SBA	WELDMENT, BASE, SPA/PRO SPA
2	1	SPAWM-A-1050SH	SPA LIFT CYLINDER WELDMENT
3	1	SPA/PSPA-SA-1004SPS	PISTON ASSY, SPA/PRO SPA
4	1	SPA/PRO SPA UPPER ARM	SPA/PRO SPA UPPER ARM ASSEMBLY
5	1	SPA/PSPA-SA-1050CA	SPA/PRO SPA CHAIR ARM WELDMENT
6	1	A-0204SCR-B	CONNECTING ROD, SPA/PRO SPA
7	1	SA-0904CA-A	18" CHAIR ASSEMBLY
8	1	F-105LAR	LEGREST, PULL OUT
9	1	P-SLE105	CYLINDER ROTATE CAP
10	1	340461-00	ACTUATOR, LINAK, LA-34
11	1	CBJ2-U022-00	CONTROL BOX, SINGLE PORT, LINAK
12	1	BAJ1-U022-00	BATTERY, LINAK, 24 VOLT
13	1	MBJ2-01	BRACKET, MOUNTING, T SHAPED
14	1	M5 X 10MM LPCS	BOLT, 316 SS, M5 X 10MM LPCS
15	2	BOLT, 10-24 X 3/8 SHCS	BOLT, 316 SS, 10-24 X 3/8", SHCS
16	2	BOLT, 1/4-20 X 1/2 BHSCS	BOLT, 316 SS, 1/4-20 X 1/2 BHSCS
17	1	BOLT, 3/8-16 X 3 HCS	BOLT, 316 SS, 3/8-16 X 3 HCS
18	2	FLAT WASHER, 3/8 SS	WASHER, FLAT, 3/8, 316 SS
19	1	NYLOCK, 3/8-16 SS	NUT, 316 SS, NYLOCK, 3/8"-16
20	1	BOLT, 1/2-13 X 4 HCS	BOLT, 316 SS, 1/2-13 X 4 HCS
21	2	FLAT WASHER, 1/2 SS	WASHER, FLAT, 1/2, 316 SS
22	1	NYLOCK, 1/2-13 SS	NUT, 316 SS, NYLOCK, 1/2"-13
23	1	BOLT, 3/8-16 X 1 1/4 HCS	BOLT, 316 SS, 3/8-16 X 1 1/4 HCS
24	3	FLAT WASHER, 5/16 SS	WASHER, FLAT, 5/16, 316 SS
25	2	NYLOCK, 5/16-18 SS	NUT, 316 SS, NYLOCK, 5/16"-18
26	1	BOLT, 3/8 X 1 1/4 SHOULDER	BOLT, 18-8 SS, 3/8 X 1 1/4 SHOULDER, 5/16-18 THREAD
27	9	BOLT, 1/4-20 X 1 HCS	BOLT, 316 SS, 1/4-20 X 1 HCS
28	18	FLAT WASHER, 1/4 SS	WASHER, FLAT, 1/4, 316 SS
29	9	NYLOCK, 1/4-20 SS	NUT, 316 SS, NYLOCK, 1/4"-20
30	1	BOLT, 5/16-18 X 4 HCS	BOLT, 316 SS, 5/16-18 X 4 HCS
31	1	NUT, 3/8-16 HEX JAM	NUT, 316 SS, HEX, 3/8"-16, JAM NUT
32	1	HB00-U017-00	REMOTE, LINAK, 2 BUTTON

SEAT ASSEMBLY PARTS LIST



ITEM NO.	QTY.	PART NUMBER	DESCRIPTION
1	1	P-901	CHAIR, PLASTIC, 18" BLUE
2	2	P-2100FLA-38	CHAIR II ARMREST TUBE
3	1	P-1208HSB	BRACKET, PLASTIC, HANDSET BRACKET
4	2	RUBBER HAND GRIPS	GRIP, RUBBER HAND GRIP
5	2	SCREW, #12 X 3/4 FHSMS	SCREW, 316 SS, #12 X 3/4", FHSMS
6	4	FLAT WASHER, 1/4 SS	WASHER, FLAT, 1/4, 316 SS
7	2	BOLT, 1/4-20 X 3 1/4 BHSCS	BOLT, 316 SS, 1/4-20 X 3 1/4 BHSCS
8	2	NYLOCK, 1/4-20 SS	NUT, 316 SS, NYLOCK, 1/4"-20
9	1	COTTER PIN, 1/4 X 3 1/4	PIN, COTTERLESS PIN, 18-8 SS, 1/4 X 3 3/4
10	1	LANYARD	LANYARD, FOR FOOTREST PIN, SS
11	1	SCREW, #10 X 3/4 PHSMS	SCREW, 316 SS, #10 X 3/4", PHSMS
12	1	F-38SB	SEAT BELT, 2" WIDE BLACK W/ VELCRO
13	2	SCREW, #6 X 1/2 PHSMS	SCREW, 316 SS, #6 X 1/2", PHSMS

SAFETY & MAINTENANCE INSTRUCTIONS

1. Do not play on or around this lift
2. Check the SPA Lift before each use to assure there are no worn parts and that all hardware is properly tightened. If there are any worn parts, replace them **BEFORE** using the SPA Lift. You can call our customer service at 1-888-687-3552 to order any parts.
3. Aqua Creek Products, LLC shall be grounded per local codes.
4. At least **ONCE A WEEK**, the SPA Lift must be cleaned with fresh water. Do not spray the SPA Lift 24v battery unit directly with any pressure. Wipe all surfaces clean with a damp, non-abrasive cloth. When cleaning the SPA Lift, use non-abrasive soap and water. Avoid harsh chemicals and disinfectants.
5. Always read the label instructions on any cleaner carefully before applying it to a surface.
6. The **WARNING & INTENDED USE** labels on the SPA Lift need to be maintained in readable fashion. If they become unreadable or faded, please replace the immediately. Replacement labels are available from **AQUA CREEK PRODUCTS LLC**. 1-888-687-3552.

CARE OF YOUR LIFT

Routine cleaning is an absolute necessity to ensure the integrity of the lift. Note that the Aqua Creek Pool Lift should not be stored in a pump room or in a storage room where pool chemicals are kept. Storing the lift near pool chemicals may cause rusting and other damage to occur. Your Aqua Creek stainless steel lift is powder coated to protect the stainless steel from rusting. Most rusting will occur at weld points, crevices, under gaskets, rivets or bolt heads.

The choice of a proper cleaning product is up to the consumer and there are many to choose from. Depending on the type of cleaning and the degree of contamination (rusting), some products are better than others. For routine cleaning the products most recommended are gentle soaps or detergents or dilute mixtures of ammonia. For stubborn spots and stains try using soft scrub with some brisk rubbing.

DO NOT USE POOL WATER TO CLEAN USE ONLY FRESH WATER

If the lift is used **DAILY** make sure to wash the lift at the end of the day. Wash the lift off using a mild soap and a soft cloth. Make sure to pay special attention to weld points and crevices. Do not use a bristled brush or steel wool to clean the lift. Check that the lift is working properly and then place the battery on the charger. It is recommended that the battery be charged after every day of use.

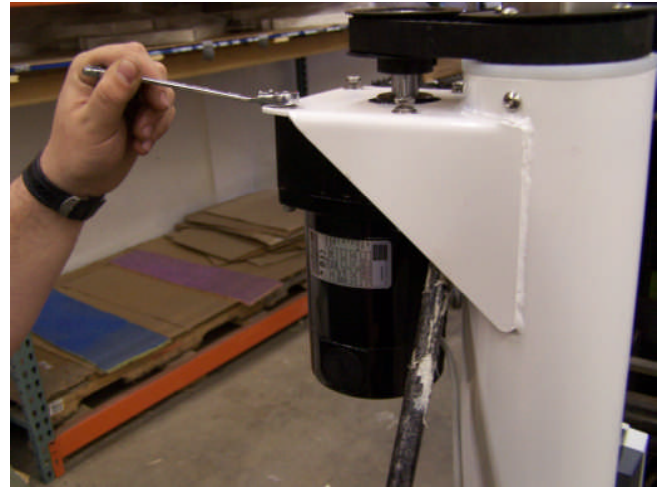
If the lift is used **WEEKLY** follow the same steps as above. Also be sure to check all of the contact points (terminals) for damage or corrosion. If you notice corrosion gently clean the terminals. To clean corrosion from the terminals use a q-tip and some rubbing alcohol. If the corrosion is particularly stubborn try using a 3M scotch brite pad, but be careful not to damage the terminals. Apply dielectric grease to the terminals after cleaning them. This will help to prevent further corrosion. Do not leave the battery on the lift. Always store the battery on the charger whenever the lift is not being used.

If the lift is used **MONTHLY** follow the same steps as above. Also check the nuts and bolts to make sure they are securely fastened (this is always a good idea, no matter how often or infrequently the lift is used). Also make sure to store the battery on the charger and not on the lift. Leaving the battery on the lift for extended periods will significantly shorten the battery's lifespan.

If the lift is being **STORED** for an extended period of time follow all of the steps above. Check for rusting at all crevice and weld points. If you notice rusting, apply some mild dish detergent to the affected area and take a 3M scotch brite pad and rub briskly. Afterwards, be sure to rinse the lift with clean water **NOT** pool water. When storing the lift make sure it is in a dry area and covered. **DO NOT STORE** in or around pool chemicals.

BELT TIGHTENING:

The drive belt should be checked periodically to ensure it is tight, to ensure that the lift rotates properly. To check the drive belt remove the motor shroud (see parts section) and check that the drive belt is snug and does not slip when the lift is rotated. If the belt slips or does not seem tight, tighten the belt using a pry-bar and a combination wrench as shown. Loosen all four bolts, use the pry-bar to tighten belt and hold it tight while retightening the bolts.



AQUA CREEK PRODUCTS

24V SPA/PRO SPA LIFT TROUBLESHOOTING GUIDE

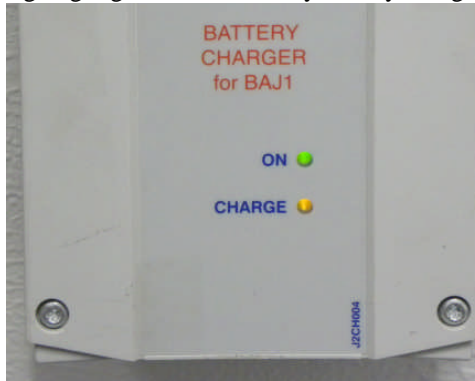
Before troubleshooting make sure the battery is fully charged.

If the lift doesn't move when the handset button is pressed:

When you can't get the lift to move check the following things:

1. Make sure the battery is fully charged:
 - A. Before charging the battery first make sure the **green** light on the front of the charger is illuminated (this means that the charger is on). Then check to make sure the silver contact points on the battery and charger are not damaged or corroded, and that they are clean. Then place the battery on the charger and look for the **orange** charge light to illuminate on the front of the charger. When the orange light goes off the battery is fully charged.

The top **green light** will always be illuminated indicating that it has power. When charging the battery the bottom **orange light** will illuminate, until fully charged.



- B. When the battery is correctly installed on the charger or control box you should hear a “click” indicating the battery is properly seated on the unit. Also note that when the battery is properly seated there should not be any gaps between the battery and the control box/charger.



Not attached properly. Note the white bracket is in front of silver clip, which will not allow for an electrical connection.



Properly Attached. Note that the white bracket is behind the silver clip. Not allowing movement.

If the battery is fully charged and the lift is not moving then:

2. Check all cords:
 - A. Check that the cords are properly plugged in. Start by unplugging the remote and the actuator cord from the control box. Once these cords are removed check the ends for corrosion or damage. Plug the remote cord back in by lining up the raised tab on the plug to the grooved line on the control box outlet. Note that these cords require some force to plug them in fully. You will know they are correctly inserted when you here a “popping sound”. The cords will be recessed into the outlet. If they are flush with the outside of the outlet they are not plugged in fully and the lift will not function. Make sure you do this for both cords.



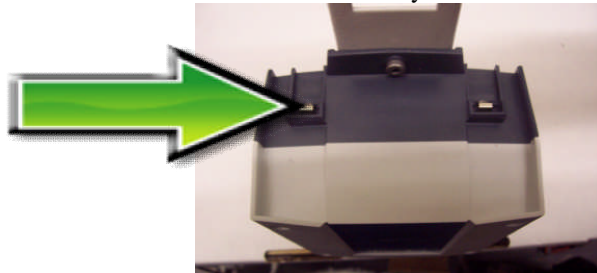
NOT inserted fully.



Fully inserted.

If you have checked all the cords and the lift still doesn't move:

3. Check the contact points:
 - A. After you have fully charged the battery and checked the cords to make sure they are properly plugged in, check to make sure the contact points are not corroded or bent. If the contact points are corroded take some rubbing alcohol and a q-tip and clean off the points. After cleaning the contact points it is recommended to put some dielectric grease on the contact points (terminals) to help ensure good electrical contact and prevent corrosion. Then reinstall the battery on top of the control box. Make sure you hear a “click”, which indicates that the battery is correctly seated. The lift will not work if the battery is not seated correctly.



Silver tabs are the contact (terminal) points.

If the lift stops moving over the water and is stuck:

4. Then try pushing the emergency button:

A. If the lift gets stuck out over the water use a pen or pencil tip and stick it into the emergency button on the front of the control box to retract the lift. Note the lift will not retract if the battery is not fully charged or if the control box is not working. The emergency button only overrides the remote in case it has gone bad. If this does not retract the lift then chances are the remote is fine and you either have a problem with the battery, the control box, or the cords are damaged or not plugged in properly.

Use a pen or pencil tip to push in the small black circle located next to the word **emergency**, on the front of the control box.



Aqua Creek Products, LLC Limited Lifetime Warranty:

THE SPA & PRO SPA 40 LIFTS

Aqua Creek Products lifts have a **Limited Lifetime Warranty** on the frames, not including the powder coat finish. Aqua Creek Products, LLC (a.k.a. Aqua Creek) also warrants to the original end user that all non-frame components manufactured by Aqua Creek, when properly installed in accordance with assembly and installation instructions, and properly used and maintained, shall be free from defects in material and workmanship for a period of five (5) years from the date of original purchase, provided that Aqua Creek receives prompt notice in writing of any defect or failure and satisfactory proof thereof, with the following exceptions:

Exception: All electrical components, including the linear actuator shall have the following warranty period:

Year 1-2: 100% Coverage

Year 3: 60% Coverage (Customer is responsible for 40% of replacement cost)

Year 4: 50% Coverage (Customer is responsible for 50% of replacement cost)

Year 5: 40% Coverage (Customer is responsible for 60% of replacement cost)

This warranty specifically excludes reimbursement for labor to remove, repair, or install the product and any return freight charges. These warranties do not cover any damages due to accident, misuse, abuse, negligence or failure to properly maintain any products, or normal wear and tear from day to day operations. In the event that any products are altered, repaired, or improperly installed or improperly used by anyone without the prior written approval by Aqua Creek, all warranties are void. **IMPORTANT: AMOUNT OF WEIGHT PLACED ON LIFT SHALL NOT EXCEED THE RATED LIFTING CAPACITY FOR THE LIFT. NEVER OPERATE THE LIFT UNDER LOAD IN A DRY POOL (WITH NO WATER IN THE POOL).** It is the responsibility of the lift owner to verify the weight of the patron for warranty claim purposes and to ensure that the lift is not overloaded.

To initiate a warranty claim, the owner of an Aqua Creek product must provide the place of purchase, in writing, with a full description of the product, its serial number, the dates of purchase and installation, and the exact nature of the defect. Within thirty (30) days after receipt of a written warranty claim by Aqua Creek, and barring any unforeseen delays, the place of purchase will be notified of Aqua Creek's decision regarding the claim.

If requested by Aqua Creek, any defective product must be returned, freight prepaid, to Aqua Creek's designated factory location or duly appointed distributor for inspection and/or repair. Aqua Creek will, at its option, repair or replace the failed or defective item, and deliver the repaired product or replacement to the buyer of the product, freight prepaid to the destination provided for in the original order. Products returned to Aqua Creek for which Aqua Creek provides replacement under this limited warranty shall become the property of Aqua Creek. A new warranty period shall **NOT** be established for the repaired or replaced products. Such products shall remain under warranty only for the remainder of the original warranty period on the original products purchased.

This written limited warranty constitutes the final, complete and exclusive statement of warranty terms. No person or organization is authorized to make any other specific or implied warranties or representations on behalf of Aqua Creek.

THE WARRANTIES SET FORTH HEREIN ARE IN LIEU OF ALL OTHER WARRANTIES, EXPRESSED OR IMPLIED, WHICH ARE HEREBY DISCLAIMED AND EXCLUDED, INCLUDING WITHOUT LIMITATION ANY WARRANTY OF MERCHANTABILITY OR FITNESS FOR A PARTICULAR PURPOSE OR USE.

THE SOLE AND EXCLUSIVE REMEDIES FOR BREACH OF ANY AND ALL WARRANTIES WITH RESPECT TO THE PRODUCTS SHALL BE LIMITED TO REPAIR OR REPLACEMENT AT AQUA CREEK'S DESIGNATED FACTORY LOCATION, OR DULY APPOINTED DISTRIBUTOR, OR IN PLACE AT AQUA CREEK'S OPTION. IN NO EVENT SHALL AQUA CREEK'S LIABILITY EXCEED THE ENTIRE AMOUNT PAID TO AQUA CREEK BY THE ORIGINAL PURCHASER FOR THE FAILED OR DEFECTIVE PRODUCT.

IN NO EVENT SHALL AQUA CREEK PRODUCTS, LLC BE LIABLE FOR ANY INCIDENTAL, CONSEQUENTIAL, SPECIAL, INDIRECT, PUNITIVE OR EXEMPLARY DAMAGES OR LOST PROFITS FROM ANY BREACH OF THIS LIMITED WARRANTY OR OTHERWISE.

THIS WARRANTY GIVES YOU SPECIFIC LEGAL RIGHTS AND YOU MAY ALSO HAVE OTHER RIGHTS, WHICH MAY VARY FROM STATE TO STATE. SOME STATES DO NOT ALLOW THE EXCLUSION OR LIMITATION OF INCIDENTAL, SPECIAL OR CONSEQUENTIAL DAMAGES, SO SOME OF THE ABOVE LIMITATIONS OR EXCLUSIONS MAY NOT APPLY TO YOU.