

USERS MANUAL

HW2 Bariatric Manual Wheelchair



HEARTWAY MEDICAL PRODUCTS CO., LTD. Part no: 70030260

TABLE OF CONTENTS

1. INTRODUCTION & SAFETY.....	3
2. SPECIFICATIONS.....	4
3. MANUAL WHEELCHAIR ADJUSTMENT.....	5
4. MAINTENANCE.....	8

1. INTRODUCTION & SAFETY

Welcome to Heartway Medical Products Co., Ltd. We truly appreciate your new purchase order on our model HW2. We are confident that this design features will provide you with the conveniences you expect during your daily activities. Once you understand how to safely operate this product for the first time, its safety and performance will give you years of trouble free operation and service.

WARNING:

Do not operate this product without first reading and understanding the warnings, cautions, and instructions in this manual. If you are unable to understand the warnings, cautions, and instructions, contact with our authorized dealer before attempting to use this equipment – otherwise injury or damage may result.

Read and follow all instructions, warnings, and notes in this manual before attempting to operate this product for the first time. In addition, your safety depends upon you, as well as your provider, caretaker, or healthcare professional in using good judgement.

If you experience any problems with your wheelchair that you are unable to resolve, or if you do not feel capable of safety following any of the instructions and/or recommendations contained in this manual, please contact our authorized dealer for assistance.

2. SPECIFICATIONS



HW2

MODEL	HW2
WEIGHT CAPACITY	295kgs(650lbs)
FRONT CASTOR	9"
DRIVE WHEEL	24" X 2.125"
LENGTH	46" (1168mm)
WEIGHT(NW)	35KG(77lbs)
WIDE	36" (914mm) / 38" (965mm)
HEIGHT	40"(1010mm)
SEAT WIDTH	26"/28"
SEAT HEIGHT (w/cushioin)	20-1/2"(520mm)
SEAT DEPTH	18"~22" (458mm~560mm)
FOOTRESTS	18" (458mm)

Heartway Medical Products Co., Ltd.

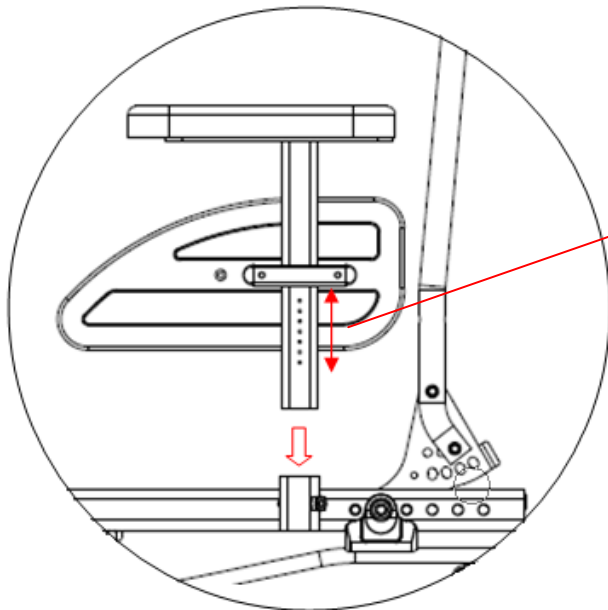
No. 6, Road 25, Taichung Industrial Park, Taichung 408 Taiwan

TEL: 886-4-23580357 , FAX: 886-4-23590786



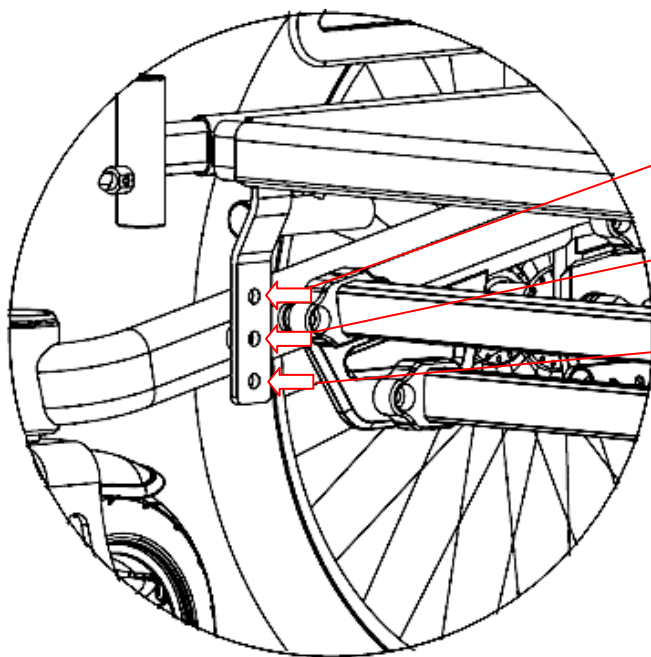
3. MANUAL WHEELCHAIR ADJUSTMENT

- The arm-rest height is adjustable.



Height adjustable range is 40mm

- The seat can be tilted and lowered according to the 3 adjustments below.

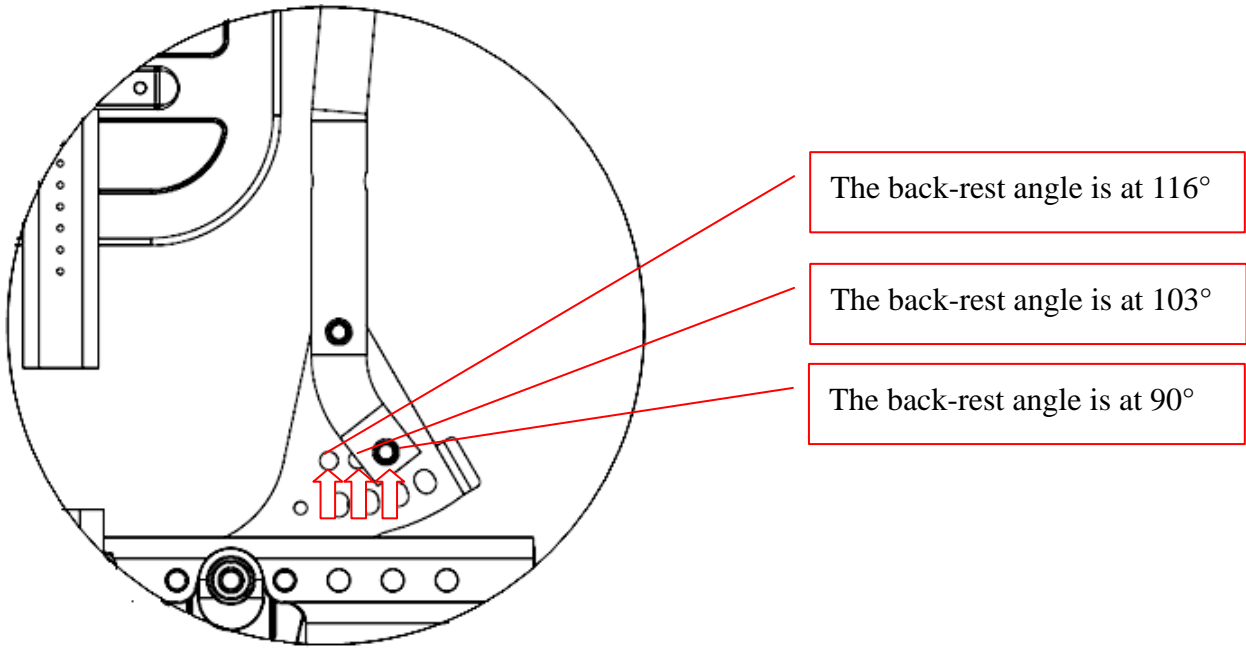


The seat angle is at 86°

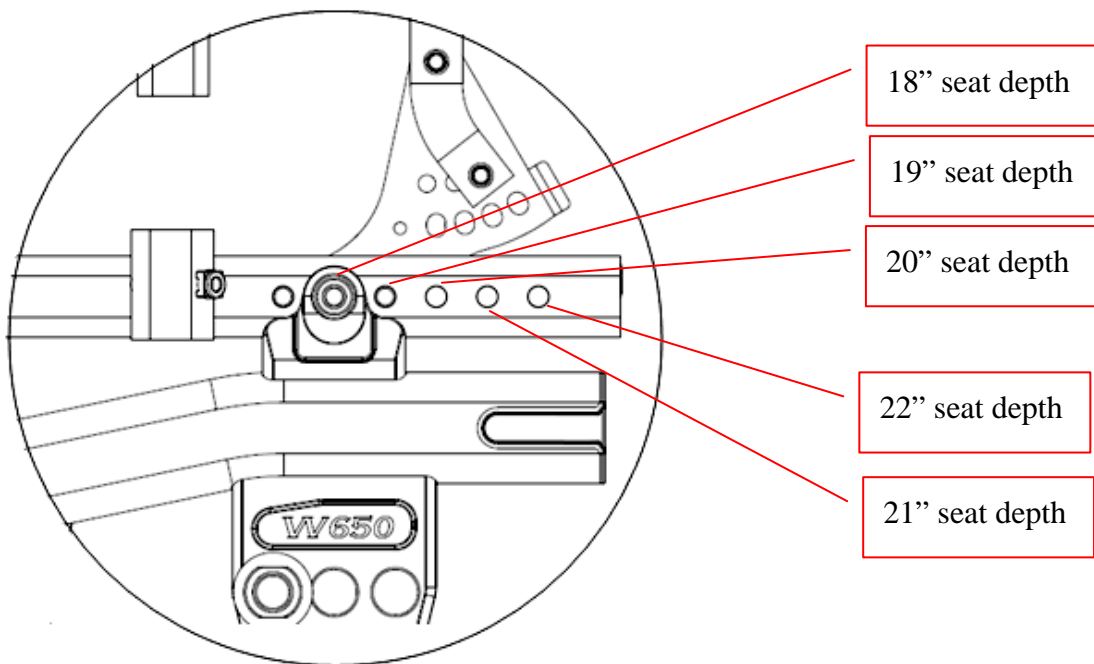
The seat angle is at 90°

The seat tilt angle is at 94°

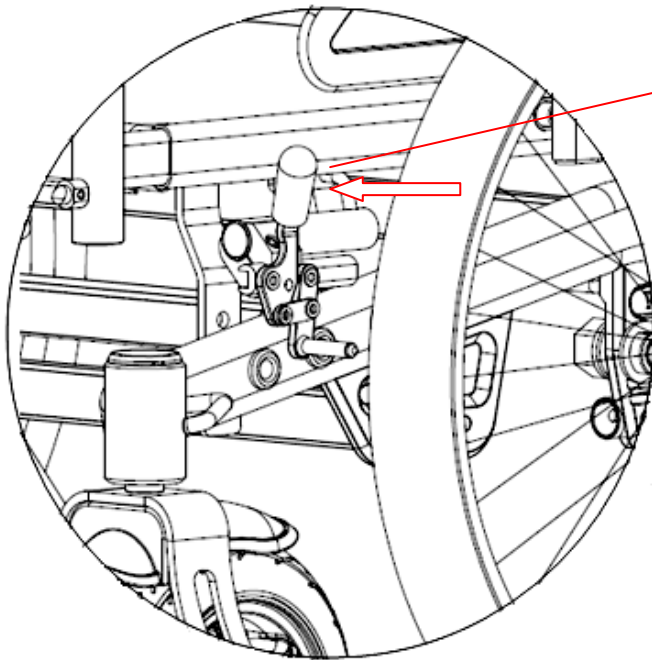
- The backrest angle can be adjusted according to the 3 adjustments below



- The seat depth is adjustable from 18"~22", altogether 5 adjustment holes available.



- Activate the wheel locks by pushing the handle forward. To adjust locks, loosen the bolts and nuts that pass through the mounting bracket and frames.



Push the handle forward to lock the wheel.

CAUTION:

When leaving or entering chair, **ALWAYS ENGAGE BOTH LOCKS.**

Inspect wheel locks regularly to check that they are in proper adjustment

4. MAINTENANCE

Maintenance is an important part of wheelchair ownership. There are two types of maintenance: preventive (routine) and corrective. Preventive maintenance enables you to help extend the life of your wheelchair by catching potential problems before it becomes necessary to correct them. Corrective maintenance is what you must do when your wheelchair needs immediate repair.

Preventive maintenance

In addition to your pre-ride checks, you can pay particular attention to your drive wheels and the overall appearance of your wheelchair. Keep your wheelchair clean. This will help prevent dirt and other contaminants from getting into places where it doesn't belong, like the drive wheel bearings, the frame hinges or the caster bearings. Drive wheel and caster bearings are sealed and do not require lubrication.

We recommend you follow the following maintenance checks:

- Ensure that all parts are securely fastened to your wheelchair
- Check for proper tire inflation
- Check for drive tire and caster tire wear. If they are worn excessively, then replace them. If they appear to have worn unevenly, then contact your authorized dealer before replacing them.
- Check the park brakes. After several months of use, you may find it necessary to adjust the park brake so that they lock securely when engaged. Please see the adjustment section for reference of park brake adjustment methods.
- Check the caster wheel free swivel

To keep your wheelchair clean, use a damp cloth and wipe down. Don't use a hose. This could force moisture into the caster swivel or the drive wheel hub. Always use soapy water on the seat and dry it thoroughly before using.

Corrective maintenance

If you feel that your wheelchair's performance has degraded or is not operating correctly, contact our authorized dealer. All components should be provided by our authorized dealers while the unit is still under warranty. We do not recommend that you remove any parts and send them back for repair without first contacting our authorized dealer.