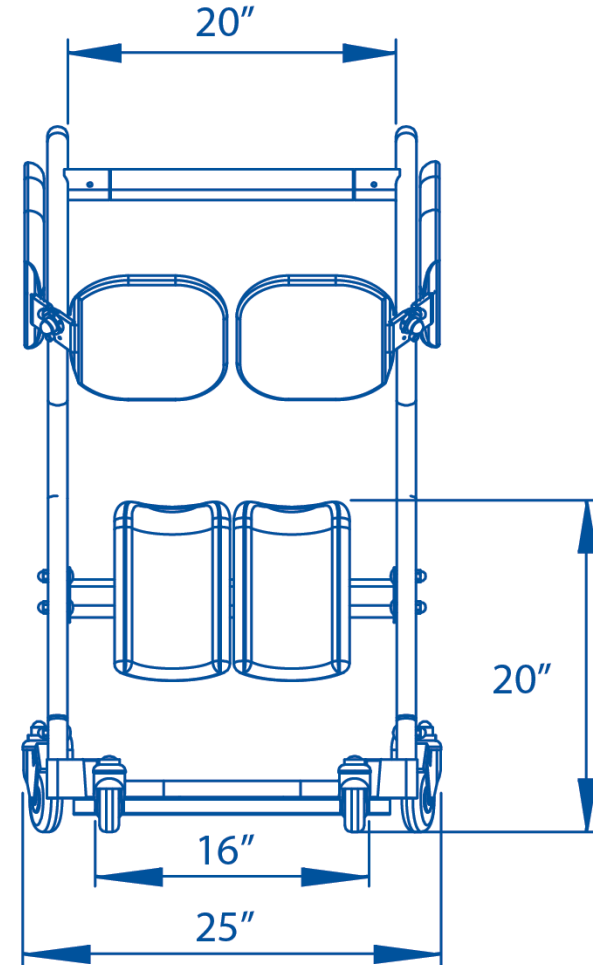
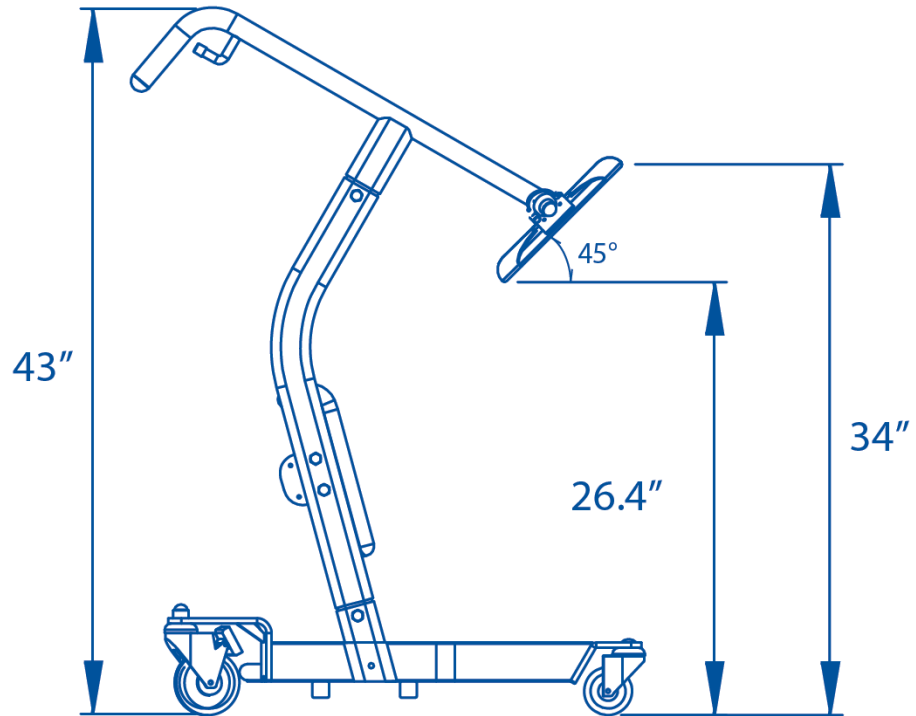


Dimension of STA400

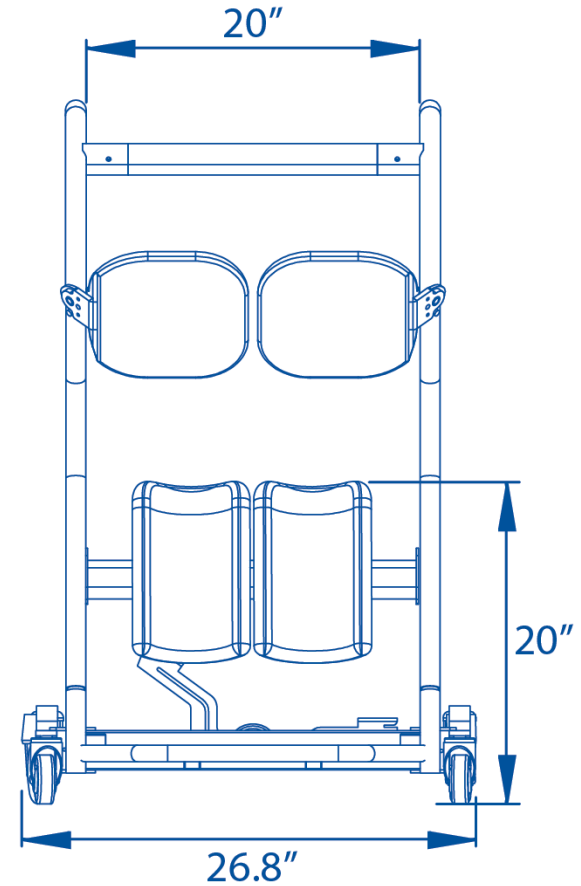
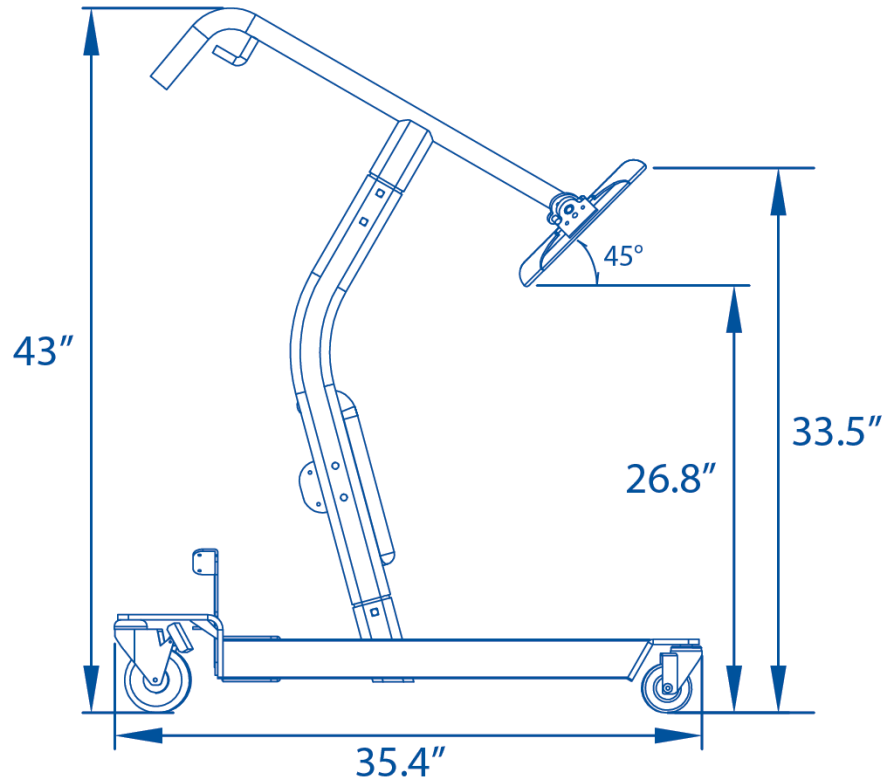
400LB / 180KG CAPACITY



⊗ Specifications are a guideline only and are subject to change without notice.

Dimension of STA450

450LB / 205KG CAPACITY



⊗ Specifications are a guideline only and are subject to change without notice.