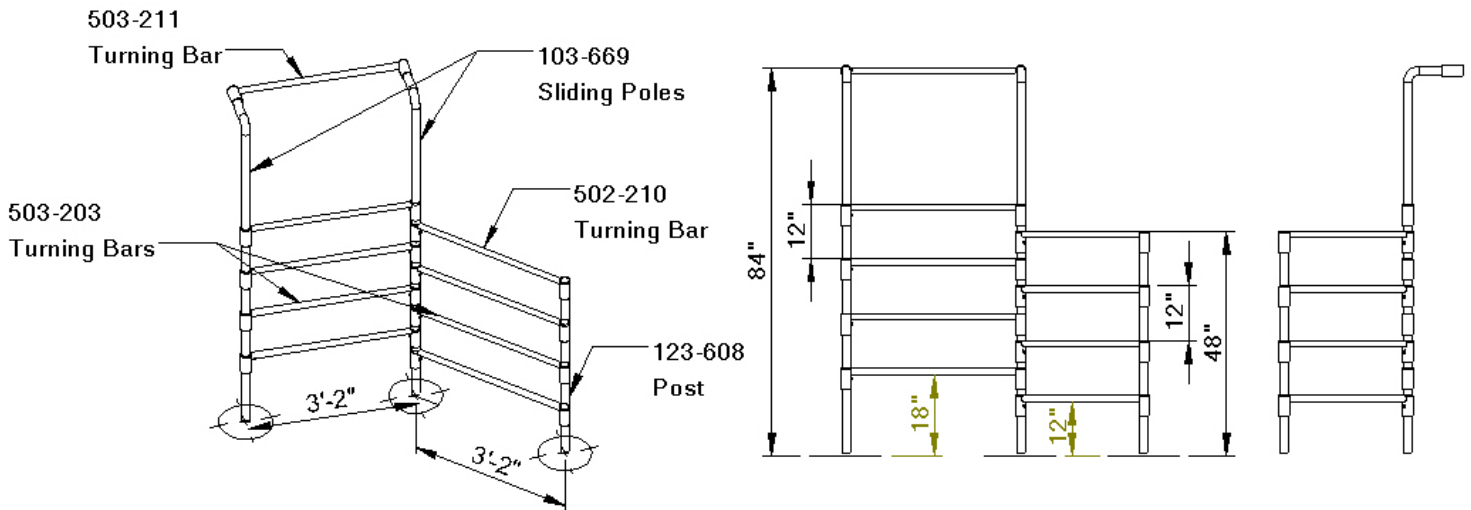


511-102 Stall Bar Fence

IMPORTANT

PLEASE READ THESE INSTRUCTIONS BEFORE COMMENCING ASSEMBLY. All equipment must be installed in accordance with these instructions. Check your shipment against Bill of Lading and Parts list. Any missing or broken parts must be reported to your distributor within 10 days of receipt of your order. When properly installed and maintained, equipment will give many years of Safe, Trouble-Free use. Periodically check for loose or broken parts. Loose bolts must be tightened and broken parts must be replaced as they can possibly create dangerous situations leading to unnecessary accidents. Resilient Surfacing should be used under all playground equipment. Appropriate publications, available at no charge, from the Consumer Product Safety Commission, include "A Handbook for Public Playground Safety". You can receive your free copy by calling 1-301-504-7908.



PACKING LIST

1 CTN	- 1 Hardware Bag
1 PIPE	- 1 123-608 Post 1 7/8" OD x 6' Long
2 PIPE	- 2 103-669 Pole
1 BDL	1 503-210 Turning Bar
	1 503-211 Turning Bar
	1 503-203 Turning Bar
1 BDL	6 503-203 Turning Bar

HARDWARE BAG

18	- 196-802 1/2" x 1/2" Socket Set Screw
1	- 416-400 3/4" Socket Key
1	- 805-532 Warning Label
1	- 805-534 SportsPlay Label
1	- Maintenance Checklist

1 CTN	2 BDL	3 PIPE	6 TOTAL PCS	WT 100#	CLASS 70
-------	-------	--------	-------------	---------	----------

511-102 Stall Bar Fence

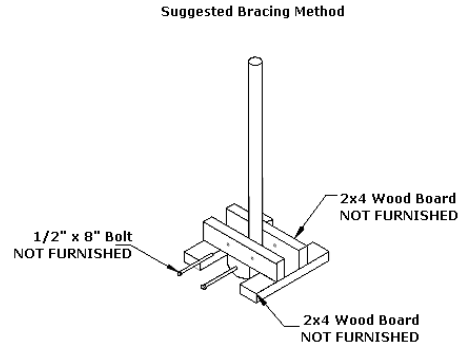
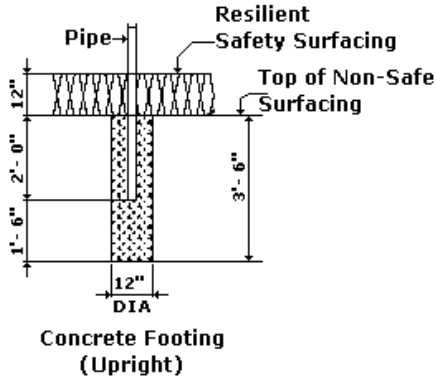
GENERAL USE/FALL ZONE & FOOTING RECOMMENDATIONS

Use/Fall Zones should extend a minimum of 6 Feet in All Directions from the Perimeter of the Equipment Ground Space. This area should be covered with the required amount of Resilient Safety Surfacing Material. For Some Equipment Use/Fall Zone can overlap. See Consumer Product Safety Commission Guidelines.

Diameter and Depth of Footing Illustrated are Satisfactory in Most Applications for pipe sizes Up to 2-3/8" Diameter. Varying Soil and Climatic conditions may require Deeper and Heavier Footings in Some Areas. Check Local Building Codes.

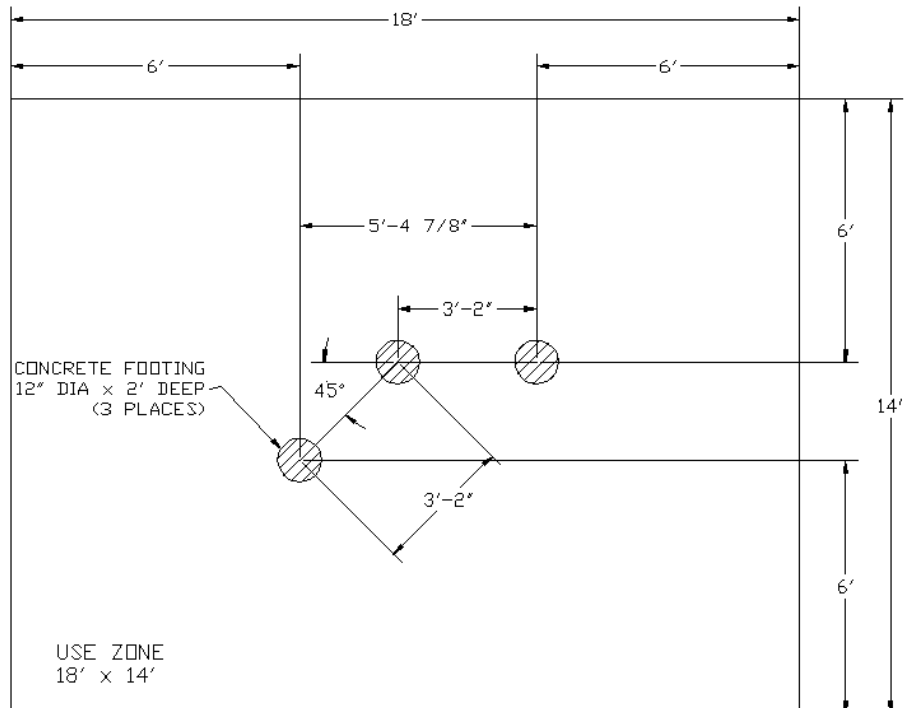
DETAIL: Permanent Installation

Suggested Bracing Method



* If resilient surfacing is to be less than 12", then additional pipe should be put in concrete to maintain proper finish grade for equipment.

FOOTING LAYOUT AND USE AREA



511-102 Stall Bar Fence

Page 3
Rev 08/21/2008

GENERAL ASSEMBLY INSTRUCTIONS

Check all the parts and hardware with the packing list to be sure you have received everything needed to assemble this product. CONTACT YOUR LOCAL DISTRIBUTOR NOTIFICATION OF ANY MISSING OR DAMAGED PARTS. Contact must be made within ten days of receipt of your order.

Only hand-tighten nuts & bolts on initial assembly. Final tightening should be done EVENLY after final assembly when unit has been plumbed & leveled.

After assembly is complete, ANY ENDS OF BOLTS PROTRUDING BEYOND NUTS SHOULD BE CUT OFF AND/OR PEENED OVER TO REMOVE ANY SHARP PROJECTIONS. Go over entire unit to file smooth any sharp edges or projections that may have been caused by rough handling in shipping or installation.

GENERAL MAINTENANCE INSTRUCTIONS

Check MONTHLY for loose bolts, damaged or broken parts. Tighten and/or replace immediately.

SPECIFIC ASSEMBLY INSTRUCTIONS

NOTE: All threaded ends of bolts protruding beyond nuts must be cut off and/or peened to eliminate sharp edges. No more than two threads should extend beyond face of nut. All washers, "T" nuts, and other fastener hardware used on round pipe or tubing must be hammered down to conform to the curved underlying surface to eliminate catch points.

STEP #1: Mark & dig footing holes per Diagram on PAGE #2.

STEP #2: Align & position all Turning Bars per the dimensions & location on Page 1. Position & brace in footing holes. Attach braces to legs to hold proper height. Length of pipe legs below intended level of resilient surfacing should be 24". Two long braces holding 2 legs each are recommended.

STEP #3: Plumb & level. Tighten all nuts & bolts so that lock washers are flat. Pour concrete. Let stand 48 hours before removing braces, installing resilient surfacing and using equipment.

STEP #4: Attach Warning Label and Manufacturer's Identification Label to a clean surface. The labels should be attached in a location where they are clearly visible and legible and away from normal hand and foot placement areas. The labels must be replaced if they become illegible, destroyed or removed. Contact your distributor for replacement labels.