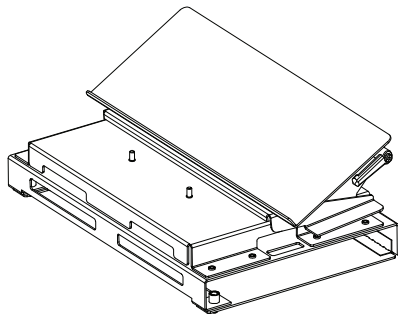
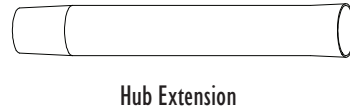
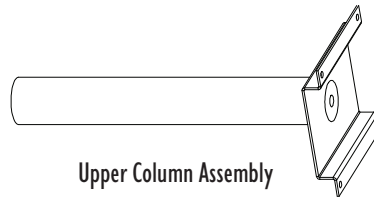
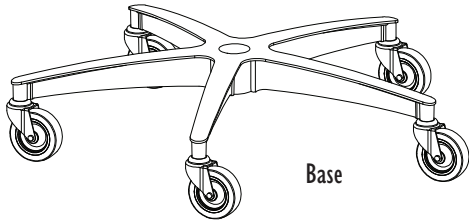


Instruction Sheet

Security Laptop Stand #350306



Small Parts Kit Including:

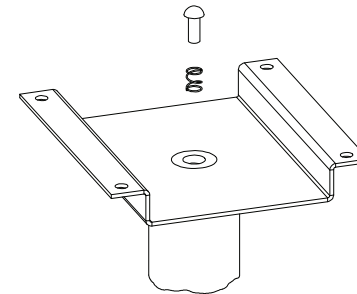
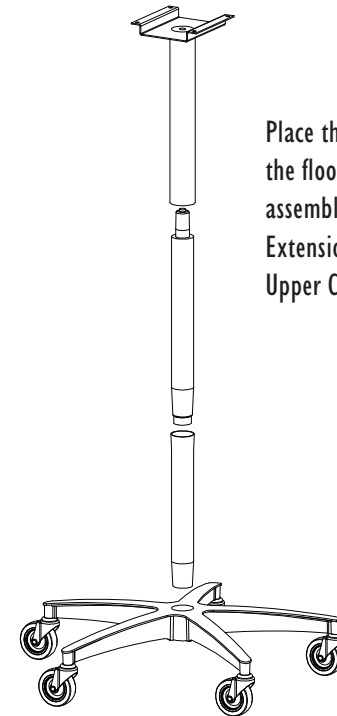
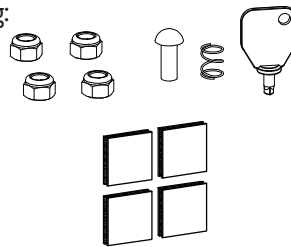
1/4-20 Nut Qty: 4

Plunger - Qty: 1

Spring - Qty: 1

Security Key - Qty: 1

Dual Lock - Qty: 4

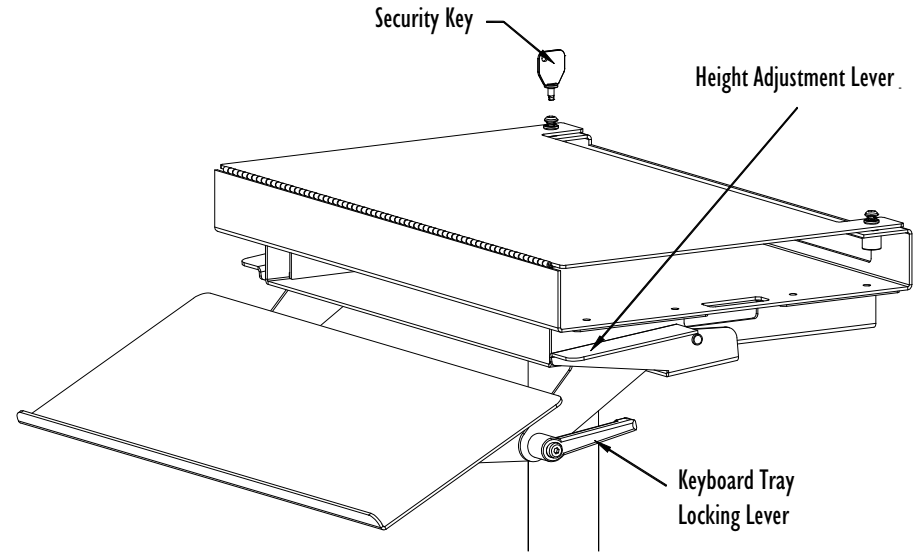
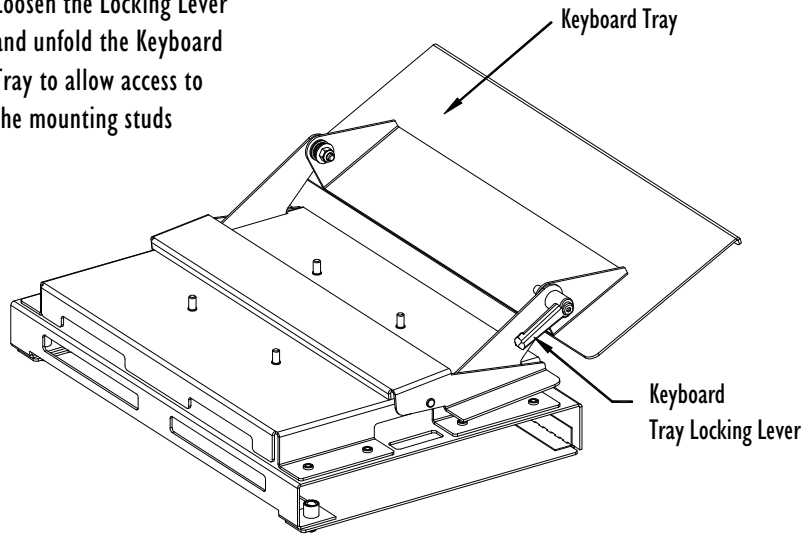


Unpack the cartons and check carefully to determine that all of the above components have been supplied. Note that a 7/16" wrench is required for assembly.

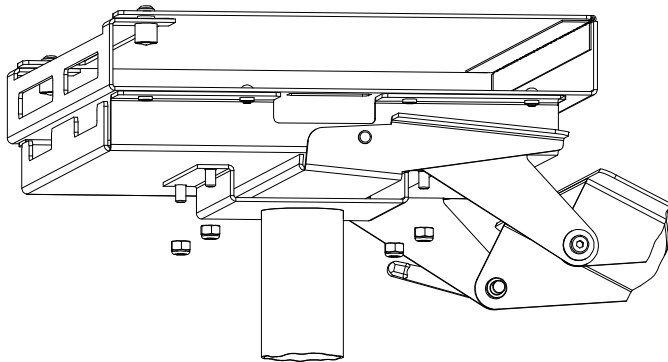
Instruction Sheet

Security Laptop Stand #350306 (Keyboard Tray)

Loosen the Locking Lever and unfold the Keyboard Tray to allow access to the mounting studs



To open the cover and insert your computer, use the Security Key to turn the fasteners 1/4 turn counter-clockwise. The fastener should pop up to give a visible indication that it is unlocked. To refasten, use the key to push the fastener back into its socket and turn clockwise until locked.



Place the Housing/Keyboard Tray Assembly onto the Upper Column Assembly. Thread the nuts onto the mounting a 7/16" wrench

MANUFACTURERS OF **IBEAM** PRODUCTS
OMNIMED INC.

800 Glen Avenue • Moorestown, N.J. 08057

800.257.2326 • FAX: 856.359.2249

www.omnimedbeam.com