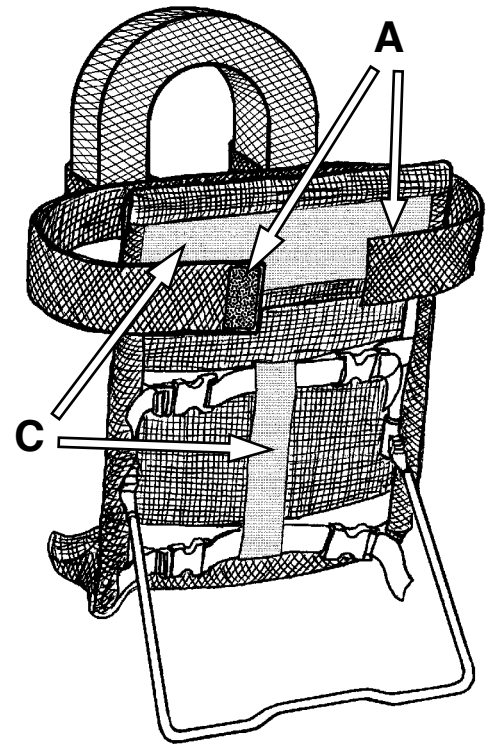
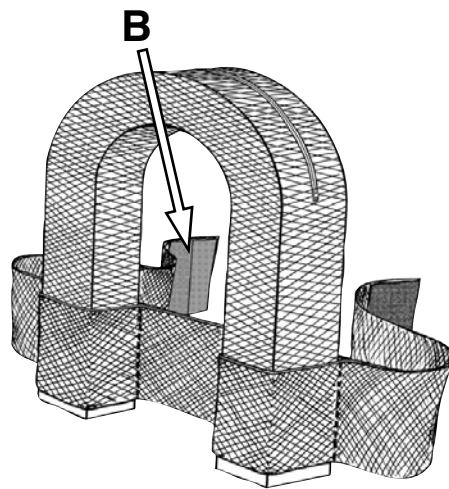


The Surfer Bather Head Support consists of a, U-shaped foam support with removable netting cover and a netting strap which is attached to the Surfer Bather backrest and fastened by Velcro™.

## To fit the head support

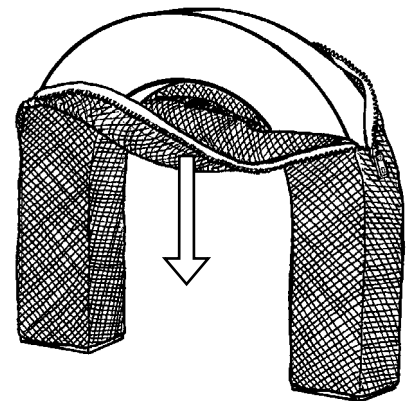
- Position the head support, wrap the strap around the backrest and secure tightly using the Velcro™ patches (A).

**Note:** the two narrow loop and hook strips on the inside face of the strap (B) can fasten to the respective Velcro™ panels on the rear of the backrest (C), in order to keep the head support in the desired position.



## To remove the cover from the foam

- Remove the foam and cover from the two pockets on the strap.
- Unzip the cover and pull it away from the foam in the direction of the arrow, allowing the cover to turn inside out as it is removed.



## Routine Cleaning

The cover and strap can be machine washed to 60°C and tumble dried. Do not iron.

The foam should be hand washed only, in warm water with detergent and thoroughly rinsed in clean water to remove all soap deposits. Gently squeeze the foam to remove surplus water and leave to air dry.

## Storage

Ensure that the foam, cover and strap are thoroughly dry before storing.

Mangar International reserves the right to alter product specifications and/or any of the information contained within this document without notice.