

R82[®] 

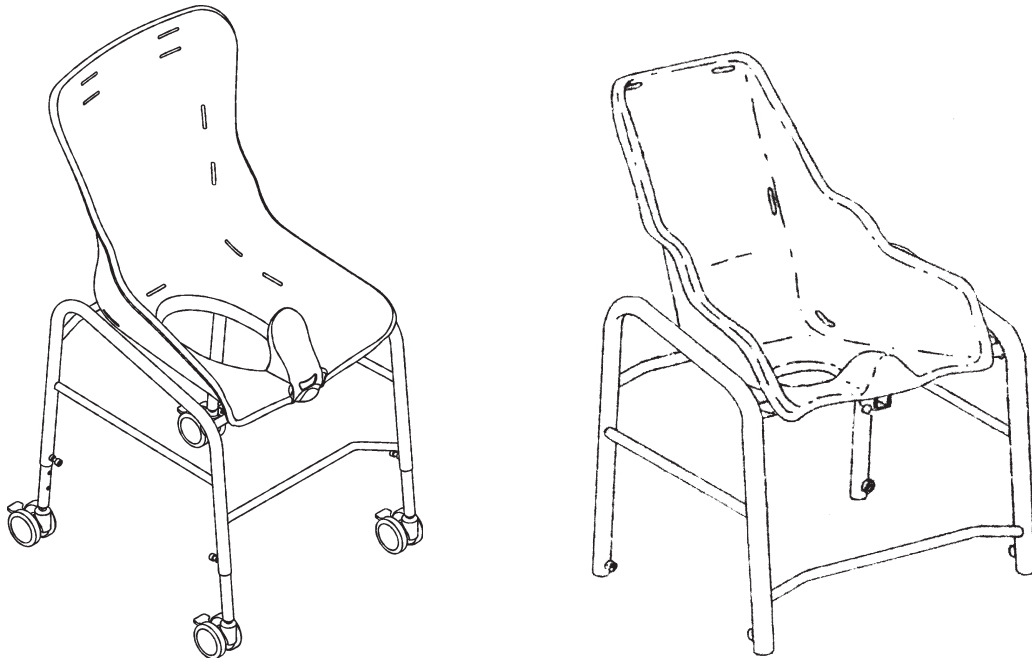
swan[™]

English user manual

G
B

GB CONTENTS

Safety	4
Warranty	4
Washing.....	4
Tools	4
Maintenance	5
Preparing for use	5
Height Adjustment	6
Seat angling.....	6
Mounting wheels.....	7
Disassembling the wheels	7
Headrest	8
Mounting various belts.....	8
Mounting the upholstery	9
Splash guard	10
Mounting the pan.....	10
Footrest	10
Vest and crossvest	12
Foot straps.....	12
Hip belt	13
H-belt	13
Product identification	14
Measurements.....	15
Technical data.....	16
Producer	16
Distributor	16



GB SWAN

The Swan is a classic commode from R82. The seat is made of fibre glass and the frame of powdercoated and stainless steel respectively, which means the Swan is also splendid as a bathing chair.

The Swan has been especially developed by R82 after many years of experience designing and manufacturing custom-made aids for disabled children and adults. The ergonomic design of the chair and its many functions and features offer the user and the caregiver the highest possible standards of comfort and safety.

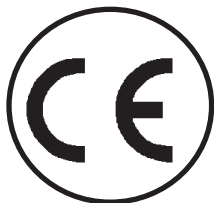
The Swan glides over most toilets, or it can be equipped with a commode pan. The Swan is available in 6 different sizes with an extensive range of accessories.


The seat tilts 45° and the legs are height adjustable so that the seat can be adjusted 17 cm in height.


SAFETY


The Swan has earned the CE-mark. This certifies that it meets all relevant European safety requirements.


The durability of this product is 5 years when it is used on a daily basis. Hereafter the product must be renovated (by R82 personnel) to extend the lifetime.



 Remove the CE-mark, when rebuilding the product or when using other than original R82 spare parts and fittings.

 Never leave your child unattended in this product. Ensure constant supervision by an adult. Incorrect use of the product, may cause serious injury to the user. Ensure that the belt is securely fixed to the product before every use.

 The chair is constructed for one user only. Do not place more than one user in the chair.

 The latest version of the manual is always available online: www.R82.com

WARRANTY

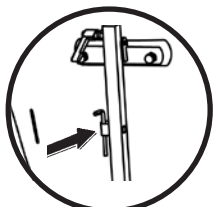
R82 offers a 2-year warranty against defects in workmanship and materials. The warranty would be adversely affected if the customer's responsibility of servicing and/or daily maintenance is not carried out according to the guidelines and intervals prescribed by the supplier and/or stated in the manual. For further information, we refer to the R82 homepage/download. The warranty can only be sustained if the R82 product is in use in the same country where it was purchased and if the product can be identified by the serial number. The warranty does not cover accidental damage, including damage caused by misuse or neglect. The warranty does not extend to non-durable parts, which are subject to normal wear and tear and need periodic replacement. The warranty is null and void if non-original R82 parts/accessories are used, or if the product is repaired or altered by anyone other than an authorised R82 representative or by trained personnel officially recognised by R82 for repair and maintenance of R82 products. R82 reserves the right to inspect the product being claimed for and the relevant documentation before agreeing to the warranty claim, and to decide upon whether to replace or repair the defective product. It is the customer's responsibility to return the item being claimed for under warranty to the address of purchase. The warranty is given by R82 or, subsequently, an R82 dealer.

WASHING

It is important to keep the frame clean to maintain the warranty of the chair. The upholstery is washable by hand at 50°C.


TOOLS


On the back of the chair you will find a 6 mm Allen key. This key is used to perform some of the adjustments described in this manual.



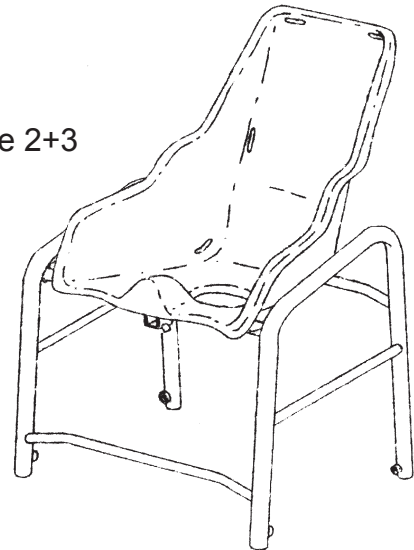
GB MAINTENANCE

Clean the chair frequently. Use a concentrate of acetic acid if calcareous deposits turn into a problem. Rinse off after 10-15 minutes with clean water.

 Do not use any cleaning materials containing chlorine or methylated spirit.

 Adjustments which are not described in this manual, must only be made by authorized R82 personnel.

Size 2+3




GB PREPARING FOR USE

Follow the instructions below to ready your Swan for use:

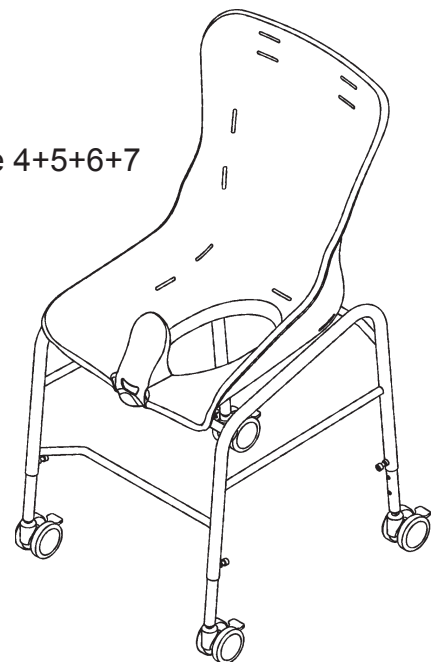
- 1) Remove the wrapping and wipe the chair with a cloth before use.
- 2) Remove the wooden bar on the back of the frame, which protect the chair during transportation.

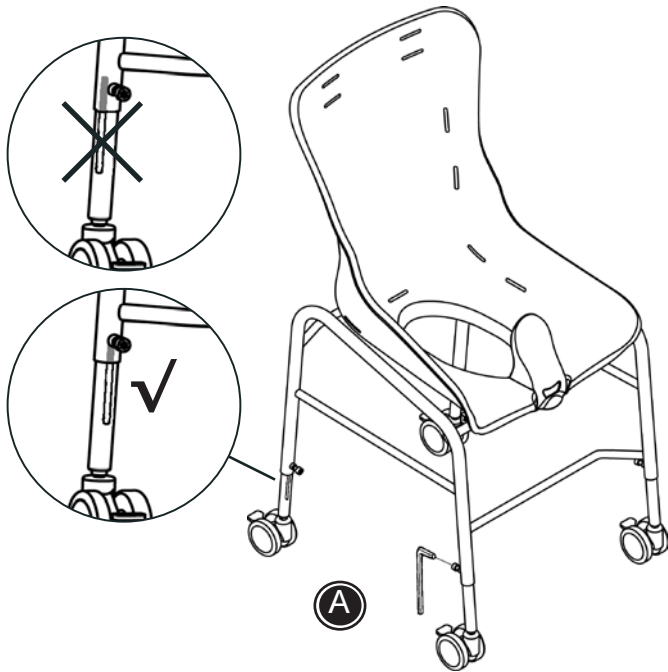
Follow the instructions on the next pages to adjust the chair and accessories.

The Swan is ready for use.

 Do not use any cleaning materials containing chlorine or methylated spirit.

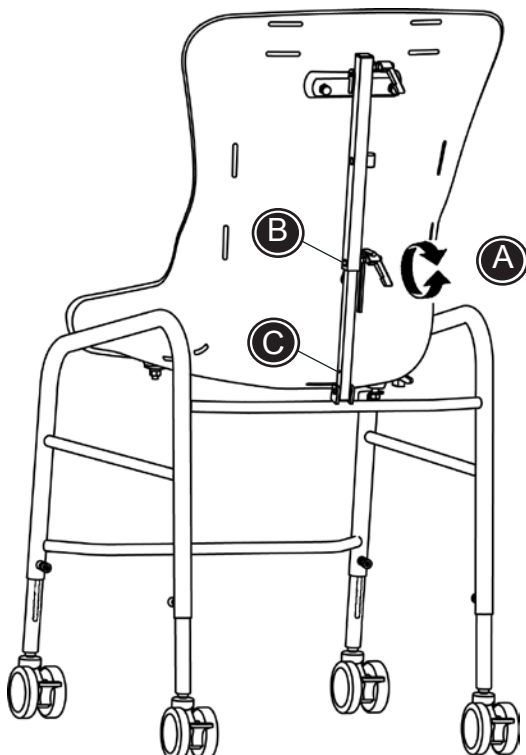
Size 4+5+6+7





GB HEIGHT ADJUSTMENT

- 1) Start by loosening all screws (A). Remove the screws. Left rear wheel and both front wheels are to be adjusted to the holes in the internal rod.
- 2) Tighten the screws when the desired height is reached.
- 3) The right rear wheel is for adjustment and to avoid rocking. Adjust the fourth leg so the chair is at the right plane.



GB SEAT ANGLING

- 1) Loosen the locking handle (A)
- 2) Push the spring clip (B), and carefully tilt the seat unit.


! Do not tilt the seat unit further back than the lower spring clip (C).

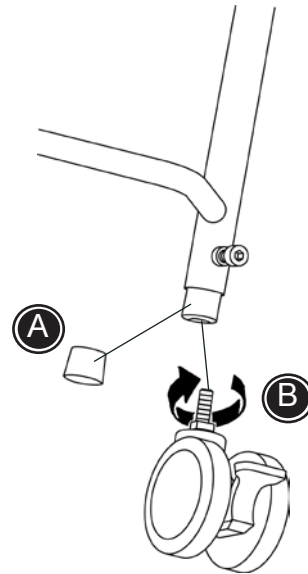
- 3) Tighten the handle (A), when the seat unit is in the required position

! Always make sure you have a grip off the seatback, before loosening the tightening handle.

GB MOUNTING WHEELS

- 1) Remove the ferrules (A)
- 2) Screw on the wheels (B) and tighten with a 13 mm spanner.

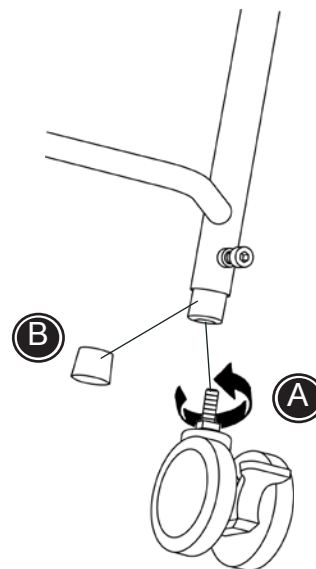
 For information on adjusting the height, see passage on 'Height adjustment'

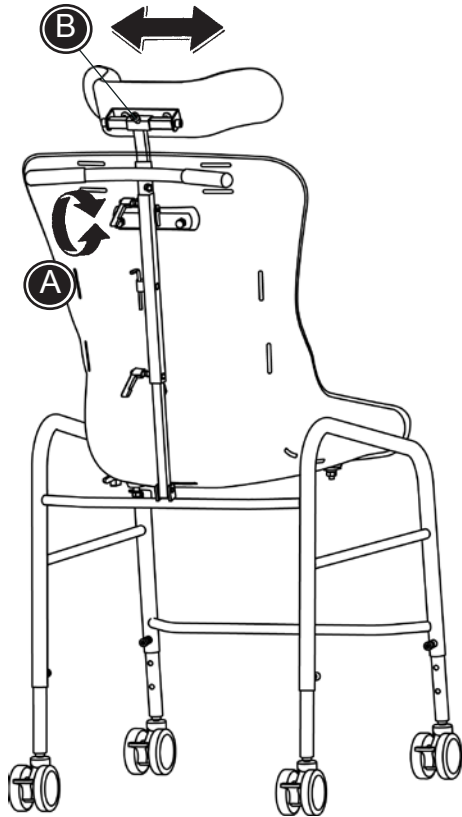


GB DISASSEMBLING THE WHEELS

Follow the instructions below to disassemble the wheels on swan:

- 1) Loosen the screws (A) with a 13 mm spanner.
- 2) Mount ferrules (B) at the end of the legs.





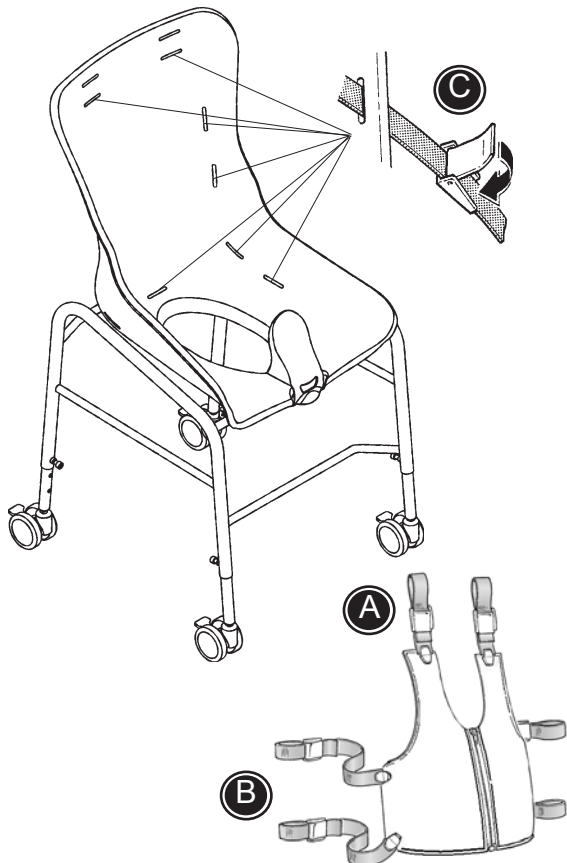
GB HEADREST

- 1) Loosen the tightening handle (A) and place the headrest in the white fitting. Tighten the handle when the requested height is reached.
- 2) Loosen the screw (B) to adjust the headrest from side to side.

Push handle

- 1) Loosen the tightening handle (A) and place the push handle in the white fitting. Tighten the handle when the requested height is reached.


If both headrest and push handle is required, the push handle is mounted on the headrest bar. Mount the headrest as mentioned above. The extra bar is not needed.



GB MOUNTING VARIOUS BELTS

- 1) Mount the shoulder straps (A) in the slots in the back, according to the height of the child. Attach behind the seat with the snap lock.
- 2) Mount the hip straps (B) in the slots in the seat, and attach behind the seat with the snap lock.
- 3) The belts can be adjusted by means of the snap lock.

 If upholstery is mounted, please cut through welding line to mount the vest or belt.

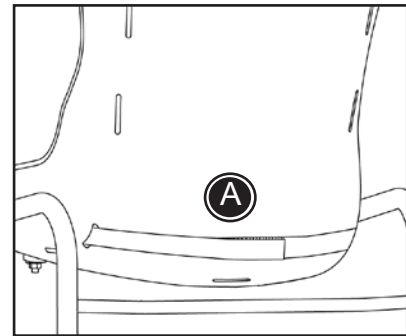
 Take care that all the fixations and adjustments are placed and fitted correctly and check it on a regular basis.

GB MOUNTING THE UPHOLSTERY

To mount the upholstery correctly, follow below instructions.

Swan size 1+2+3:

- 1) Place the upholstery in the chair and lead the Velcro straps through the slots in the seat.
- 2) Velcro the straps together behind the seat. (A)

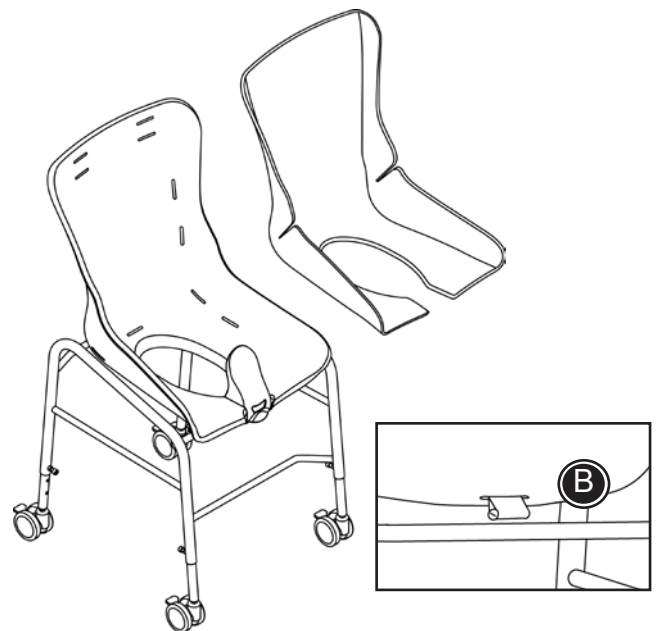


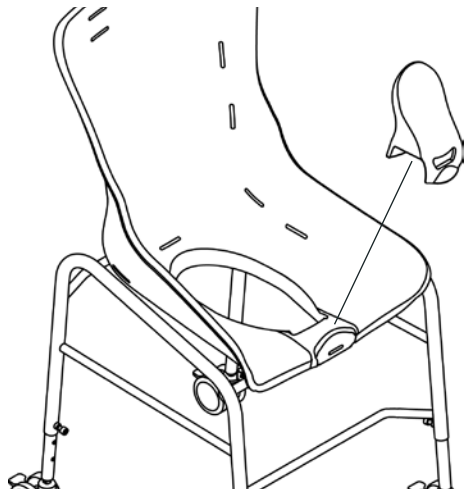
Swan 4+5+6+7:

- 1) Place the upholstery in the seat, and pull the white strap through the slot in the seatback.
- 2) Use the white holder (B) to mount through the strap and tighten.



We recommend that the upholstery is frequently cleaned with normal cleaning material. The upholstery can be cleaned by hand in up to 50° warm water.



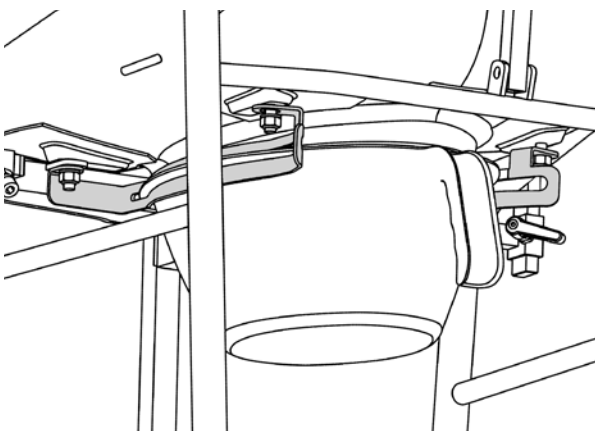


GB SPLASH GUARD

Only for size 4+5+6+7

To mount the splash guard just push it down until it locks.

To remove the splash guard pull out the front edge and lift.



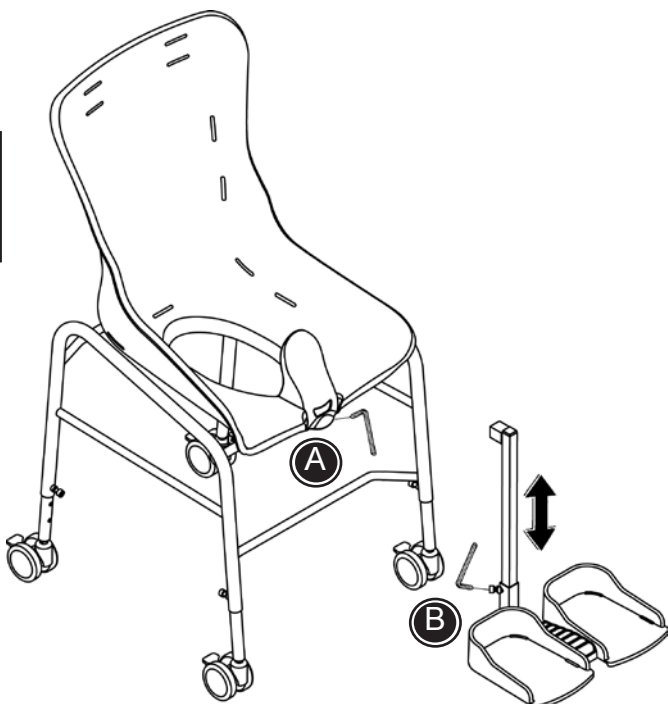
GB MOUNTING THE PAN

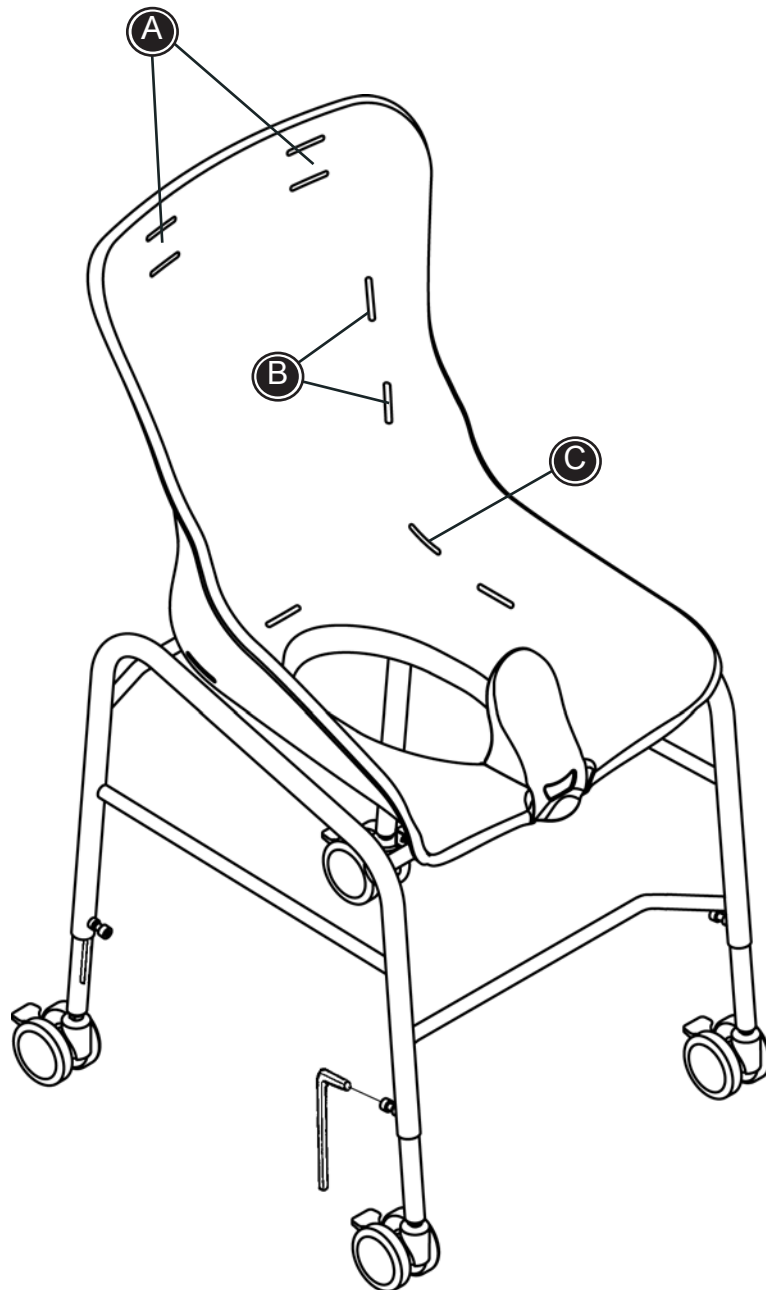
The pan is mounted from the back of the chair.

GB FOOTREST

Follow the instructions below to mount the footrest correctly:

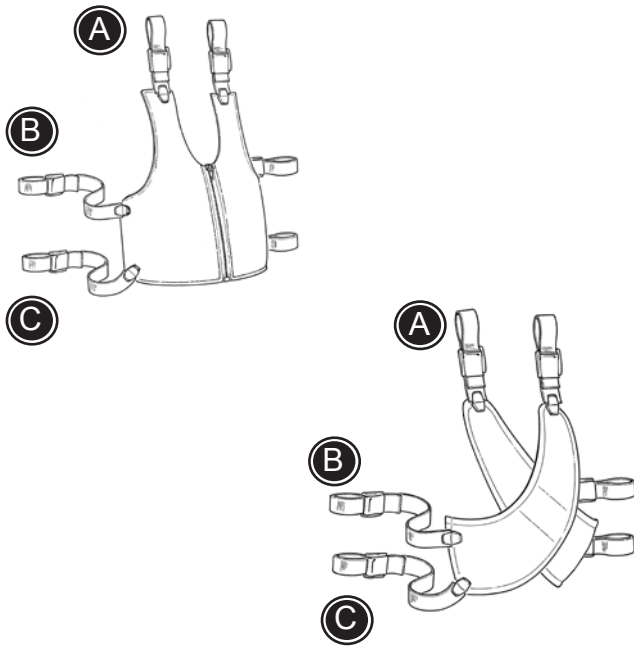
- 1) Loosen the screw (A). Place the horizontal part of the footrest bar into the fitting under the seat.
- 2) Tighten the screw (A)
- 3) Loosen the screw (B) on the footplate and mount the footplate from below. Tighten the screw when the required height is reached.





G
B

Use this drawing together with the descriptions on the following pages.



GB VEST AND CROSSVEST

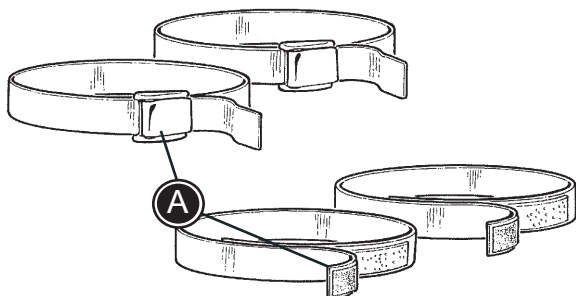
The vest and cross vest can be opened and closed by using the buckles and the zipper.

Follow the instructions below, with help from page 11.

- * Lead the shoulderstraps through the slots at the top of the back (A).
- * Lead the upper straps in the sides through the slots in the back (B).
- * Lead the lower straps in the sides through the slots at the lower back (C).
- * When the straps has been led through the slots, fit a buckle at the end.



Take care that all the fixations and adjustments are placed and fitted correctly and check it on a regular basis.



GB FOOT STRAPS

The foot straps can be opened and closed by using the velcro or the buckle (A).

Follow the instructions below for mounting.

- * Open the straps and pull them (A) through the slides in the foot plates.
- * Close the straps around the users foot.



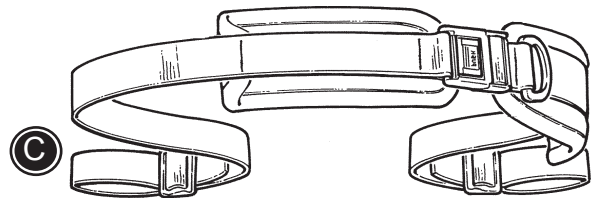
Take care that all the fixations and adjustments are placed and fitted correctly and check it on a regular basis.


GB HIP BELT

The hip belt can be opened and closed by using the buckles.

Follow the instructions below, with help from page 11.

- * Lead the straps through the slots in the seat (C).
- * When the straps has been led through the slots, fit a buckle at the end.



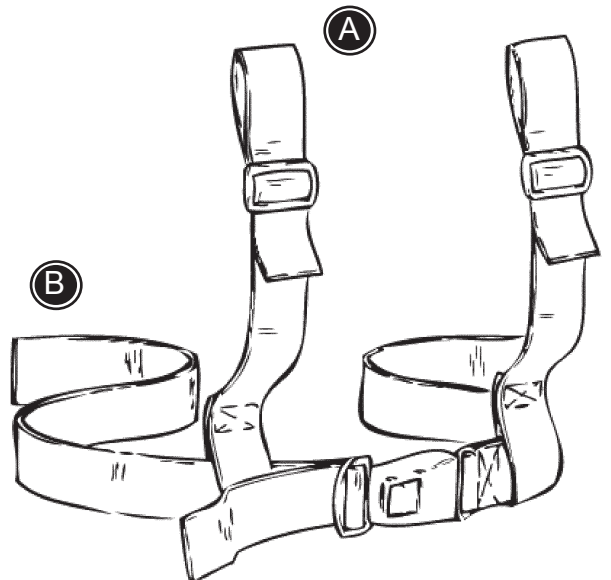
 Take care that all the fixations and adjustments are placed and fitted correctly and check it on a regular basis.


GB H-BELT

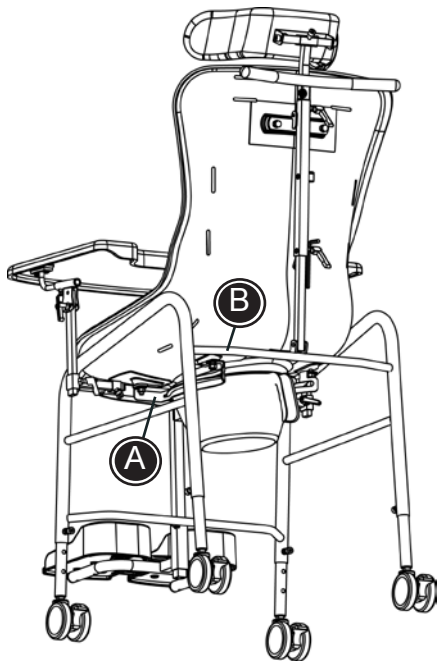
The H-belt can be opened and closed by using the buckle.

Follow the instructions below, with help from page 11.

- * Lead the shoulderstraps through the slots at the top of the back (A).
- * Lead the straps at the sides through the slots at the back (B).
- * When the straps has been led through the slots, fit a buckle at the end.



 Take care that all the fixations and adjustments are placed and fitted correctly and check it on a regular basis.



GB PRODUCT IDENTIFICATION

A) Serial number

The label is placed on the pan holder.

B) Manufacturer

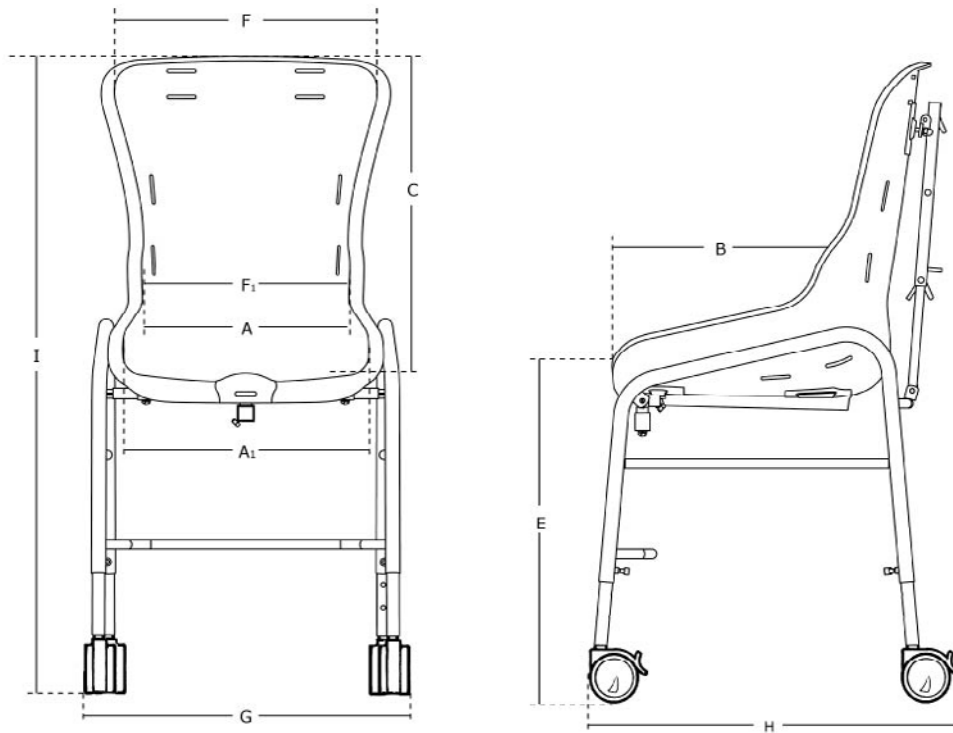
The label is placed on the top bar on the back of the frame.

A



B





GB MEASUREMENTS

	Size 2	Size 3	Size 4	Size 5	Size 6	Size 7
	cm (inch)	cm (inch)	cm (inch)	cm (inch)	cm (inch)	cm (inch)
Seat width, back (A)	20 (7¾")	23 (9")	25 (9¾")	30 (11¾")	34 (13¾")	41 (16")
Seat width, front (A1)	30 (11¾")	34 (13¾")	36 (14")	38 (14¾")	43 (16¾")	48 (18½")
Seat depth (B)	27 (10½")	32½ (12¾")	32½ (12¾")	38 (14¾")	46 (18")	46 (18")
Back height (C)	38 (14¾")	42 (16½")	40 (15½")	48 (18½")	57 (22")	57 (22")
Seat height, w/ wheels (E)	37-53 (14½-20¾")	48-64 (18½-25")	48-64 (18½-25")	48-64 (18½-25")	48-64 (18½-25")	48-64 (18½-25")
Seat height, w.o./ wheels (E1)	28-44 (11-17")	39-55 (15¼-21½")	39-55 (15¼-21½")	39-55 (15¼-21½")	39-55 (15¼-21½")	39-55 (15¼-21½")
Back width, shoulders (F)	22½ (8¾")	25 (9¾")	31 (12")	39 (15¼")	46 (18")	49 (19")
Back width, hips (F1)	24 (9¼")	25½ (10")	28 (11")	31 (12")	35½ (13¾")	43 (16¾")
Width, standard with wheels (G)	49½ (19¾")	53½ (20¾")	53½ (20¾")	53½ (20¾")	57½ (22½")	65½ (25")
Width, without wheels (G1)	46 (18")	50 (19½")	50 (19½")	50 (19½")	54 (21")	62 (24¼")
Length, standard with wheels (H)	46 (18")	57 (22")	57 (22")	57 (22")	62 (24¼")	62 (24¼")
Length, without wheels (H1)	39 (15")	50 (19½")	50 (19½")	50 (19½")	55 (21½")	55 (21½")
Height, standard with wheels (I)	68-84 (26½-32¾")	79-95 (30¼-37")	71-87 (27¼-34")	78-94 (30½-36¾")	86-102 (33½-39¾")	86-102 (33½-39¾")
Height, without wheels (I1)	59-75 (23-29¼")	70-86 (27¼-33½")	62-78 (24¼-30½")	69-85 (27-33¼")	77-93 (30-36¼")	77-93 (30-36¼")
Angle	18°	18°	27°	22°	20°	20°
Weight	8 kg (17,5 lb)	9,5 kg (21 lb)	8,5 kg (18,5 lb)	9,5 kg (21 lb)	10,5 kg (23 lb)	11,5 kg (25,5 lb)
Max load	30 kg (66 lb)	60 kg (132 lb)	70 kg (154 lb)	80 kg (176 lb)	90 kg (198 lb)	110 kg (242 lb)

GB TECHNICAL DATA

Seat: Glass fibre
Frame: Stainless steel/powdercoated

GB PRODUCER

R82 A/S
Parallevej 3
8751 Gedved
Denmark

GB DISTRIBUTOR

Please find your distributor on www.R82.com