

## Additional Cautions

- Before assembly, inspect all the parts. If there is damage - DO NOT USE. Contact dealer for further instructions.
- Ensure the height adjusting push pins fully protrude through the same respective holes. This will ensure that the extensions are securely locked in position.
- Make certain all screws, nuts and/or bolts are tightened.
- Immediately replace rubber tips if any or all are ripped, worn or missing.
- All rubber leg tips MUST always touch the floor simultaneously.
- When used in a tub, ensure the rubber tips are not touching the sides of the tub wall.
- DO NOT stand on the chair.

## Lifetime Limited Warrant

If you have a question about your MOBB Healthcare device or this warranty, please contact an authorized MOBB Healthcare dealer.

MOBB Healthcare warrants to the original consumer purchaser for as long as they own their MOBB product that it will be free from defects in material and workmanship under normal use. This warranty is only applicable to products used in residential applications within the United States and Canada and is not transferable to subsequent owners. Should defects in material or workmanship exist during the applicable warranty period in any MOBB Healthcare Product, MOBB Healthcare will elect at its discretion to either repair or replace the defective material. This warranty covers only parts and materials of the products supplied by MOBB Healthcare. Not covered under this warranty are wear and tear items or abuse of the product in a manner that was not intended for the product to be used. This warranty shall become void if the product is in any way modified, improperly adjusted or abused.



# 360° Swivel Shower Chair 3.0

300 lbs weight capacity



MHSCIII



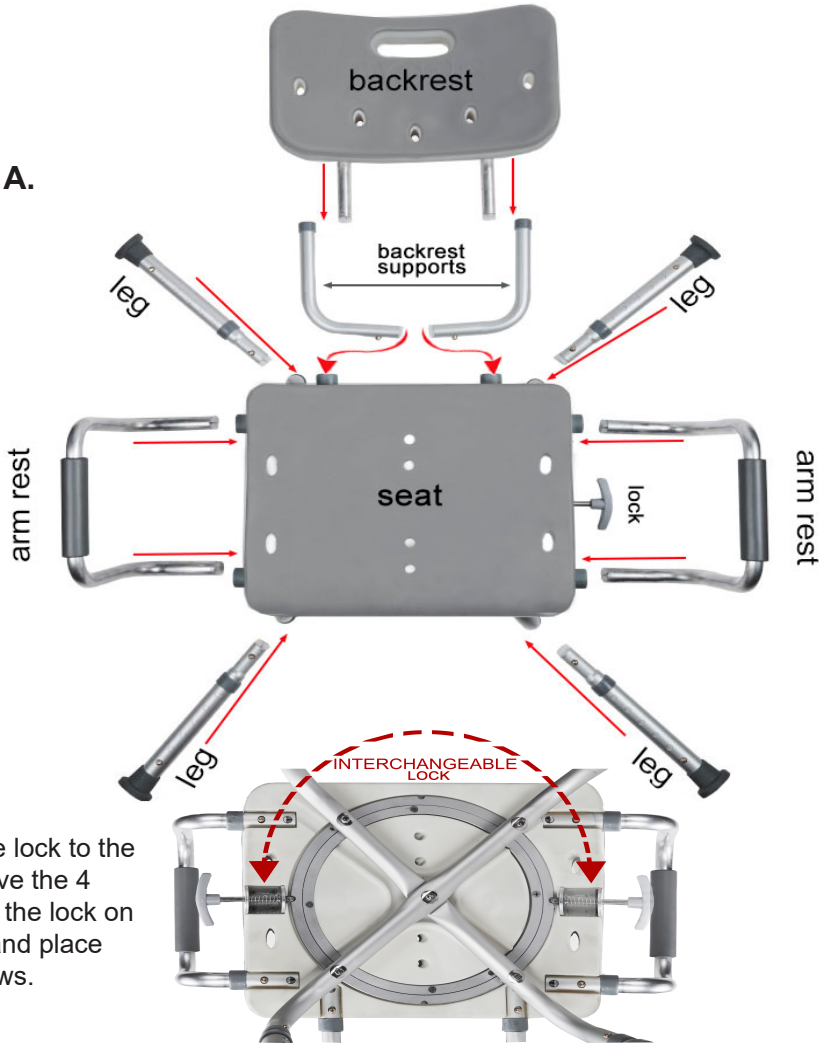
844604101820

**MOBB Healthcare Ltd.**

## Assembly Instructions

Align push pins into holes, per diagram A. Push pins will click into place when secure.

Diagram A.



To change the lock to the left side remove the 4 screws, place the lock on the left side, and place back the screws.

## Adjusting Legs/Backrest Height

When desired height is reached, lock into place by aligning push pins into holes.