

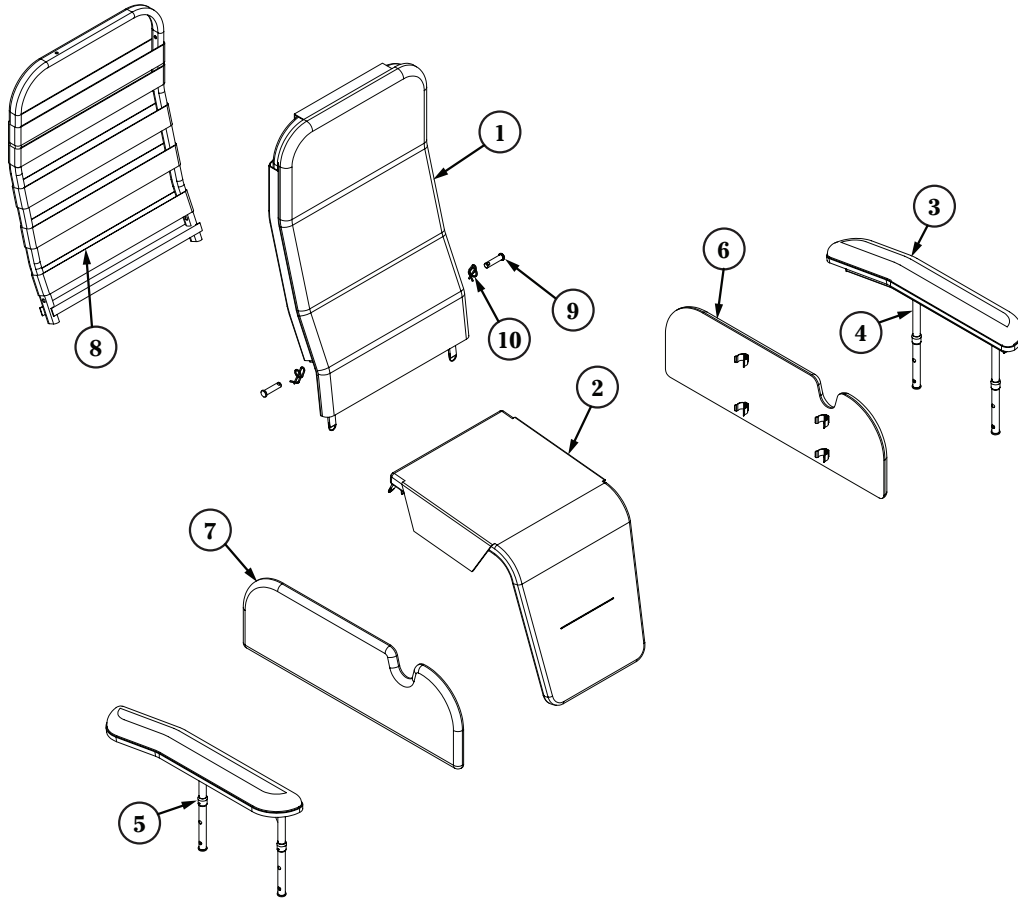


565TG

Returns: Parts may not be returned without prior authorization from GF Health Products, Inc. Custom parts cannot be returned for credit. Please refer to GF Health Products, Inc. Terms and Conditions for further information.

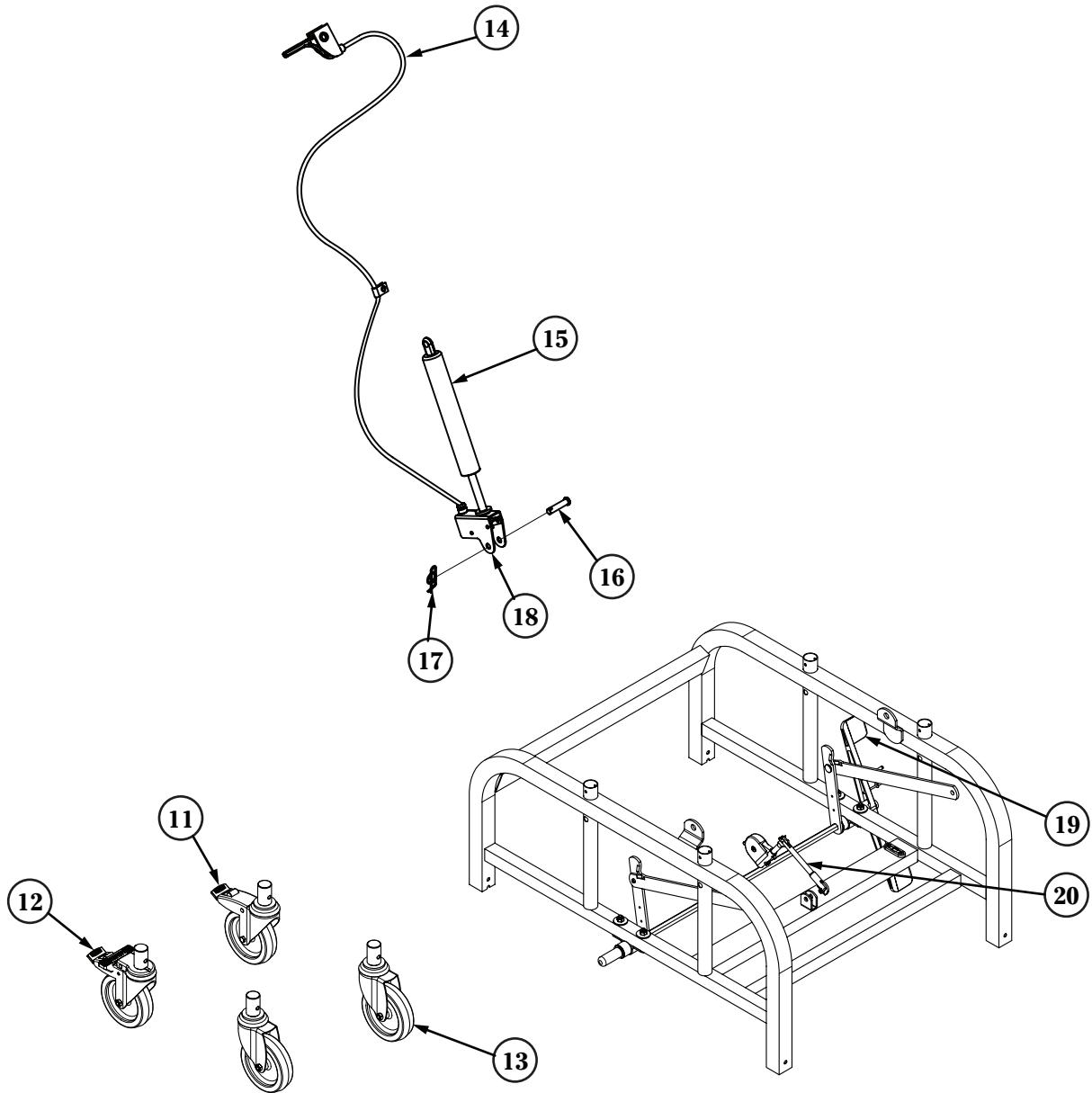
GF Health Products, Inc. is not responsible for typographical errors. Packaging, warranties, products and specifications are subject to change without notice. Lumex® and Graham-Field® are registered trademarks of GF Health Products, Inc.





| | ITEM NUMBER | DESCRIPTION | QTY/UNIT |
|----|-------------|---|----------|
| 1A | 56512UXXX | Back Upholstery | 1 each |
| 1B | 56512UXXXFR | Back Upholstery (CA-133 Fire Rated) | 1 each |
| 2A | 56511UXXX | Seat and Legrest Upholstery | 1 each |
| 2B | 56511UXXXFR | Seat and Legrest Upholstery (CA-133 Fire Rated) | 1 each |
| 3A | 56575UXXX | Armrest Upholstery | 1 each |
| 3B | 56575UXXXFR | Armrest Upholstery (CA-133 Fire Rated) | 1 each |
| 4 | 5654A825G | Left Drop Arm Assembly | 1 each |
| 5 | 5654A815G | Right Drop Arm Assembly | 1 each |
| 6 | 56548UXXXFR | Left Side Panel, Upholstered | 1 each |
| 7 | 56549UXXXFR | Right Side Panel, Upholstered | 1 each |
| 8 | UW420000 | Flex Back Webbing, 2" | 1 each |
| 9 | HP327220 | Clevis Pin | 1 each |
| 10 | HP349160 | Rue Ring Cotter Clip | 1 each |

565TG Recliner: Replacement Parts List



| | ITEM NUMBER | DESCRIPTION | QTY/UNIT |
|----|-------------|--|----------|
| 11 | WB170017 | Left Rear Locking Caster | 1 each |
| 12 | WB170034 | Right Rear Directional Locking Caster | 1 each |
| 13 | WC150006 | Front Caster | 1 each |
| 14 | 5655A001 | Cable Assembly | 1 each |
| 15 | EI000000 | Gas Spring | 1 each |
| 16 | HP327220 | Clevis Pin | 1 each |
| 17 | HP349160 | Rue Ring Cotter Clip | 1 each |
| 18 | 5770A073 | Lower Bracket for Gas Spring (Zinc Plated) | 1 each |
| 19 | WB190002 | Foot Pedal | 1 each |
| 20 | VM000003 | Torque Limiter | 1 each |