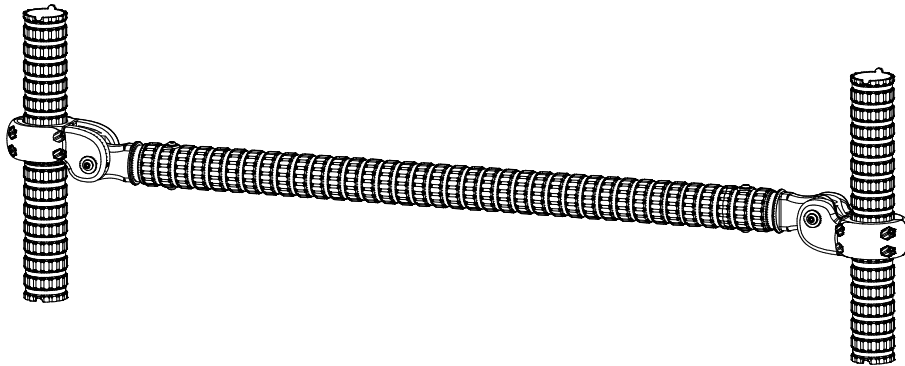
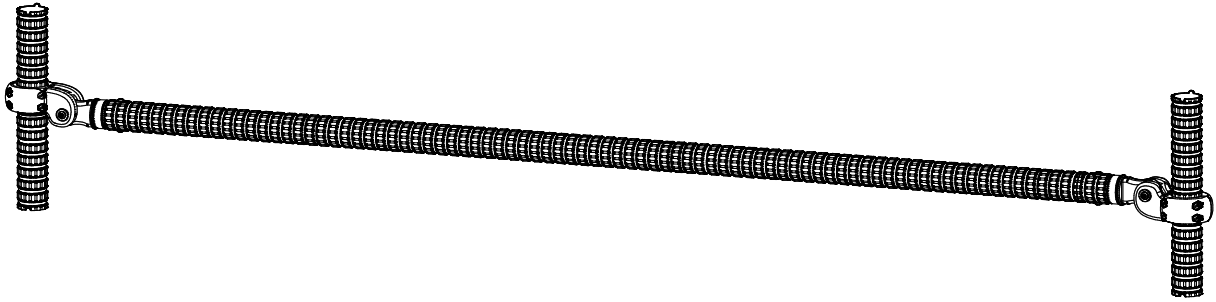


TITAN LINK with SafetyGrip®

TLSG620 & TLSG625



Safety Information



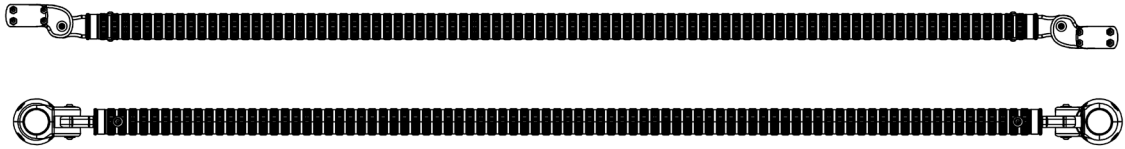
IMPORTANT: If you are unsure that you can install this product correctly, hire a qualified professional.

Tools Required

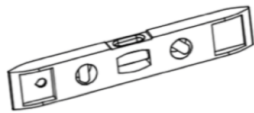
- Tape Measure
- Pencil

KIT CONTENTS

TITAN-LINK 72 HANDRAIL KIT



Tools Included

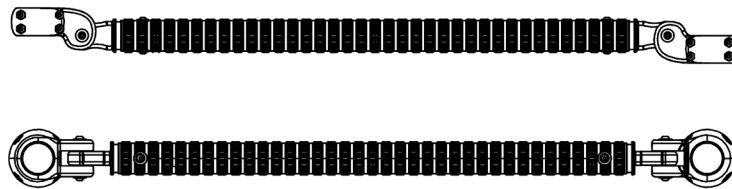


LEVEL

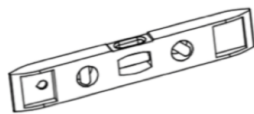


HEX KEYS

TITAN-LINK 36 HANDRAIL KIT



Tools Included



LEVEL



HEX KEYS

PRODUCT INFORMATION

- The Titan-Link Handrails are designed to assist with exercise, balance, positioning and stability support for persons weighing up to 350lbs (158kg). **They are not designed or intended to take the full weight of the user.**
- This Titan-Link Handrail assembly comes with our patented Interlocking SafetyGrip®.
- This Titan-Link Handrail assembly is protected with AlphaSan® technology, which provides lasting protection against microbial contamination.

INSTALLATION

These **INSTALLATION INSTRUCTIONS** are separated into 2 parts:

PART A - Installing a handrail between two Titan Poles.

PART B - Installing a handrail between the wall using a TLFM680 Wall Mount Bracket and a Titan Pole.

PART A - Installing A Handrail Between Two Titan Poles

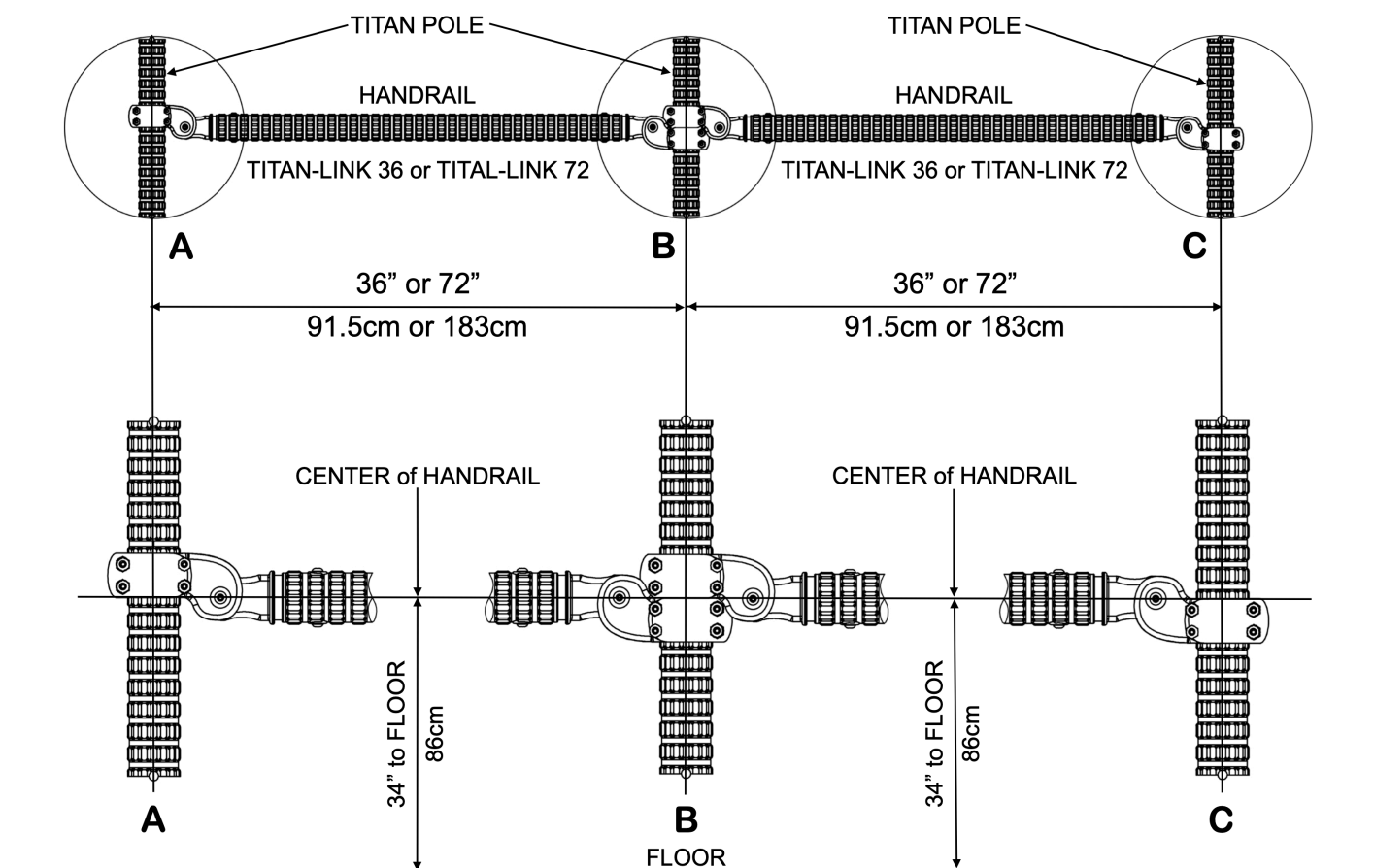
STEP 1: Prior Installation

Before installing the Handrail, the two Titan Poles must be installed. Follow the **INSTALLATION INSTRUCTIONS** provided with these Titan Poles.

If using Titan-Link 36" (91.5cm) Handrail, install the Titan Poles 36" (91.5cm) apart. **(see Illustration 1)**

If using the Titan-Link 72" (183cm) Handrail, install the Titan Poles 72" (183cm) apart. **(see Illustration 1)**

ILLUSTRATION 1



STEP 2: Attach the Handrail End Clamps to the Poles

Remove all the screws, nuts and parts, Items 1, 2, 3, 4 & 8, from the handrail end clamps and separate the clamps, see the Exploded View on the **Parts List**. Use the hex keys provided.

Mount a handrail end clamp set to each of the Titan Poles at a height of 34" (86cm) from the floor to the center of the Handrail. **(See Illustration 1)**

Make sure that the handrail end clamps are oriented in the correct position. **(See Illustration 1)**

Fit the 4 screws and nuts Items 1 & 2 back into the handrail end clamps and tighten with the hex keys.

STEP 3: Install The Handrail Between The Clamps

Put the Handrail between the Clamps and fit the parts, Items 3, 4 & 8. Tighten with the hex keys.

PART B - Installing A Handrail Between A Wall And A Titan Pole Using A Titan-Link Wall Mount Bracket

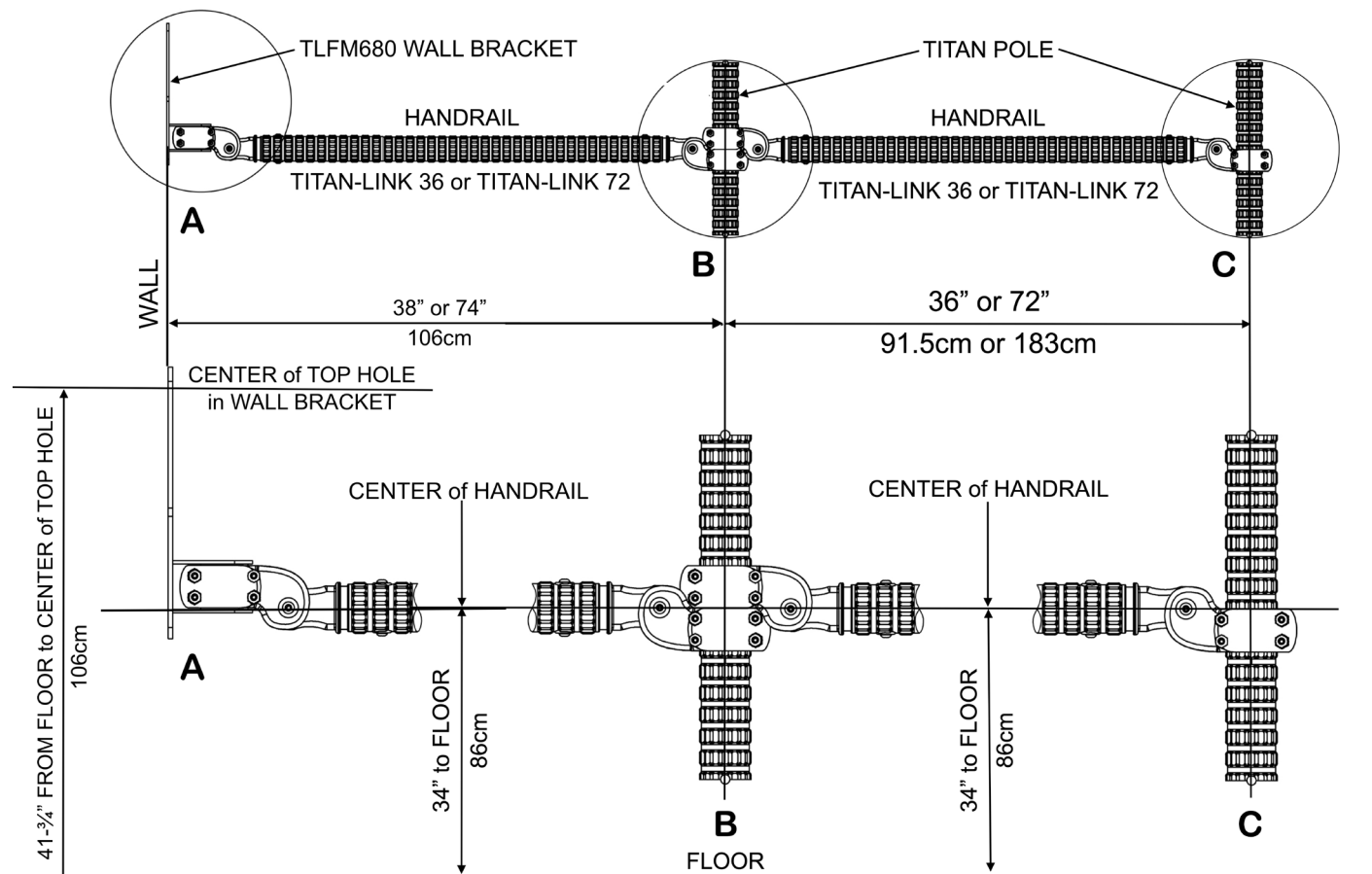
STEP 1: Prior Installation

Before installing the Handrail, the TLSG680 Wall Mount Bracket and the Titan Pole must be installed. Follow the **INSTALLATION INSTRUCTIONS** provided with each of these products.

If using the Titan-Link 36" (91.5cm) TLSG625 Handrail, install the Titan Pole **38" (96.5cm)** from the wall. (see Illustration 2)

If using the Titan-Link 72" (183cm) TLSG620 Handrail, install the Titan Poles **72" (188cm)** from the wall. (see Illustration 1)

ILLUSTRATION 2



STEP 2: Attach the Handrail End Clamps to the Wall Mount Bracket and the Titan Pole

Remove all the screws, nuts and parts, Items 1, 2, 3, 4 & 8, from the handrail end clamps and separate them, see the Exploded View on the **Parts List**. Use the hex keys provided.

Mount one handrail end clamp set onto the TITAN-LINK Wall Mount Bracket. Make sure that the clamps for the handrail are in the correct position. **(see Illustration 2)**

Fit the 4 screws and nuts Items 1 & 2 into the Pole Clamps and tighten with the hex keys.

Mount a handrail end clamp set to the Titan Pole at a height of 34" (86cm) from the floor to the center of the Handrail. **(See Illustration 1)**

Make sure that the handrail end clamps are oriented in the correct position. **(See Illustration 1)**

Fit the 4 screws and nuts Items 1 & 2 back into the handrail end clamps and tighten with the hex keys.

STEP 3: Install The Handrail Between The Clamps

Put the Handrail between the Clamps and fit the parts Items 3, 4 & 8. Tighten with the hex keys.

MAINTENANCE AND CLEANING

- The Titan-Link Handrail can loosen with use. The screws in the handrail end clamps should be checked and tightened as necessary weekly.

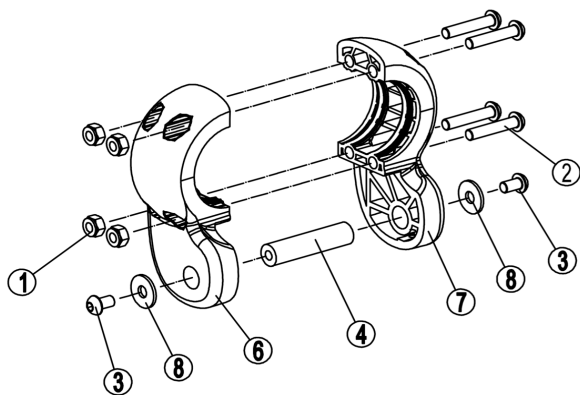
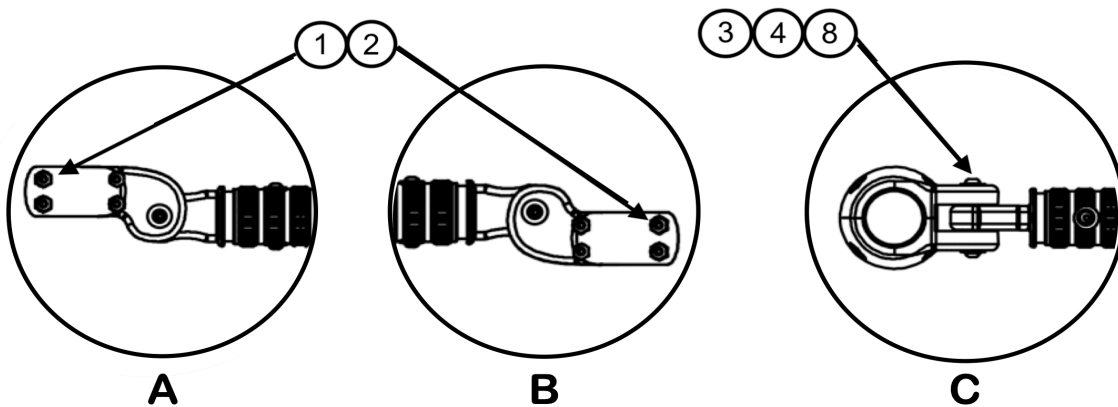
LIMITED WARRANTY

Hartmobility Inc. product(s) are covered by a limited lifetime parts warranty. This warranty covers against defects in design and workmanship. Hartmobility Inc. will correct any defects in parts or workmanship at no charge.

The warranty does not cover product failure due to installation error, owner misuse, abuse, negligence or normal wear and tear.

For more information on what our Limited Lifetime Warranty covers and does not cover, please visit the Hartmobility Inc. website at www.Hartmobility.com or scan the following QR Code.





PARTS LIST

ITEM	CODE	DESCRIPTION	QTY
1	700308	M6 NYLOCK NUT	8
2	700337	BHC SCREW M6 x 35	8
3	700313	BHC SCREW M6 x 10	4
4	6053	THREADED SPACER	2
5	6041	72" HANDRAIL ASSEMBLY	1
6	6035L	HANDRAIL END CLAMP L	2
7	6035R	HANDRAIL END CLAMP R	2
8	700413	WASHER	4
9	6031	36" HANDRAIL ASSEMBLY	1
10	700492	HEX KEY	2

** THERE IS ONLY ONE OF ITEM 5 or 9 IN EACH KIT