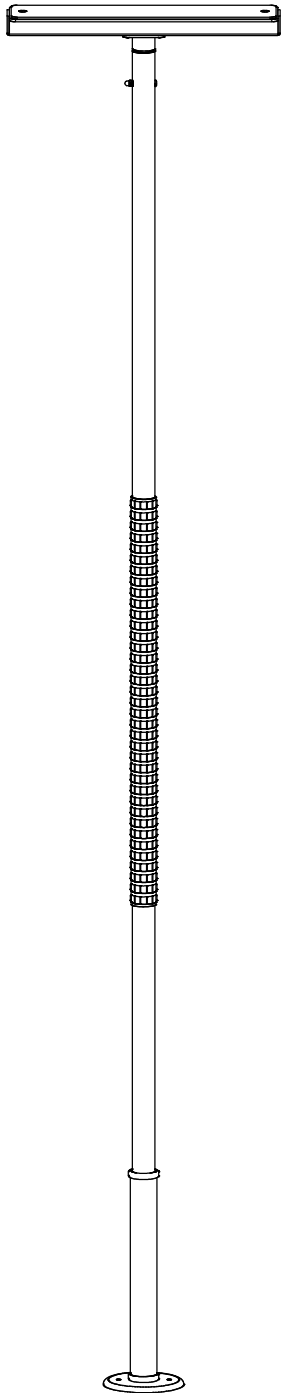


TITAN BALANCE ASSIST POLE with SafetyGrip®

TSG610



Safety Information

! **WARNING:** ENTRAPMENT HAZARD. Entrapment of head, neck, limb or torso can occur in gaps between the Pole and furniture and/or fixtures. Entrapment could result in death or serious injury.

When positioning the Titan pole, ensure the gap between it and any furniture and/or fixtures complies with Entrapment Guidelines which state that gaps must be less than 4.75" (12cm) or greater than 12" (30cm).

The Pole must never be used as a restraint or to prevent users from falling out of bed.

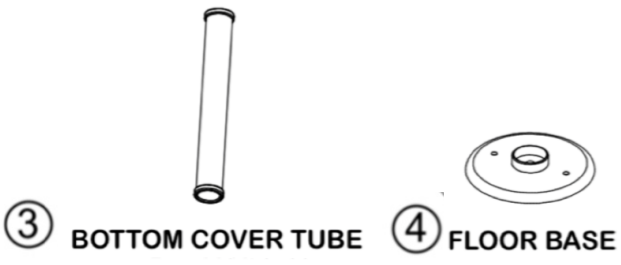
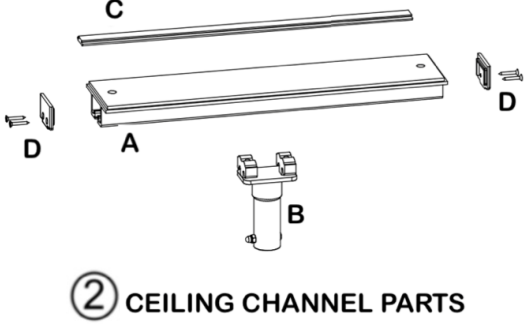
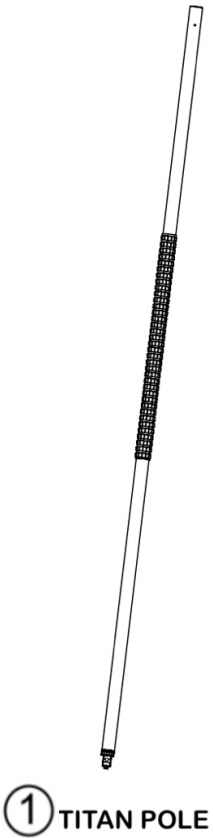
! **IMPORTANT:** If you are unsure that you can install this product correctly, hire a qualified professional.

Tools Required

- Step ladder.
- Safety Glasses
- Stud Finder.
- Strong scissors or a fine tooth saw.
- Philips screw driver.
- Pencil

If you have any questions, please contact Customer Care.

KIT CONTENTS



Tools Included



PRODUCT INFORMATION

Titan Balance Assist Pole comes with our patented Interlocking SafetyGrip®.

Titan poles are protected by AlphaSan® technology, which provides lasting protection against microbial contamination to all Hartmobility Inc products, delivering unrivalled anti-microbial performance.

- Titan poles are assistive products that may be affixed between floors and ceilings.
- The Titan pole is a tension mount stability and positioning aid that will be subjected to significant lateral (sideway) loads when in use. It is your responsibility to ensure that the Titan pole is correctly installed and maintained as per these **ASSEMBLY INSTRUCTIONS** provided.
- Titan poles have 6 inches of height adjustment and are designed for installation where the ceiling height is between 7'-9" to 8'-3" (235 – 250cm). For higher ceilings see the TSGA604 Height Extension Kit.
- The Titan pole is designed to assist with balance, positioning and stability support for persons weighing up to 350lbs (158kg) and is not designed to bear the full weight of the user.
- The Titan pole is not suitable for use by persons over 350lbs (158kg). Please refer to TSG650 Safety Grip® pole for our 500lbs (230kg) rated weight capacity pole.
- Do not use the Titan pole with a waterbed or inflatable bed.

INSTALLATION

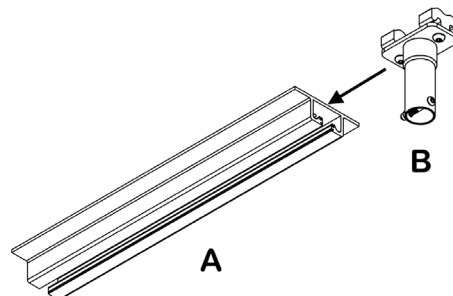
Floor & Ceiling Requirements

The floors must be solid level floors. The ceilings are a solid structure or have ceiling joists. The Titan pole must only be installed in locations where the construction of the ceilings and floors are structurally sound.

1. Titan transfer poles should never be installed on loose floors (rugs, mats etc) or irregular floors.
2. When the Titan poles are installed in wet or slippery conditions, or where the base could move the Floor Base Item 4 should be permanently fixed to the floor. Additional Securing methods are shown below.
3. Do not install near heating/cooling vents or lighting where the structural integrity of the ceiling has been compromised by the holes cut for these vents and lighting.
4. Do not install Titan poles on any suspended ceilings.

STEP 1: Assemble The Ceiling Channel

First put on safety glasses, and then you must partly assemble the Ceiling Channel. Take Part B and slide it into the end of the Ceiling Channel Part A. Tighten the two BHC Bolts in Part B to secure Part B while you are assembling the Titan pole.

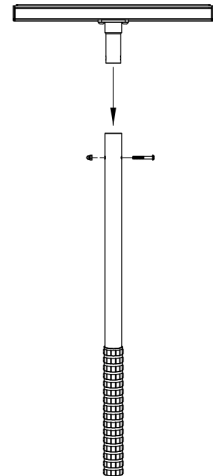


STEP 1

STEP 2: Join the Ceiling Channel Assembly with the Pole Upper Tube

Take the Titan pole Item 1 and the Ceiling Channel Item 2 and slide them together. Insert the Bolt, add the Dome Nut and tighten them securely using the Hex Key and Wrench .

INSTALLER NOTE: You have the option of doing STEP 6 and STEP 8 now while the Titan pole is on the floor.



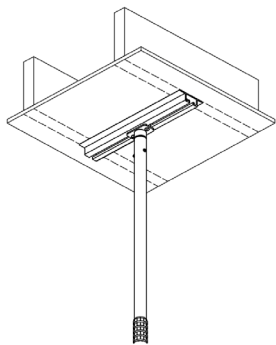
STEP 2

STEP 3: Locate the Ceiling Joists

OPTION 1:

Mount Ceiling Channel spanning two ceiling joists;

Locate the joists behind the ceiling membrane and mark them. Using a stud finder is recommended.



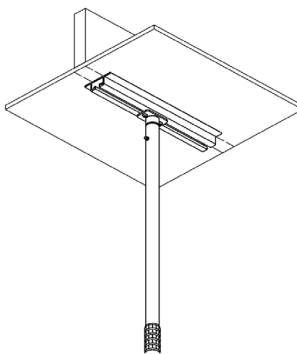
OPTION 1

SPANNING TWO JOISTS

OPTION 2:

Mount Ceiling Channel lengthways along one joist;

Locate the joist behind the ceiling membrane and mark it. Using a stud finder is recommended.



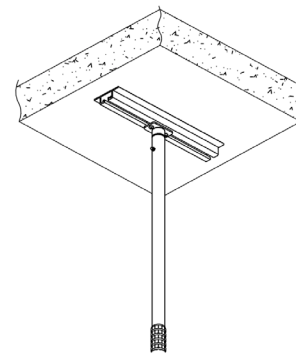
OPTION 2

LENGTHWAYS ON ONE JOIST

OPTION 3:

For Solid Construction Ceilings;

Solid Ceilings are common in apartment buildings. The Pole can be mounted anywhere on this type of construction. The fasteners for this option are not supplied.



OPTION 3

SOLID CONSTRUCTION CEILING

You are now ready to stand the Pole Assembly up between the floor and the ceiling. This is easier with two people.

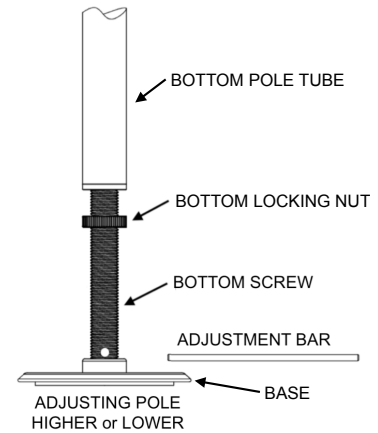
STEP 4: Stand the Pole up in position

Put the Titan pole into the Floor Base Item 4 and stand it up. Align the Ceiling Channel with the marks you made in Step 3.

STEP 5: Pole Height Adjustment

You can adjust the height of the Titan pole by turning the Bottom Screw until the Ceiling Channel is touching your Ceiling. You can use the Adjusting Bar supplied to help you do this.

Installer Note: Slide the Bottom Cover Tube Item 3 up out of your way while you are doing this step.

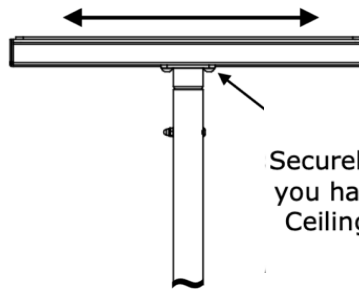


STEP 5

STEP 6: Pole Alignment

You can now decide where you want the Titan pole located along the length of the Ceiling Channel.

Loosen the two BHC Bolts and move the Titan pole and the Sliding Channel along the Ceiling Channel to where you want it, then securely re-tighten the two BHC Bolts.



Securely Tighten the BHC Bolts after you have located the Pole along the Ceiling Channel where you want it

STEP 6

STEP 7: Final Pole Height Adjustment

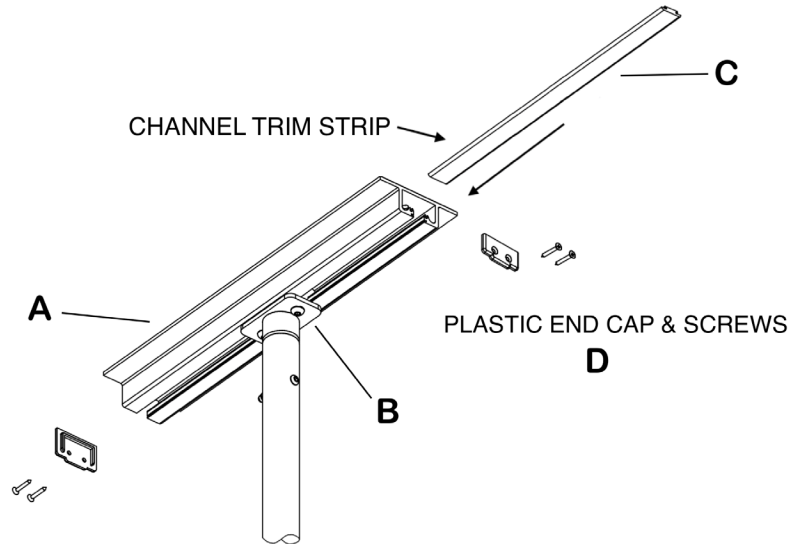
You are now ready to finally tighten the Titan pole. Before you do, check that the Titan pole is perpendicular (90 degrees) to the floor in all directions using the level supplied. When it is perpendicular and where you want it to be, tighten the Titan pole using the Adjusting Bar.

Installer Caution: Do not overtighten the Titan pole because it could damage your ceiling.

STEP 8: Add the trim parts to the Ceiling Channel

Take the Channel Trim Strip Part C, and slide into one end of the Ceiling Channel Part A. Mark it at the end of the channel, cut where the mark is and slide it back into the channel. Repeat this on the other side of the channel. Now screw the two plastic End Caps Part D onto each end of the channel using a philips screw driver.

Installer Note: You can cut the Channel Trim Strips using strong scissors or a fine blade hack-saw.



STEP 8

STEP 9: Final Checks

Ensure the Titan pole is safe and secure by grasping the Pole mid-height and push and pull vigorously. The Base or Ceiling Channel should not slide or move if the Titan pole is tensioned correctly.

When the Titan pole is tight and secure, tighten the Bottom Locking Nut against the bottom of the Titan pole using the Adjustment Bar.

Additional Securing methods (Optional)

The Titan pole Ceiling Channel can be screwed to the Ceiling Joists or into the Solid Ceiling with two fasteners (not supplied).

The Titan pole Base can be fixed permanently onto the floor with two fasteners (not supplied).

This will provide a more secure installation. These methods should be used if any of the following conditions exist:

- The Titan pole will be subject to heavy usage. Heavy usage is defined as when the Titan pole is used for more than normal balance assistance or stability.
- The ceiling or floor is subject to flexion or movement.
- The floor surface is smooth or polished making it easy for the Floor Base to move or slip.
- There is a chance that the floor in the area where the Titan pole is installed could get wet.

MAINTENANCE AND CLEANING

- The Titan pole can loosen with use. The Titan pole should be checked weekly.
 - ◇ Check that neither the Floor Base nor the Ceiling Disc has moved and that the Titan pole is still perpendicular (90 degrees) to the floor.
 - ◇ If necessary, repeat Step 9.
- To clean your Titan pole, simply wipe with a clean cloth and any commercially available cleaning solution.

LIMITED WARRANTY

Hartmobility Inc. product(s) are covered by a limited lifetime parts warranty. This warranty covers against defects in design and workmanship. Hartmobility Inc. will correct any defects in parts or workmanship at no charge.

The warranty does not cover product failure due to installation error, owner misuse, abuse, negligence or normal wear and tear.

