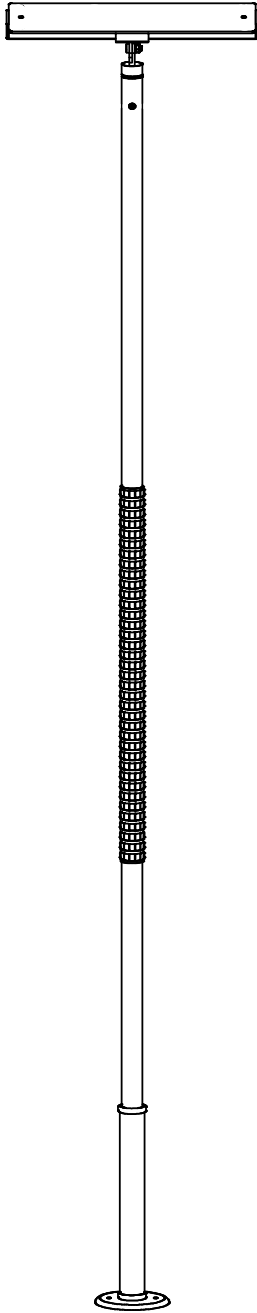


TITAN BALANCE ASSIST POLE with SafetyGrip®

TSG615



Safety Information

! **WARNING:** ENTRAPMENT HAZARD. Entrapment of head, neck, limb or torso can occur in gaps between the Titan pole and furniture and/or fixtures. Entrapment could result in death or serious injury.

When positioning the Titan pole, ensure the gap between it and any furniture and/or fixtures complies with Entrapment Prevention Guidelines which state that gaps must be less than 4.75" (12cm) or greater than 12" (30cm).

The Titan pole must never be used as a restraint or to prevent users from falling out of bed.

! **IMPORTANT:** If you are unsure that you can install this product correctly, hire a qualified professional.

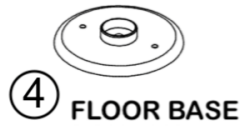
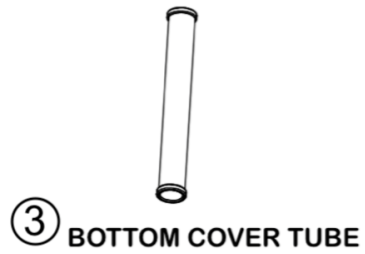
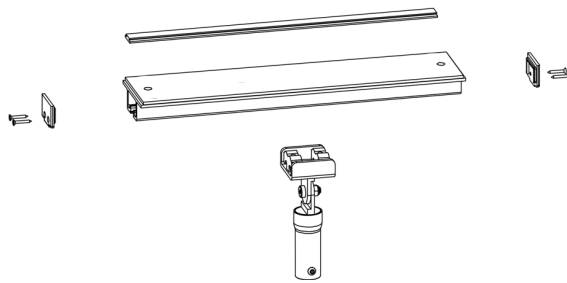
Tools Required

- Step ladder.
- Safety glasses
- Stud Finder.
- Power Drill.
- 5/32 inch drill bit.
- Strong scissors or a fine tooth saw.
- Philips screw driver.
- Pencil

If you have any questions, please contact Customer Care.



KIT CONTENTS



Tools Included



PRODUCT INFORMATION

Titan Balance Assist Pole comes with our patented Interlocking SafetyGrip®.

Titan poles are protected with AlphaSan® technology, which provides lasting protection against microbial contamination to all HartMobility Inc products, delivering unrivalled anti-microbial performance.

- Titan poles are assistive products that may be affixed between floors and ceilings.
- The Titan pole is a tension mount stability and positioning aid that will be subjected to significant lateral (sideway) loads when in use. It is your responsibility to ensure that the Titan pole is correctly installed and maintained as per these **ASSEMBLY INSTRUCTIONS** provided.
- Titan poles have 6 inches of height adjustment. For higher ceilings see the TSGA604 Height Extension Kit.
- The Titan pole is designed to assist with balance, positioning and stability support for persons weighing up to 350lbs (158kg) and is not designed to bear the full weight of the user.
- Do not use the Titan pole with a waterbed or inflatable bed.

INSTALLATION

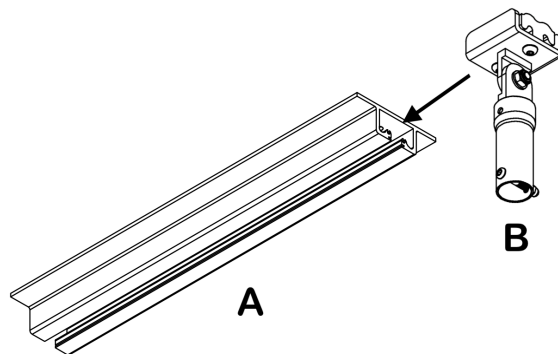
Floor & Ceiling Requirements

The floors must be solid level floors. The ceilings must have wooden rafters. The Titan pole must only be installed in locations where the construction of the ceilings and floors are structurally sound.

1. Titan transfer poles should never be installed on loose floors coverings (rugs, mats) or irregular floors.
2. When the Titan poles are installed in wet or slippery conditions, or where the base could move the Floor Base Item 4 should be permanently fixed to the floor. Additional Securing methods are shown below.
3. Do not install near heating/cooling vents or lighting where the structural integrity of the ceiling has been compromised by the holes cut for these vents and lighting
4. Do not install Titan poles on any suspended ceilings.

STEP 1: Assemble The Ceiling Channel

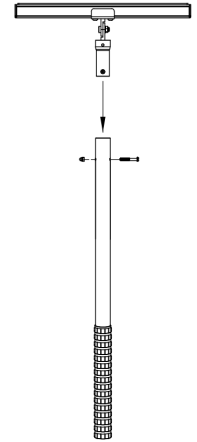
First put on safety glasses, and then you must partly assemble the Ceiling Channel. Take Part B and slide it into the end of the Ceiling Channel Part A. Tighten the two BHC Bolts in Part B to secure Part B while you are assembling the Titan pole.



STEP 1

STEP 2: Join the Ceiling Channel Assembly with the Pole Upper Tube

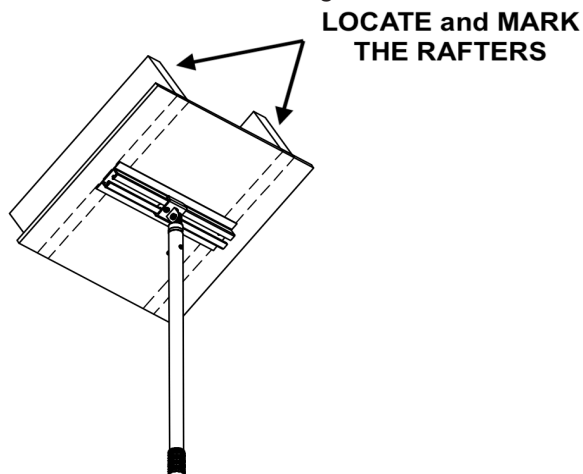
Take the Titan pole Item 1 and the Ceiling Channel Item 2 and slide them together. Insert the Bolt, add the Dome Nut and tighten them securely using the Hex Key and Wrench.



STEP 2

STEP 3: Locate the Ceiling Rafters

Locate the rafters behind the ceiling membrane and mark them. Using a stud finder is recommended.



STEP 3

You are now ready to stand the Pole Assembly up between the floor and the ceiling. This is easier with two people.

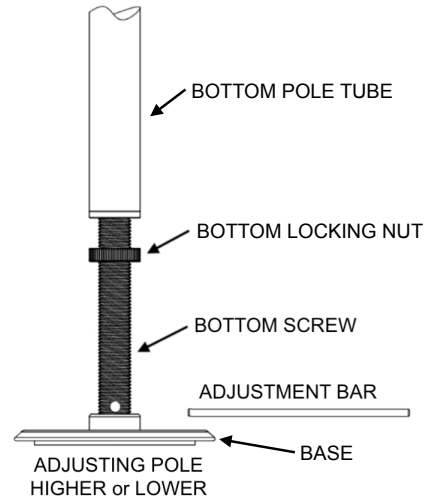
STEP 4: Stand the Pole up in position

Put the Titan pole into the Floor Base Item 4 and stand it up. Align the Ceiling Channel with the marks you made in Step 3.

STEP 5: Pole Height Adjustment

You can adjust the height of the Titan pole by turning the Bottom Screw until the Ceiling Channel is touching your Ceiling. You can use the Adjusting Bar supplied to help you do this.

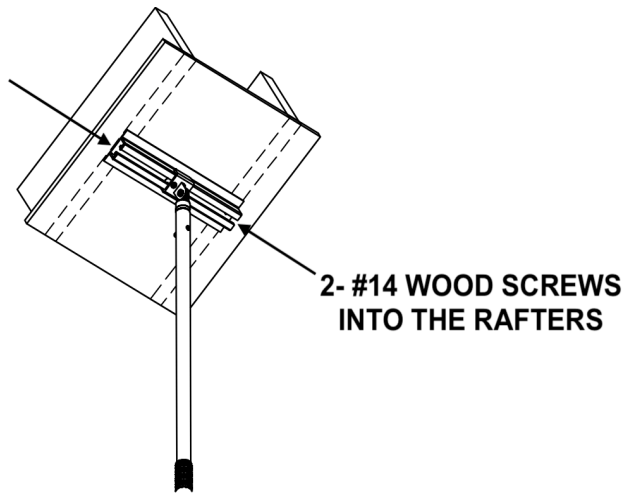
Installer Note: Slide the Bottom Cover Tube Item 3 up out of your way while you are doing this step.



STEP 5

STEP 6: Screw the Ceiling Channel to the Ceiling Rafters

Move the Ceiling Channel Assembly until it is spanning the two rafters that you marked and will attach to. Mark the two holes through the Channel, one each end. Move the Channel and drill 5/32 inch pilot holes for the wood screws. Put the Channel back into position and screw the Channel to the Rafters using the wood screws supplied.



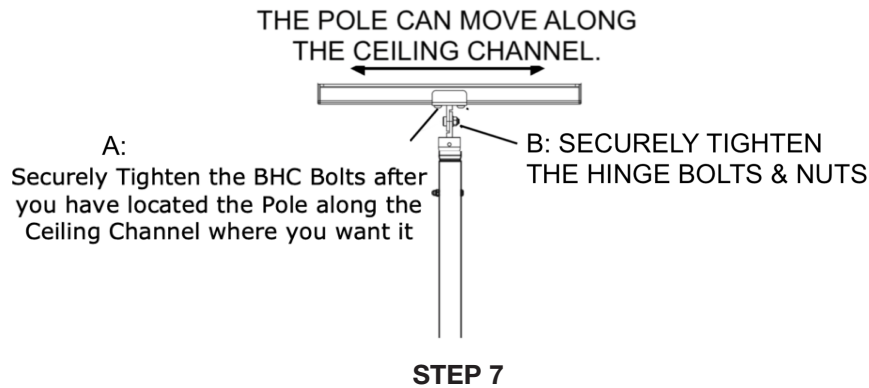
STEP 6

STEP 7: Pole Alignment

You can now decide where you want the Titan pole located along the length of the Ceiling Channel.

Loosen the two BHC Bolts and move the Titan pole and the Sliding Channel along the Ceiling Channel to where you want it, then securely re-tighten the two BHC Bolts.

Finally securely tighten the Bolt and Nut in the Angle Hinge.



STEP 8: Final Pole Height Adjustment

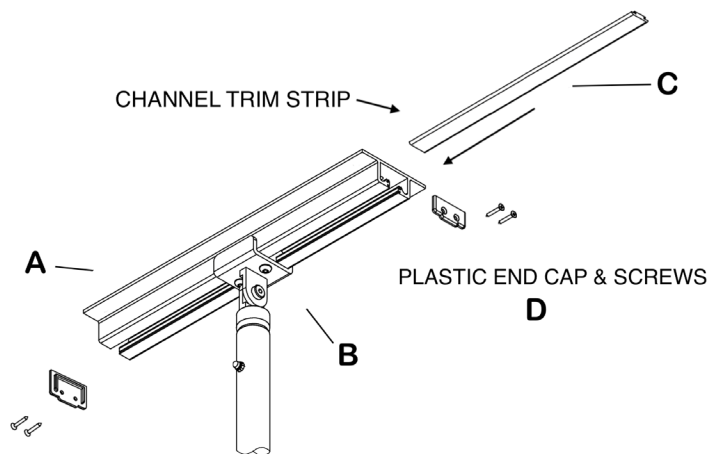
You are now ready to finally tighten the Titan pole. Before you do, check that the Titan pole is perpendicular (90 degrees) to the floor in all directions using the level supplied. When it is perpendicular and where you want it to be, tighten the Pole using the Adjustment Bar.

Installer Caution: Do not overtighten the Titan pole because it could damage your ceiling.

STEP 9: Add the trim parts to the Ceiling Channel

Take the Channel Trim Strip Part C, and slide into one end of the Ceiling Channel Part A. Mark it at the end of the channel, cut where the mark is and slide it back into the channel. Repeat this on the other side of the channel. Now screw the two plastic End Caps Part D onto each end of the channel using a philips screw driver.

Installer Note: You can cut the Channel Trim Strips using strong scissors or a fine blade hack-saw.



STEP 9

STEP 10: Final Checks

Ensure the Titan pole is safe and secure by grasping the Pole mid-height and push and pull vigorously. The Base or Ceiling Channel should not slide or move if the Titan pole is tensioned correctly.

When the Titan pole is tight and secure, tighten the Bottom Locking Nut against the bottom of the Titan pole using the Adjustment Bar.

Additional Securing methods (Optional)

The Titan pole Base can be fixed permanently onto the floor with two fasteners (not supplied).

This will provide a more secure installation. These methods should be used if any of the following conditions exist:

- The Pole will be subject to heavy usage. Heavy usage is defined as when the Titan pole is used for more than normal balance assistance or stability.
- The ceiling or floor is subject to flexion or movement.
- The floor surface is smooth or polished making it easy for the Floor Base to move or slip.
- There is a chance that the floor in the area where the Pole is installed could get wet.

MAINTENANCE AND CLEANING

- The Titan pole can loosen with use. The Titan pole should be checked weekly.
 - ◇ Check that neither the Floor Base nor the Ceiling Disc has moved and that the Titan pole is still perpendicular (90 degrees) to the floor.
 - ◇ If necessary, repeat Step 10.
- To clean your Titan pole, simply wipe with a clean cloth and any commercially available cleaning solution.

LIMITED WARRANTY

Hartmobility Inc. product(s) are covered by a limited lifetime parts warranty. This warranty covers against defects in design and workmanship. Hartmobility Inc. will correct any defects in parts or workmanship at no charge.

The warranty does not cover product failure due to installation error, owner misuse, abuse, negligence or normal wear and tear.

