



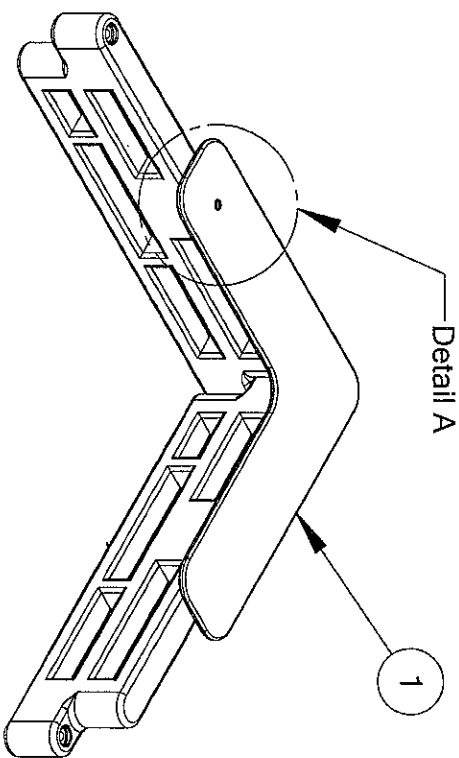
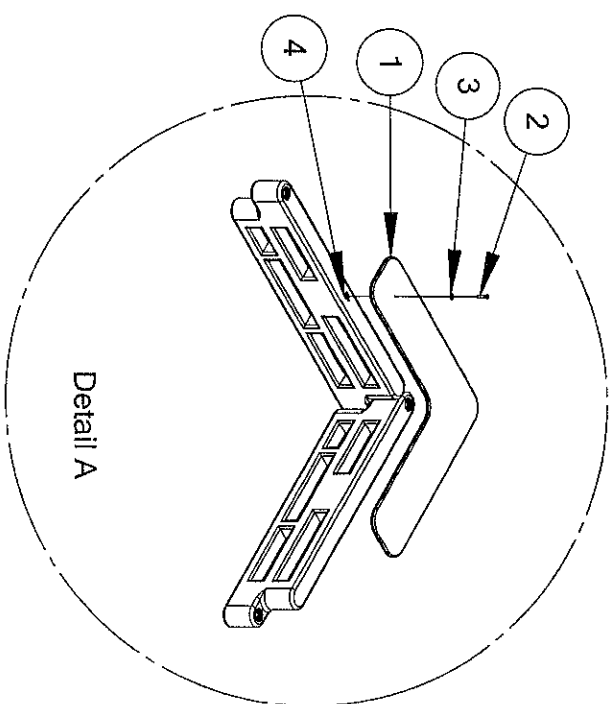
Tot Town Sandbox Seat

902-831

ITEM NO.	PART NUMBER	DESCRIPTION	QTY.
1	902-831	Sandbox Seat	1
2	126-705	3/8" x 2" Button Head Bolt	4
3	316-601	3/8" Flat Washer	4
4	516-200	3/8" x 16 Toggler	4
5	416-505BPK	7/32 Socket Key	1

INSTRUCTION

- Place seat on timbers as shown and mark the (4) holes on top of the timber. Remove the seat and drill the (4) holes. You will need a 3/4" drill bit to drill the holes.
- Now install the zip togglers by pushing the metal part down into the timber and carefully push the plastic tab down to the top of the timber. Once pushed down break of the long plastic arms on the zip togglers.
- Now replace seat and attach it with the 3/8" x 2" button head bolts and the 3/8" flat washers provided then tighten down.



5

1

4

1

3

1

2

1

1