



TRAK



PARTS MANUAL

Table of Contents

FRAME COMPONENTS

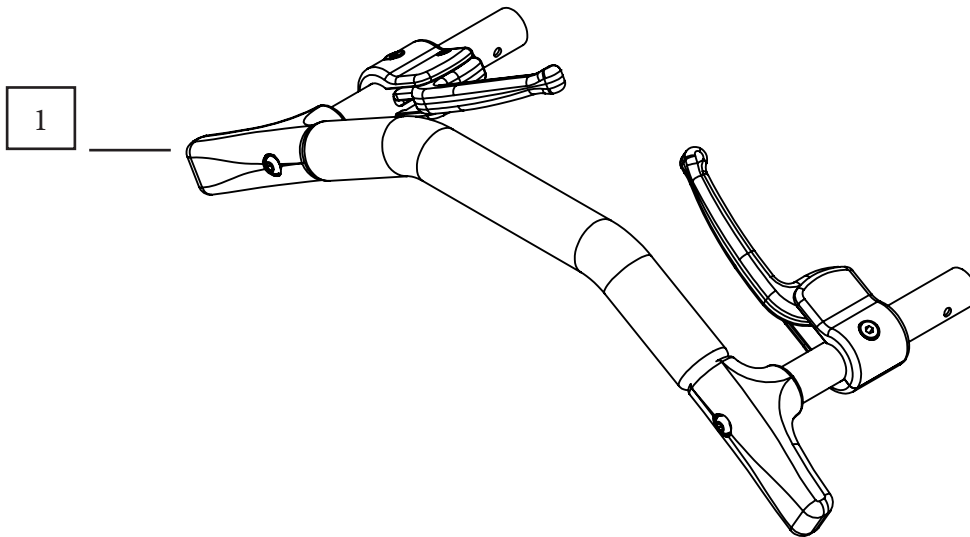
Table of Contents	1
Handlebar ASM	2
Handlebar / Knee Ratchet L & R ASM	2
Back ASM.....	3
Base Frame ASM	4
Rear Frame ASM	5
Frame Tube Upper ASM	6
Frame Tube Middle ASM.....	6
Side Plate ASM	6
Tilt Plate ASM.....	6
Unfolding Tube ASM	6
Seat Plate Rear ASM	7
Seat Extension ASM	7
Seat Plate Front ASM.....	7
Short & Long Seat Tubes	7
Foot Plate Height & Angle Adjustable ASM.....	8
Foot Plate Standard Height Adjustable ASM.....	8
Rear Wheel ASM L & R.....	9
Quick Release Axle Pin.....	9
Caster ASM	9

ACCESSORIES

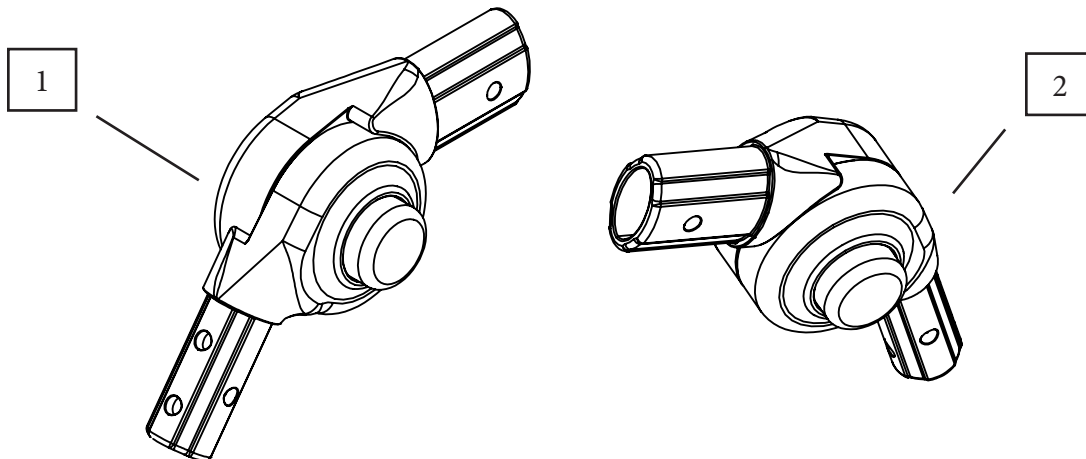
Armrests	10
Tray Platform	10
Tray Hardware.....	10
Caster Swivel Lock.....	11
Anti-Tips	11
Planar Seat.....	12
Contoured Configurable Back	12
Sunshade	12
Under Seat Storage Bag	12
Fixed Trunk Supports	13
Lateral/Pelvic Thigh Supports.....	13
Headrest Clamp.....	14
8in Multi Adjustable Headrest.....	14
RESPOND Cradle Headrest.....	15
Swing In/Out Lateral HDWR.....	15
Lumbar EVA & 4 EVA Wedges	16
Strap Risers.....	16
LTV Bracket for LTV 950	17
IV Pole.....	17
Oxygen Tank Holder.....	18
Equipment Trays.....	19
Ankle Supports	20
Cascading Contoured Cushion & Ischial Inserts	21
Grab Bars	22
Rain Covers.....	22
Transit Option	23
5 Point Positioning Harness	24
5 Point Transit Harness & Sure-Lok Lap Belt.....	24



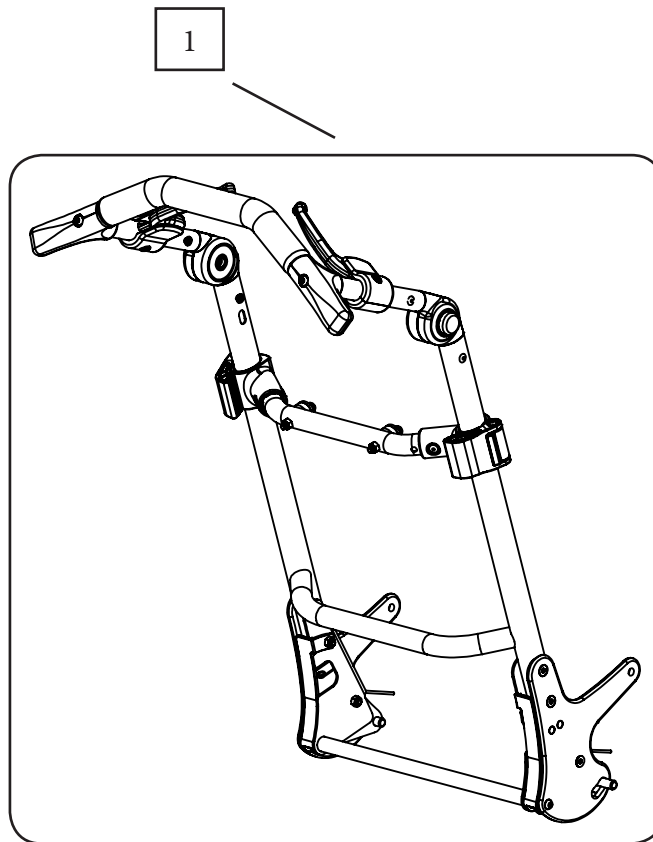
REF #	DESCRIPTION	PART #	QTY
1	TRAK 12 Handlebar ASM	4020-0100	1
1	TRAK 14 Handlebar ASM	4020-0101	1



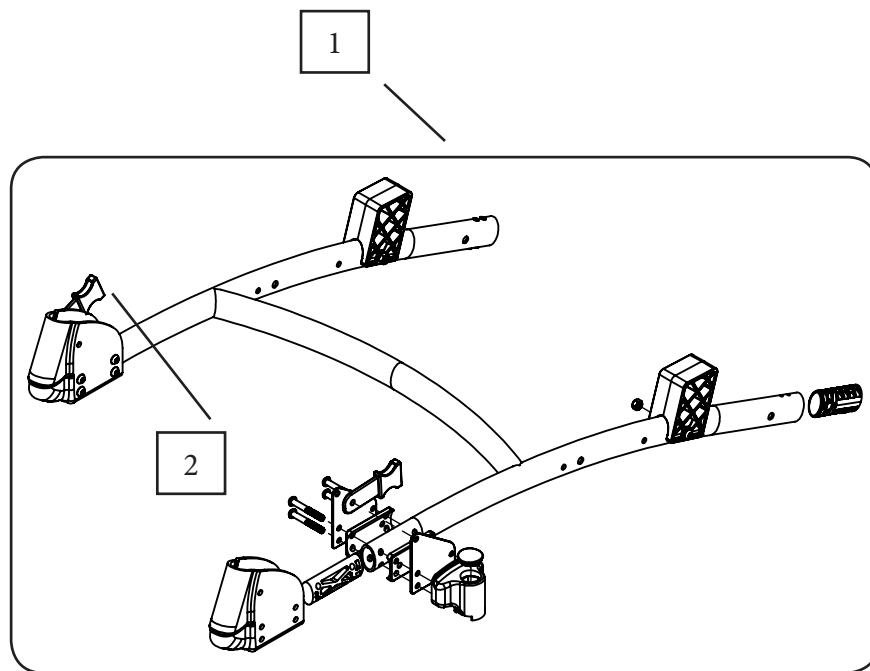
REF #	DESCRIPTION	PART #	QTY
1	Handlebar / Knee Ratchet Right	4020-0102	1
2	Handlebar / Knee Ratchet Left	4020-0103	1



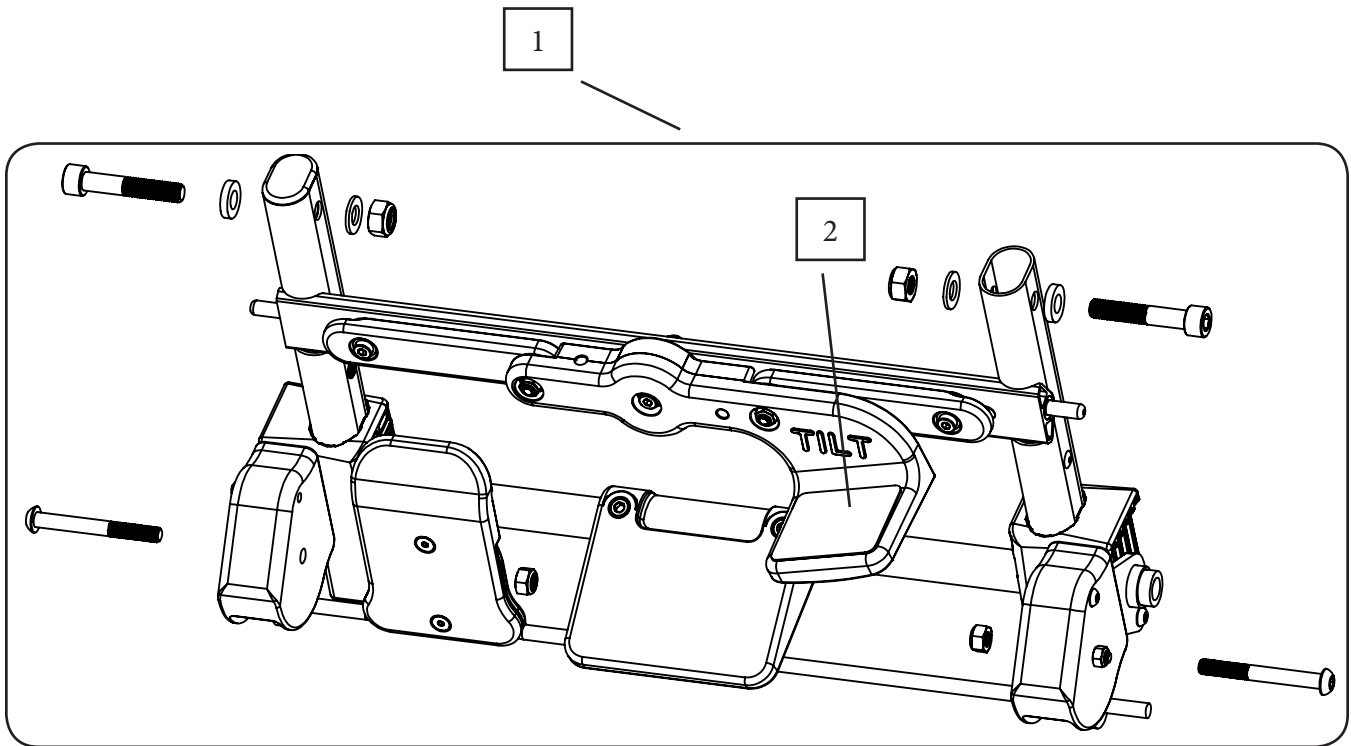
REF #	DESCRIPTION	PART #	QTY
1	TRAK 12 Back ASM	4020-0104	1
1	TRAK 14 Back ASM	4020-0105	1



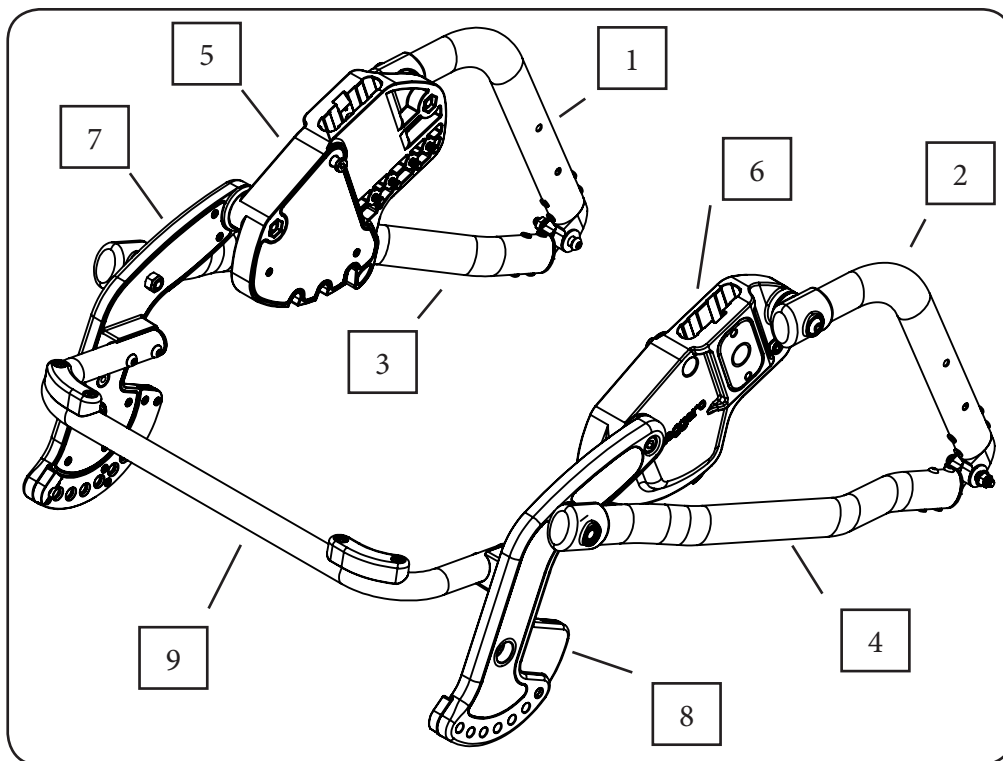
REF #	DESCRIPTION	PART #	QTY
1	TRAK 12 Base Frame ASM	4020-0106	1
1	TRAK 14 Base Frame ASM	4020-0107	1
2	Folding Lock Straps, Male & Female Buckles	4020-0133	1



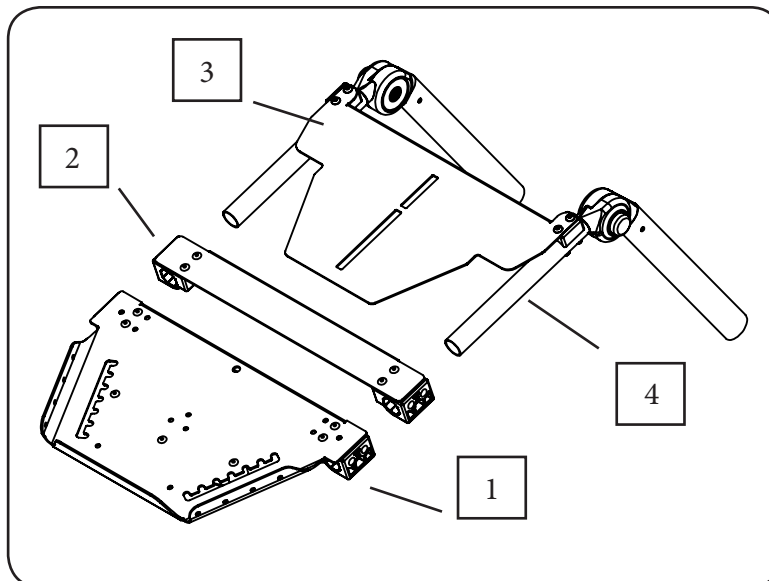
REF #	DESCRIPTION	PART #	QTY
1	TRAK 12 Rear Frame ASM & HDWR	4020-0108	1
1	TRAK 14 Rear Frame ASM & HDWR	4020-0109	1
2	TRAK Foot Tilt Lever	4020-0134	1



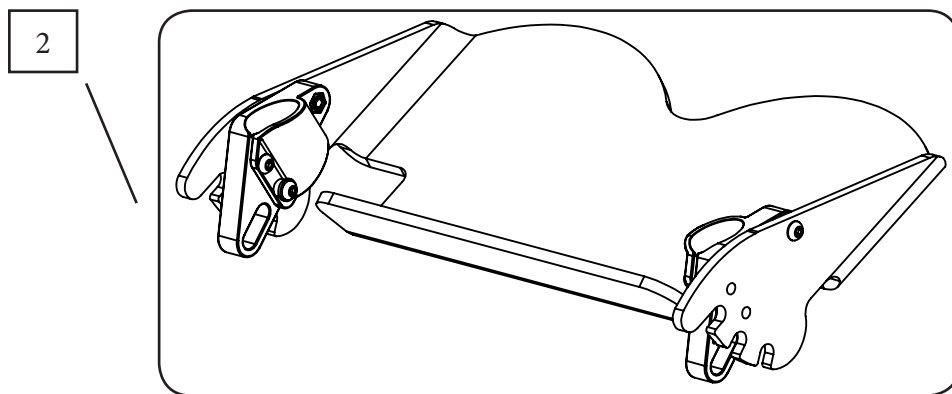
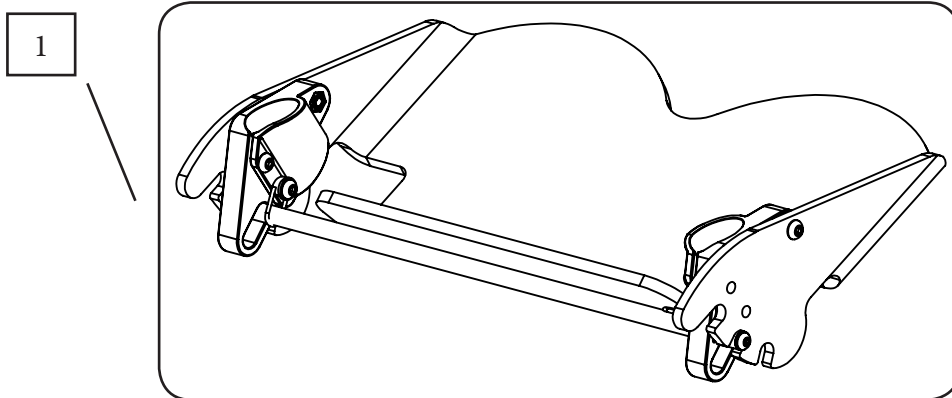
REF #	DESCRIPTION	PART #	QTY
1	Frame Tube Upper Left ASM	4020-0110	1
2	Frame Tube Upper Right ASM	4020-0111	1
3	Frame Tube Middle Left ASM	4020-0112	1
4	Frame Tube Middle Right ASM	4020-0113	1
5	Side Plate Left ASM	4020-0114	1
6	Side Plate Right ASM	4020-0115	1
7	Tilt Plate Left ASM	4020-0116	1
8	Tilt Plate Right ASM	4020-0117	1
9	TRAK 12 Unfolding Tube ASM	4020-0118	1
9	TRAK 14 Unfolding Tube ASM	4020-0119	1



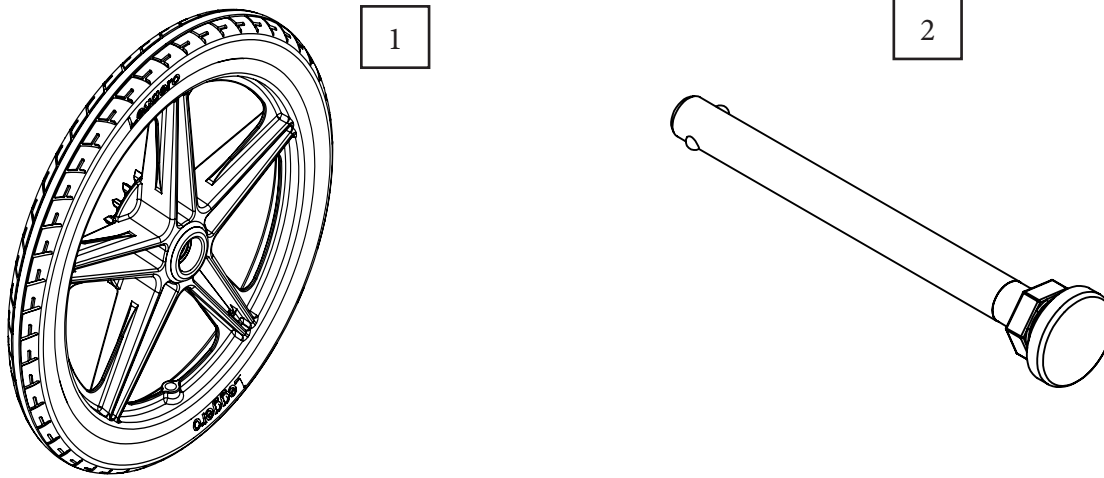
REF #	DESCRIPTION	PART #	QTY
1	TRAK 12 Seat Plate Rear ASM	4020-0120	1
2	TRAK 14 Seat Plate Rear ASM	4020-0121	1
2	TRAK 12 Seat Extension ASM	4020-0122	1
2	TRAK 14 Seat Extension ASM	4020-0123	1
3	TRAK 12 Seat Plate Front ASM	4020-0124	1
3	TRAK 14 Seat Plate Front ASM	4020-0125	1
4	Short Seat Tubes (seat depths from 6-10in) not shown	4020-0126	2
4	Long Seat Tubes (seat depths from 10-15in)	4020-0127	2



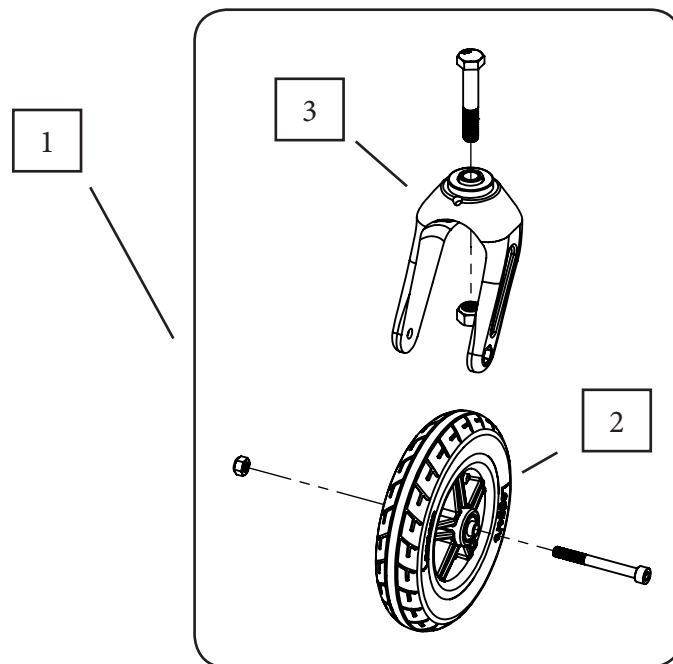
REF #	DESCRIPTION	PART #	QTY
1	Foot Plate Height & Angle Adjustable, 14	3002-5002	1
1	Foot Plate Height & Angle Adjustable, 12	4020-0136	1
2	Foot Plate Standard Height Adjustable, 14	3002-5001	1
2	Foot Plate Standard Height Adjustable, 12	4020-0135	1



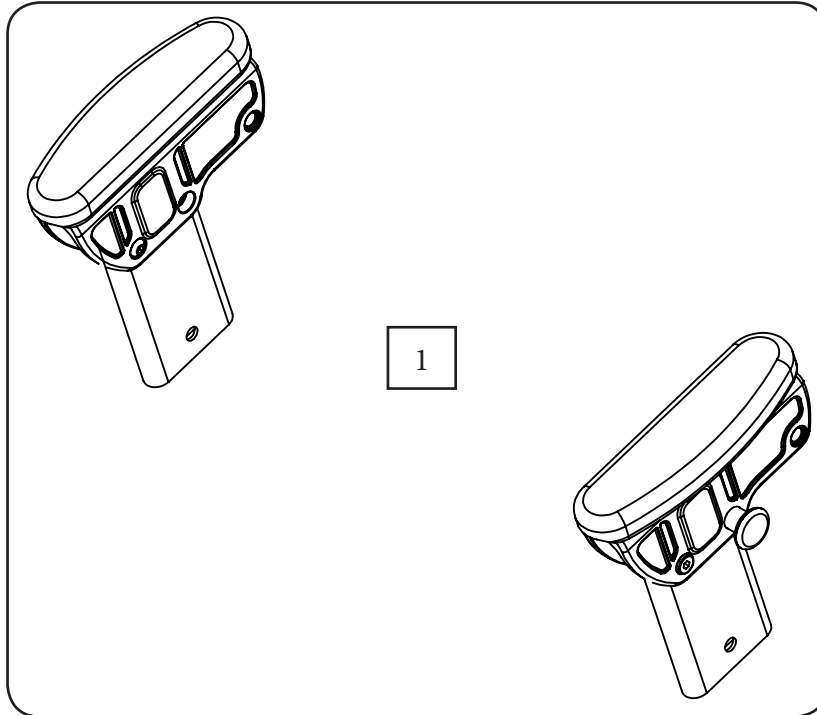
REF #	DESCRIPTION	PART #	QTY
1	TRAK Rear Wheel ASM, Left & Right	4020-0128	1
2	Quick Release Axle Pin	4020-0006	1



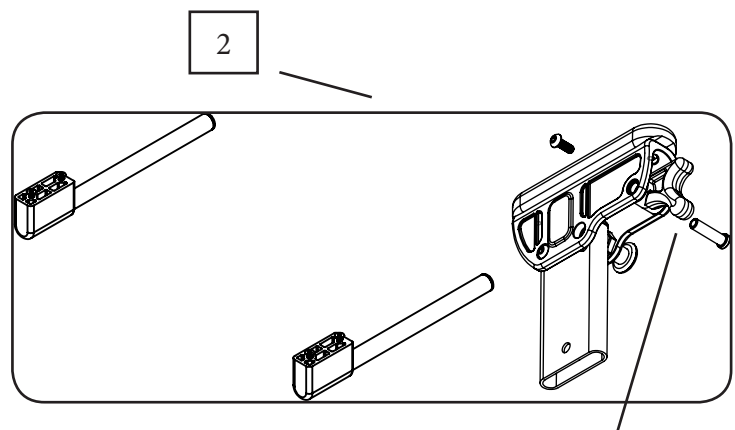
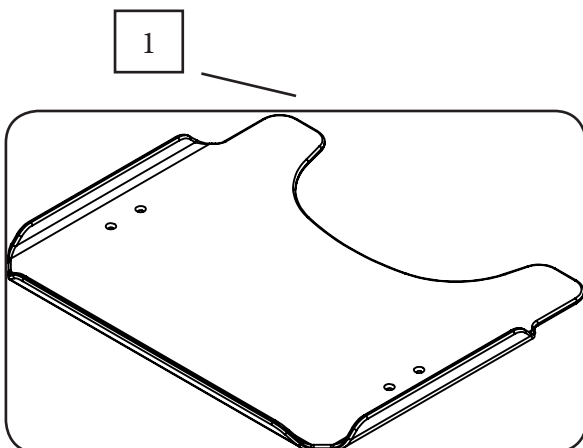
REF #	DESCRIPTION	PART #	QTY
1	TRAK Caster ASM	4020-0129	1
2	TRAK Caster Wheel ASM & HDWR	4020-0130	1
3	TRAK Caster Fork ASM & HDWR	4020-0131	1



REF #	DESCRIPTION	PART #	QTY
1	Armrests, Height & Angle Adjustable (pair)	3002-6017	1

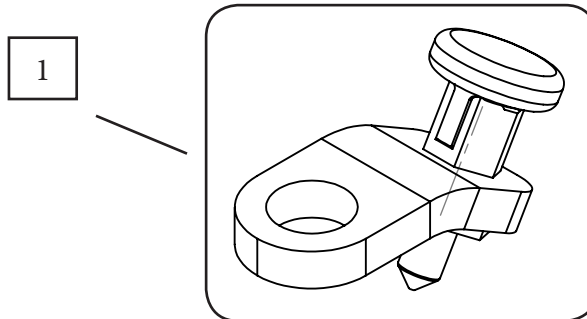


REF #	DESCRIPTION	PART #	QTY
1	TRAK 12 Clear Positioning Tray Platform	3002-6021	1
1	TRAK 14 Clear Positioning Tray Platform	3002-6015	1
2	Tray Hardware, Height & Angle Adjustable	3002-6016	1

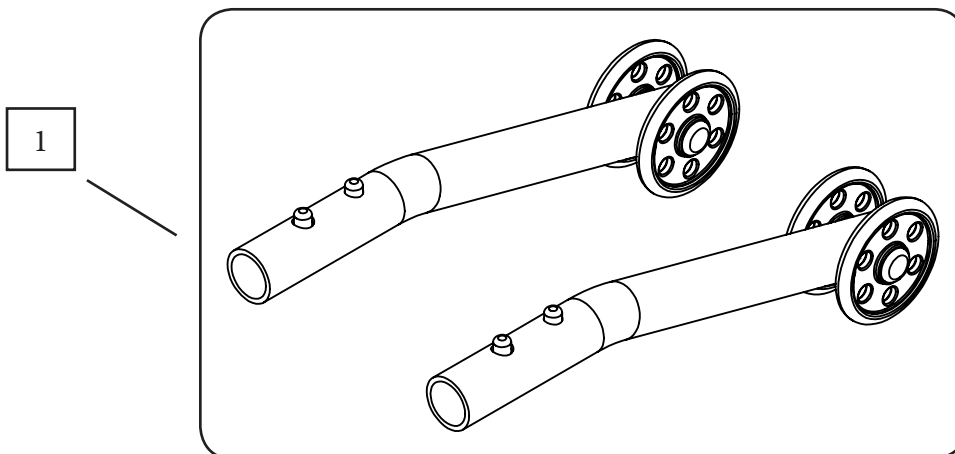


Only includes cam lock, bolt and barrel nut

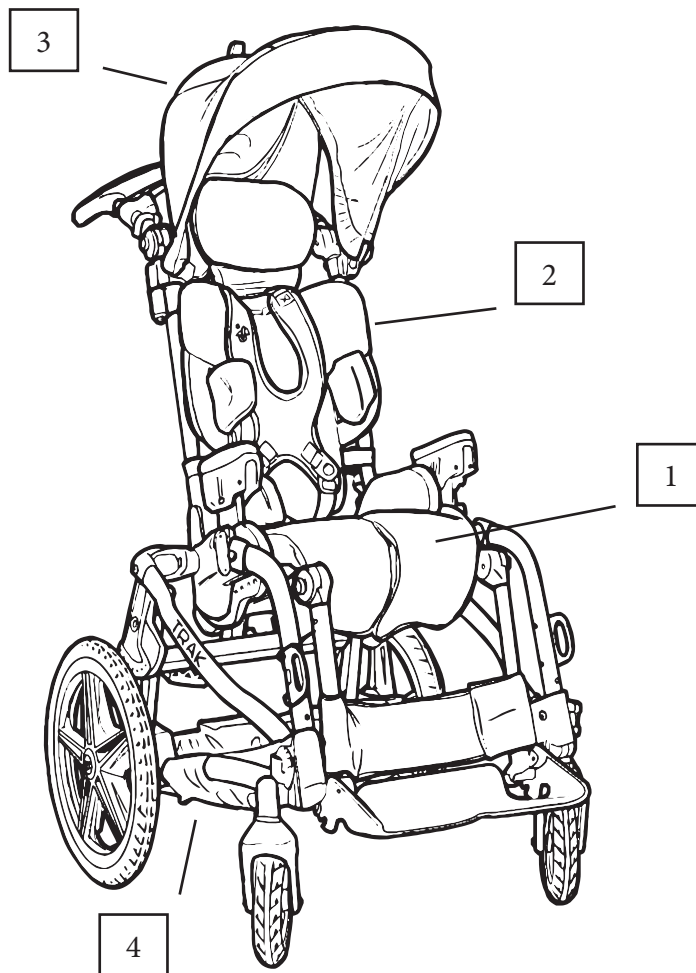
REF #	DESCRIPTION	PART #	QTY
1	TRAK Castor Swivel Lock	4020-0132	2



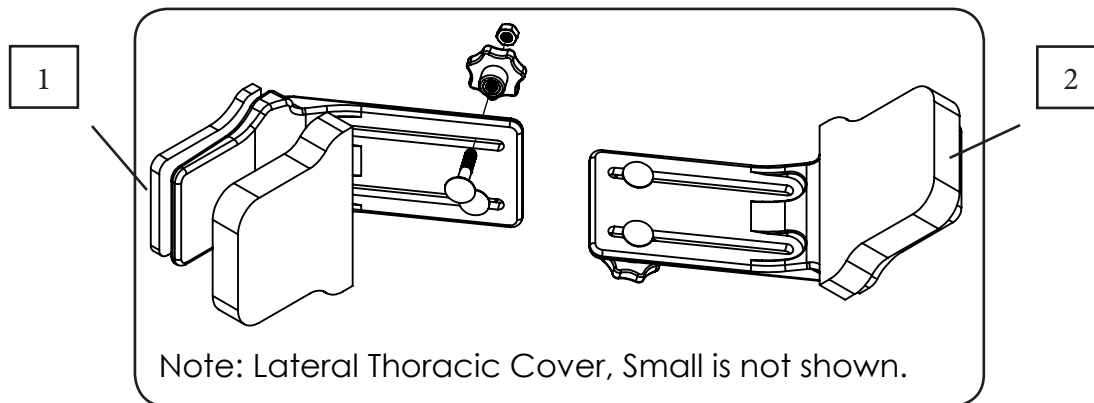
REF #	DESCRIPTION	PART #	QTY
1	Rear Anti-Tips	3002-7007	2



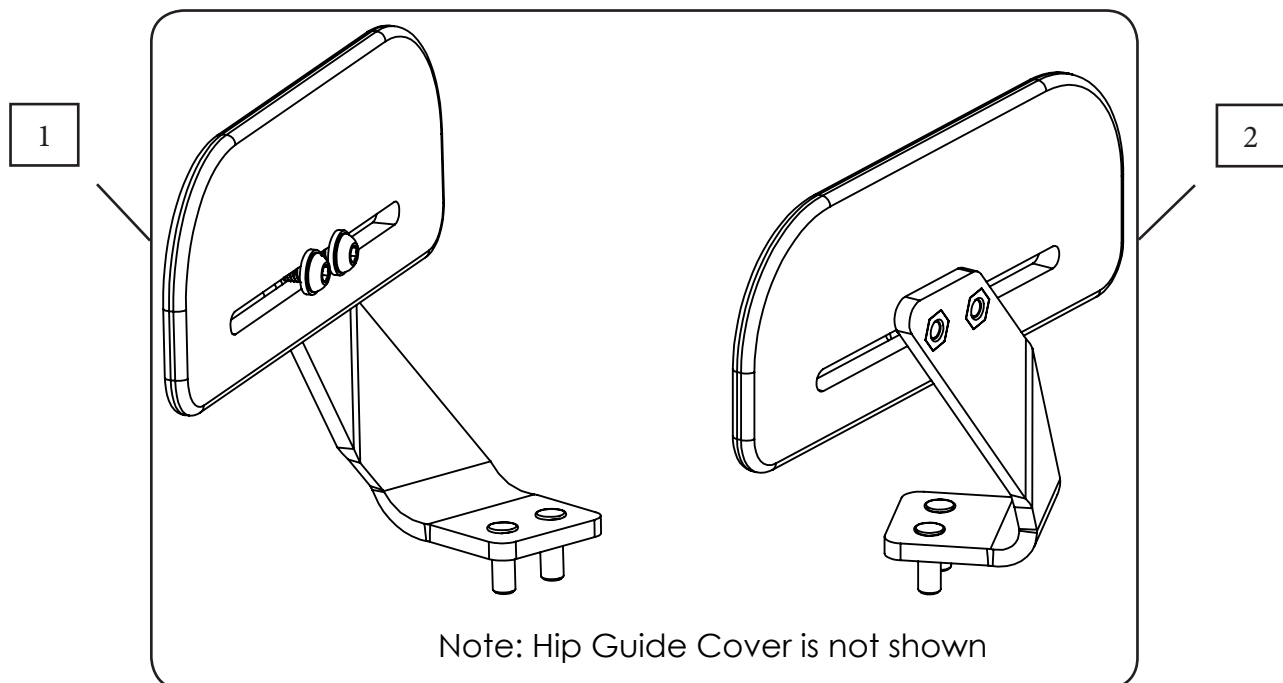
REF #	DESCRIPTION	PART #	QTY
1	TRAK 12 Cascading Planar Seat Cushion	3002-3004	1
1	TRAK 12 Extra Planar Cushion Cover	3002-7024	1
1	TRAK 14 Cascading Planar Seat Cushion	3002-3001	1
1	TRAK 12 Extra Planar Cushion Cover	3002-7010	1
2	TRAK 12 Contoured Configurable Back	3003-4002	1
2	TRAK 12 Extra Back Cushion Cover	3003-3013	1
2	TRAK 14 Contoured Configurable Back	3003-4001	1
2	TRAK 14 Extra Back Cushion Cover	3003-3009	1
3	Sunshade	4020-0137	1
4	TRAK 14 Under Seat Storage Bag	4020-0138	1
4	TRAK 12 Under Seat Storage Bag	4020-0139	1



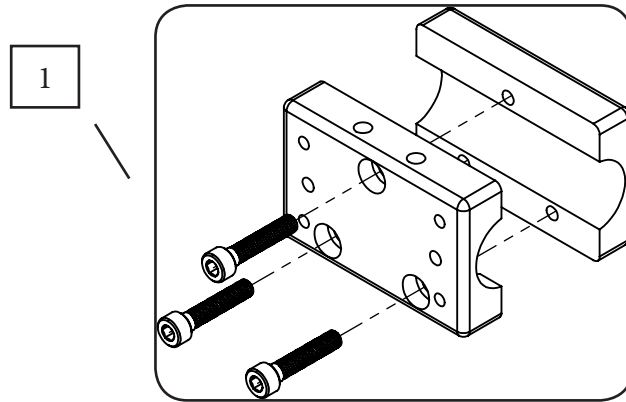
REF #	DESCRIPTION	PART #	QTY
1	Fixed Trunk Support Right ASM	3003-6002	1
2	Fixed Trunk Supports Left ASM	3003-6001	1



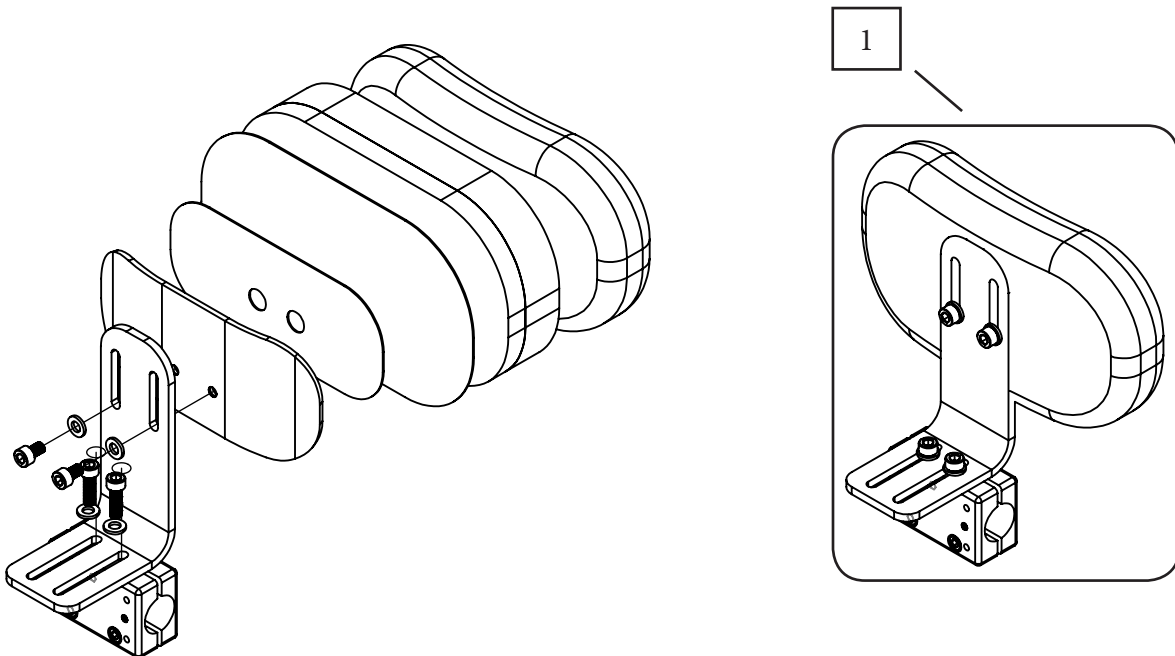
REF #	DESCRIPTION	PART #	QTY
1	Lateral/Pelvic Thigh Support Right ASM	3003-6007	1
2	Lateral/Pelvic Thigh Support Left ASM	3003-6006	1



REF #	DESCRIPTION	PART #	QTY
1	Headrest Clamp & HDWR	4020-0004	1



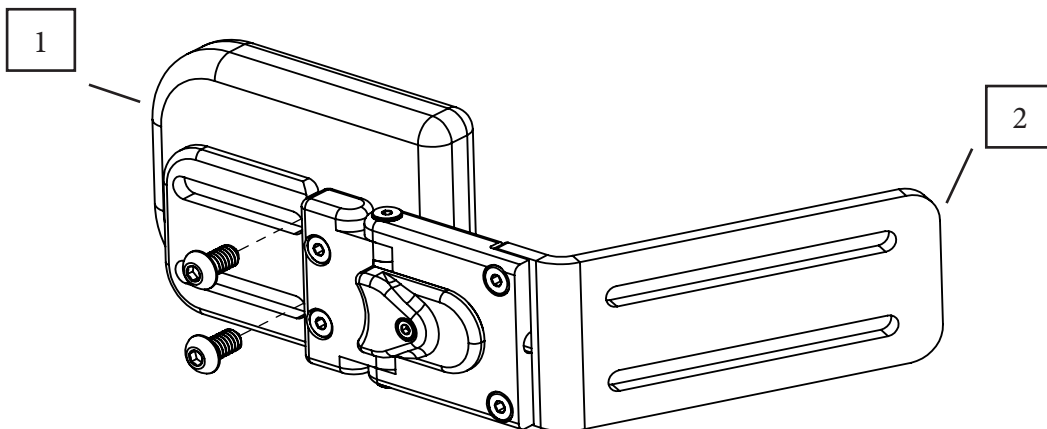
REF #	DESCRIPTION	PART #	QTY
1	8" Multi-Adjustable Curved Headrest	3001-6005	1



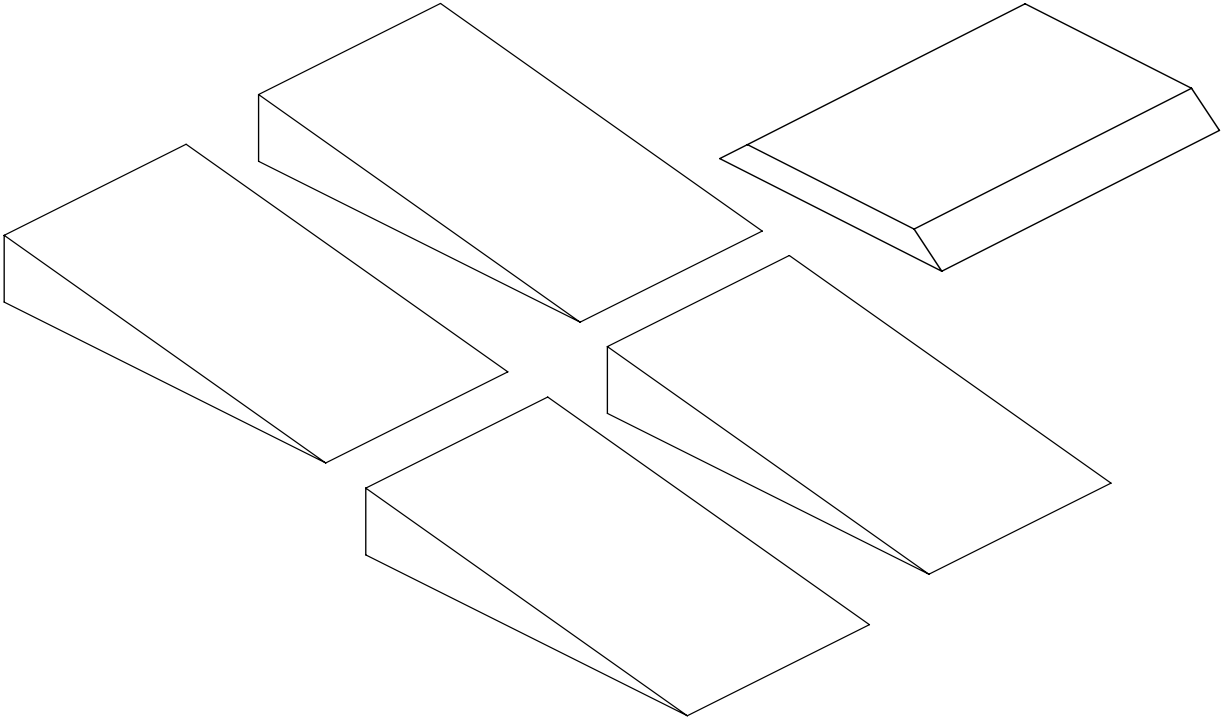
REF #	DESCRIPTION	PART #	QTY
1	RESPOND Cradle Headrest & HDWR ASM	3001-6005	1



REF #	DESCRIPTION	PART #	QTY
1	Swing Away In/Out Lateral HDWR Left ASM	3002-6111	1
1	Swing Away In/Out Lateral HDWR Right ASM	3002-6112	1
2	Lateral Pad 3x5", each	3004-6035	1
2	Lateral Pad 4x5", each	3004-6045	1
2	Lateral Pad 4x6", each	3004-6046	1



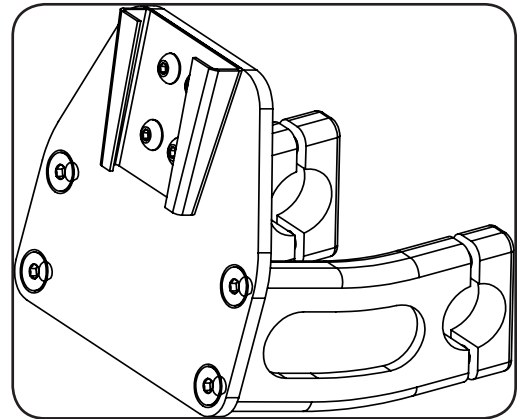
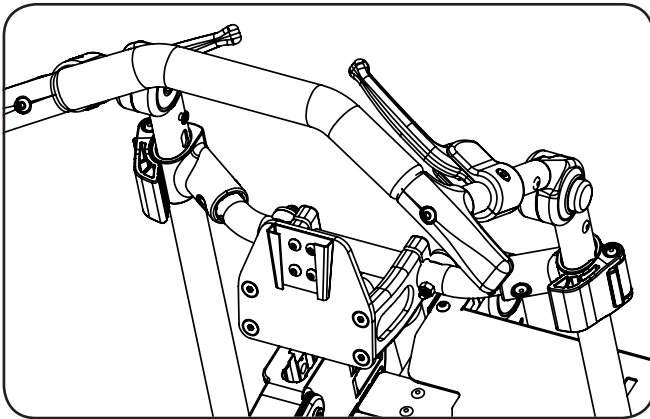
REF #	DESCRIPTION	PART #	QTY
1	Lumbar EVA & 4 EVA Wedges	3001-7001	1



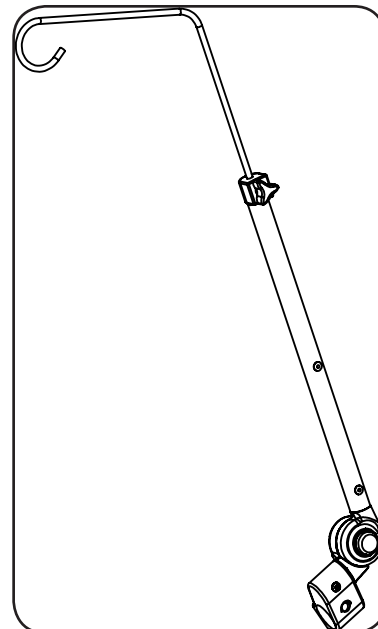
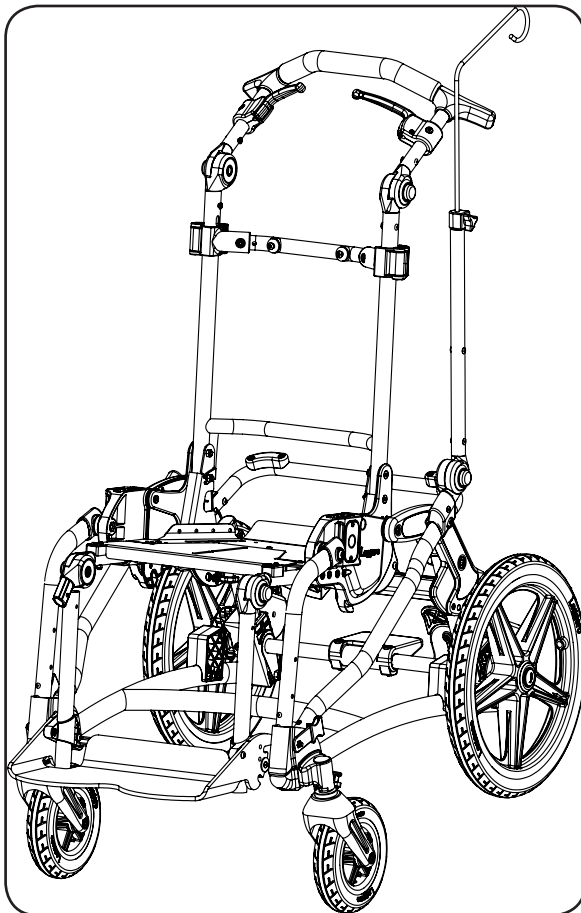
REF #	DESCRIPTION	PART #	QTY
1	Strap Risers, Pair	3001-6011	1



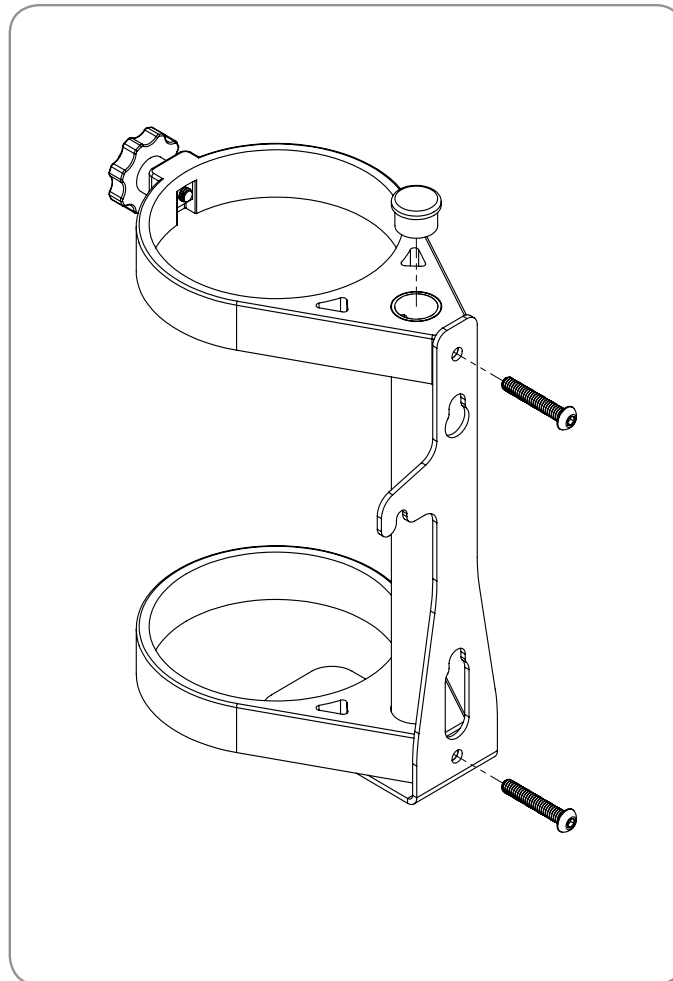
REF #	DESCRIPTION	PART #	QTY
1	LTV Bracket for LTV 950	3002-7019	1



REF #	DESCRIPTION	PART #	QTY
1	IV Pole	3002-7016	1

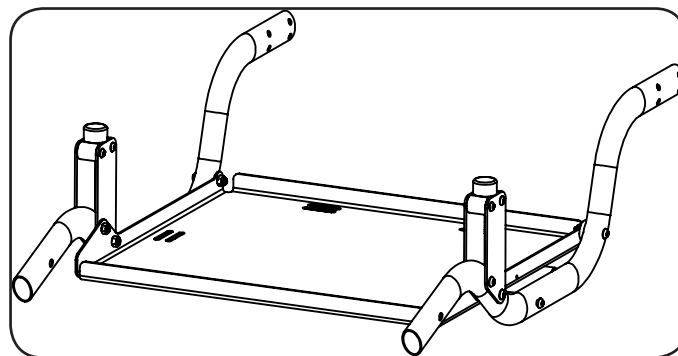
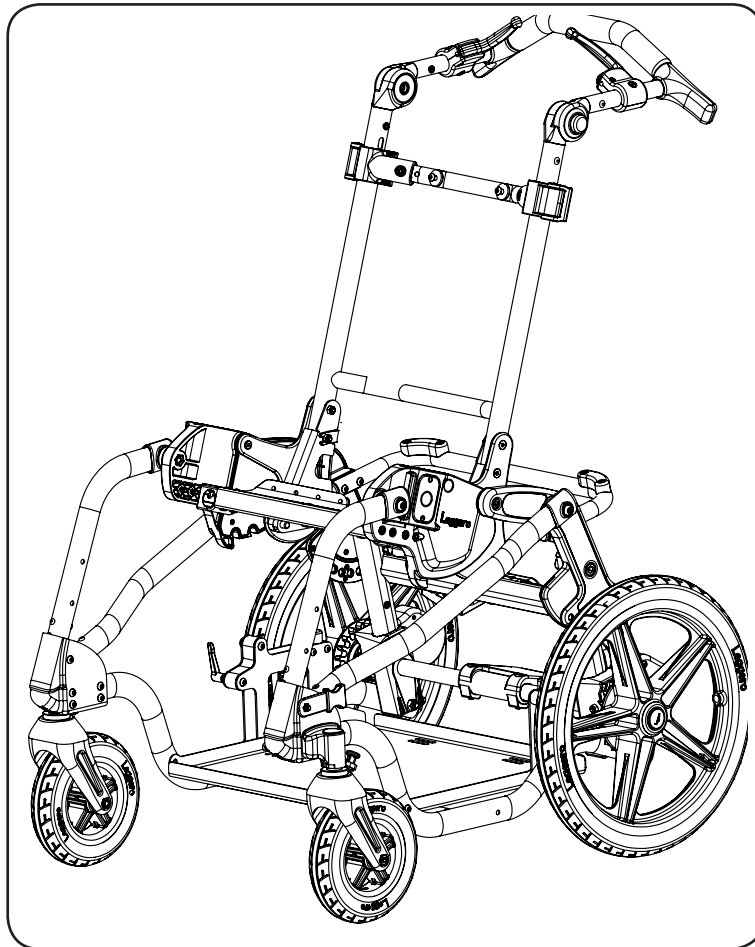


REF #	DESCRIPTION	PART #	QTY
1	Oxygen Tank Holder (D size)	3002-7017	1



Note:
Oxygen Tank Holder must be installed by the manufacturer.

REF #	DESCRIPTION	PART #	QTY
1	TRAK 12 Equipment Tray ASM	3002-7027	1
1	TRAK 14 Equipment Tray ASM	3002-7018	1



Note:
Equipment Tray ASM must be installed by the manufacturer.

REF #	DESCRIPTION	PART #	QTY
1	Ankle Support Left XS (Pad 2x8")	3001-6007	1
2	Ankle Support Right XS (Pad 2x8")	3001-6008	1
3	Ankle Support Left S (Pad 3x10")	3001-6009	1
4	Ankle Support Right S (Pad 3x10")	3001-6010	1

2

1

4

3



REF #	DESCRIPTION	PART #	QTY
1	TRAK 12 Cascading Contoured Cushion	3002-3005	1
1	TRAK 14 Cascading Contoured Cushion	3002-3002	1
2	TRAK 12 PU Foam Ischial Insert	3003-3010	1
2	TRAK 14 PU Foam Ischial Insert	3003-3006	1
3	TRAK 12 Soft Mem. Foam Ischial Insert	3003-3011	1
3	TRAK 14 Soft Mem. Foam Ischial Insert	3003-3007	1
4	TRAK 14 Med Mem. Foam Ischial Insert	3003-3008	1

1



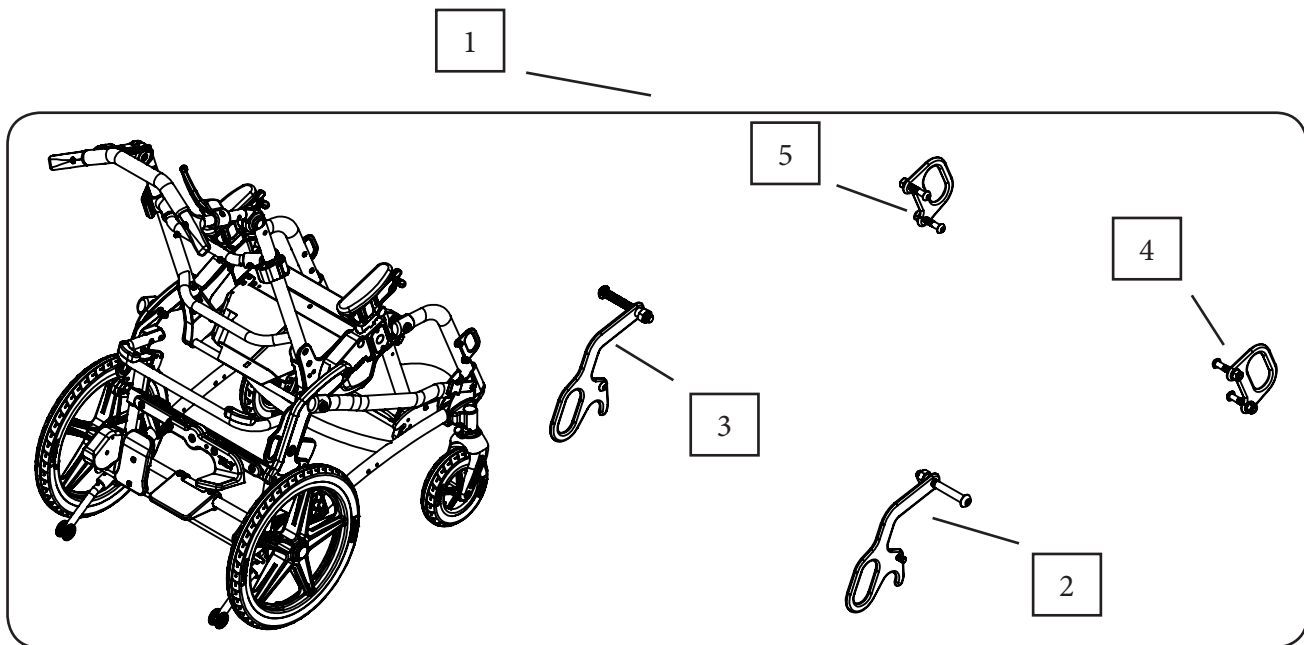
REF #	DESCRIPTION	PART #	QTY
1	TRAK 12 Grab Bar	3002-6113	1
1	TRAK 14 Grab Bar	3002-6019	1



REF #	DESCRIPTION	PART #	QTY
1	TRAK 12 Rain Cover	3002-7026	1
1	TRAK 14 Rain Cover	3002-7014	1



REF #	DESCRIPTION	PART #	QTY
1	TRAK Transit Option (RESNA WC-19)	3002-7001	1
2	TRAK Securement Point Rear, Right ASM	4020-0140	1
3	TRAK Securement Point Rear, Left ASM	4020-0141	1
4	TRAK Securement Point Front, Right ASM	4020-0142	1
5	TRAK Securement Point Front, Left ASM	4020-0143	1



TRAK Transit Option (3002-7001) must be installed by the manufacturer.

REF #	DESCRIPTION	PART #	QTY
1	5 Point Positioning Harness 12/14	4020-0144	1



Note:

Harness shown with pad set. Pad set must be ordered separately. Harness anchors to chair the same as Leggero offered lap belts and chest harness' with 3 bar slides.

REF #	DESCRIPTION	PART #	QTY
1	Transit 5 Point Harness for 12/14	3002-7002	1
2	5 Point Harness Pad Set	3002-7022	1
3	Transit Sure-Lok Lap Belt	3002-7023	1

