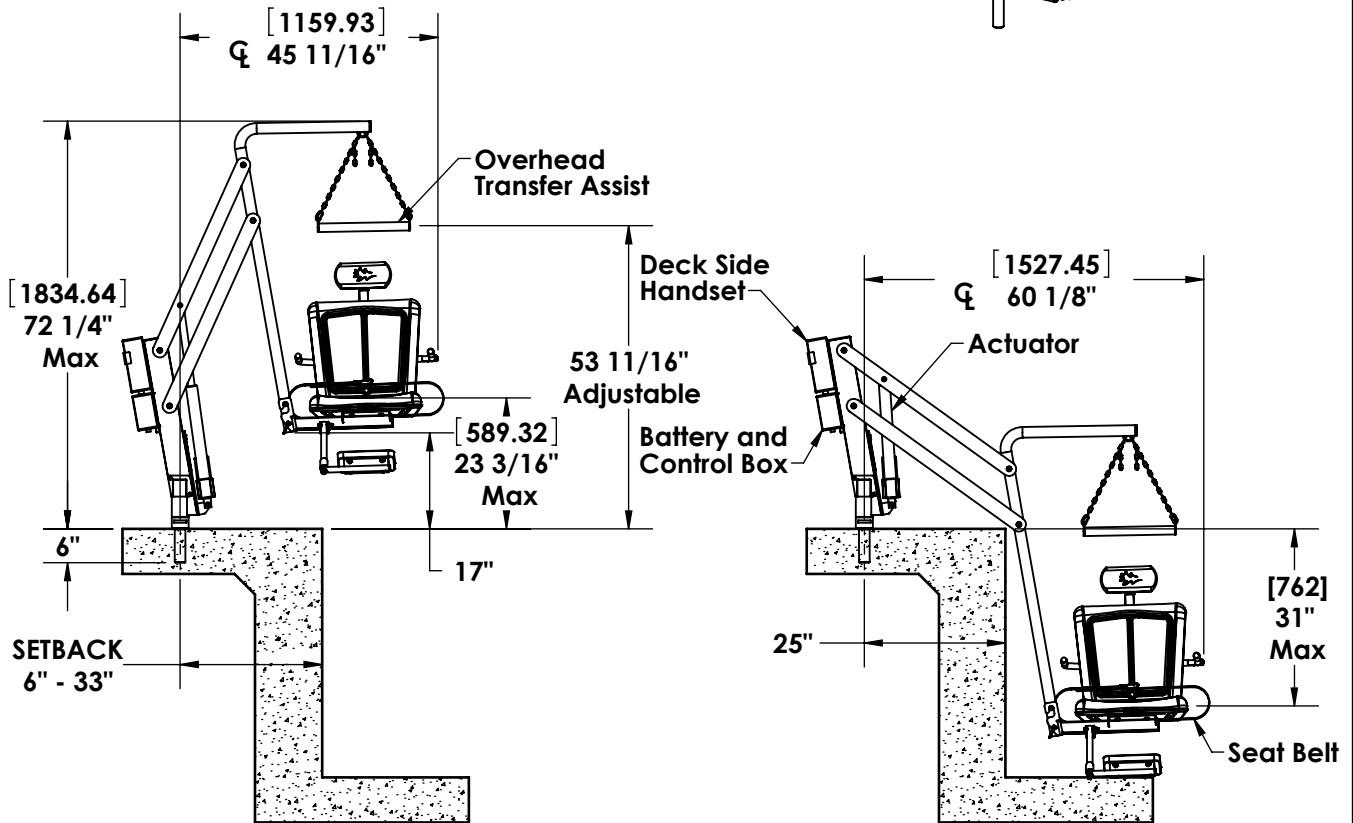
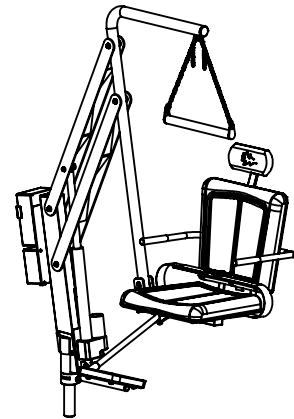
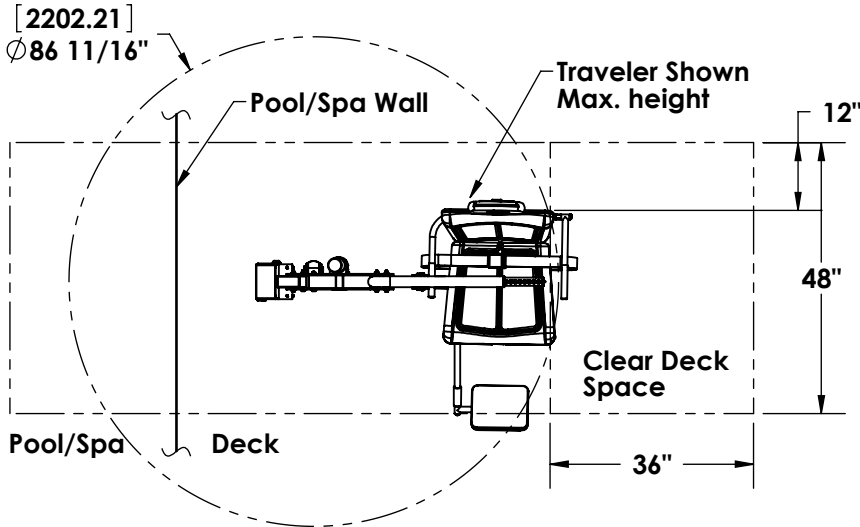


SWIM LIFT MODEL - TRAVELER II XRC BP500



NOTE:

1 DIMENSIONS VARY WITH SPECIFIC APPLICATIONS.
SPECIFICATIONS ARE NOMINAL AND ARE SUBJECT TO CHANGE.
PLEASE CONTACT SPECTUM PRODUCTS FOR CUSTOM APPLICATIONS.

Note:

Maximum depth achieved when Traveler is setback to a maximum of 25"

Lift will lower to 18" below pool deck at a maximum of 33" setback.

SPECTRUM
Products

7100 Spectrum Lane
Missoula, Montana 59808
406.542.9781 * 800.791.8056
Fax: 406.542.1158
www.spectrumproducts.com

ENGINEERING DATA

PRODUCT:	TRAVELER II XRC BP500
PRODUCT #:	27610
REVISION:	C
MATERIAL:	304 STAINLESS STEEL