

DISTRIBUTOR/AGENT:	DATE OF ORDER:
	DATE OF DELIVERY:
	NAME OF THE ADDRESSEE/USER:



ISO 7176/19 e
ANSI RESNA WC/19



very
breathable
and fire
retardant
upholstery



Marked **CE**



Attention!
Read carefully the user and
maintenance manual

FEATURES

- Available in three sizes.
- **2 versions: Trolli T30 and Trolli T60 with self-propelling wheels.**
- **Frame:** light and umbrella folding system, in aluminium. It is painted with non-toxic epoxy powders. When folded Trolli is compact and it allows you to carry it as if it were a travel trolley.
- **Push handles with manual and parking brakes.** Not available for Trolli T60 with self-propelling wheels.
- Resistant and durable **Backrest** guaranteed by the cross on the back.
- Slightly tilted **Seat.** The cross below ensures stability, comfort and durability.
- Extremely breathable, resistant and easily washable **Upholstery** (not removable). **Fire retardant**-reaction to fire Class 1 (non-flammable combustible materials) according to the MD of 26th. June, 1984 and subsequent amendments and additions.
- User manual **Bag** (Trolli T30) and wrench on the back of the backrest.
- **Legrest** adjustable in height. Elevatable and swivel **Footrests**, without encumbrance.
- **Front** solid swiveling **Wheels** 17cm (7 in) for size 36 and 40 and for all sizes of Trolli with self-propelling wheels; 20 cm (8 in) for size 43.
- **Rear** solid **Wheels** with **independent drum brakes**, 25 cm (10 in) for sizes 36 and 40; 30 cm (12 in) for size 43. **The self-propelling version has 56 cm (22 in) wheels with anti-tip device.** Overcoming step bar on both wheels.

Please check off the interested products

Frame colour: **Black**

Upholstery colour: **Black**

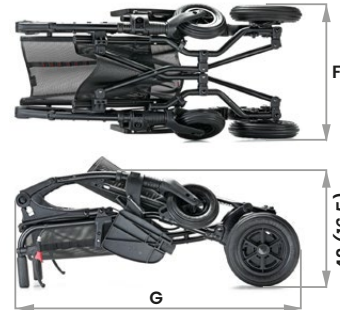
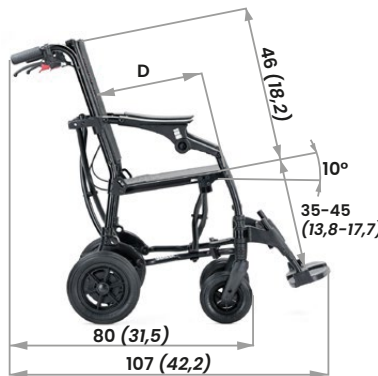


Unit of Measurement: cm (in); kg (lb)

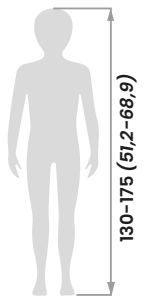
Size: size 36

size 40

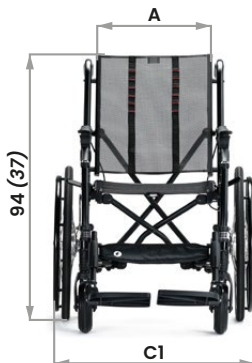
size 43



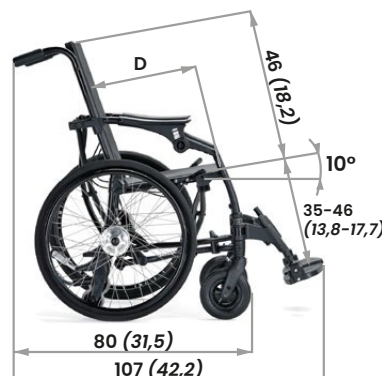
	A	C	C1	C2	D	F	G	Trolli T30 Total weight	Trolli T60 with self-propelling wheels Total weight	Max. Load
size 36	36 (14,2)	59 (23,2)	64 (25,2)	49 (19,3)	36 (14,2)	42 (16,5)	94 (37)	13,1 kg (28,8 lb)	16,8 kg (37 lb)	80 kg (176 lb)
size 40	40 (15,7)	63 (24,8)	68 (26,8)	53 (20,9)	40 (15,7)	46 (18,1)	94 (37)	13,6 kg (30 lb)	17,3 kg (38,1 lb)	90 kg (198 lb)
size 43	43 (16,9)	66 (26)	71 (27,9)	56 (22)	40 (15,7)	42 (16,5)	97 (38)	14,1 kg (31 lb)	17,8 kg (39,2 lb)	110 kg (242 lb)



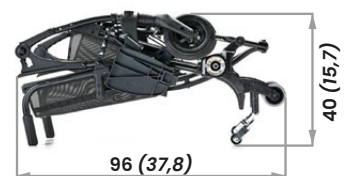
with self-propelling wheels



without self-propelling wheels



folded and without self-propelling wheels



COMPONENTS

951 Height adjustable push handles.

It increases the total height of max. 7 cm (2,7 in):
 > 94 cm (37 in) with standard push handles
 > 94-101 cm (37-39,7 in) with 951 push handles.

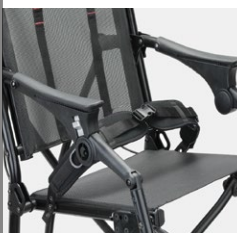
COMPONENT TO BE ORDERED WITH THE PRODUCT



COMPONENTS TO CHOOSE ALSO AFTERWARDS

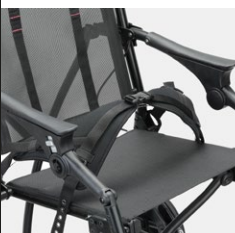
947 with variable angle

S M



920 4 point pelvic belt

S M



853 Vest harness

S



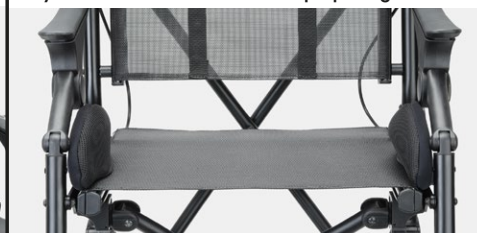
853 slim 4 point shaped harness

M



958 Pelvic side supports with internal padding

They reduce the seat width by 4 cm (1,6 in).
 Extra padding
 They reduce the seat width by 8 cm (3,2 in).
 They are not available for the self-propelling version.



960 Heel rests



956 Footrests adjustable in tilt



858 Shopping basket



812 Front wheel direction locks



968 Padded covers for armrests



966 Transformation kit from TROLLI T30 TO T60. For size 43, also the front wheels are provided.



891 set of 4 tie down hooks for the forward-facing transport of the pushchair in a motor vehicle.



COMPONENTS MEASURES

947

small
 A=19 cm/7,4 in
 B=6 cm/2,3 in

medium
 A=25,5 cm/10 in
 B=8 cm/3,1 in

920

small
 A=16 cm/6,2 in
 B=15,5 cm/6,1 in

medium
 A=23 cm/9 in
 B=19 cm/7,4 in

853

small
 A=25 cm/9,8 in
 B=34 cm/13,3 in

853 slim

medium
 A=33 cm/12,9 in
 B=46 cm/18,1 in
 C=5 cm/1,9 in