

Portable Pro Pool 2

PART #: F-PPP2 / F-PPP2S

US PATENT NUMBER: [D507,769 S] [7,249,386 B2]
350 LB. [160 kg] MAXIMUM WEIGHT CAPACITY

MANDATORY

LEAVE THIS MANUAL WITH LIFT OWNER

Read and follow all instructions.

Lift safety can only be ensured if the lift is installed and operated according to these instructions.



- NEVER permit children to play on or around the lift
- Do not allow children to use the lift without adult supervision
- NEVER apply direct water pressure to the electronics
- Do not use the Portable Pro Pool 2 for deck-to-waterline measurements over 13"
- NEVER operate lift without the 11 weight plates installed OR 650 pounds of sand.
- NEVER use the lift with a dry pool
- For safety reasons, NEVER swim alone



READ CAREFULLY

Check entire box and inside all packing materials for parts. Before beginning assembly, read the instructions and identify parts using the figures and parts listed in this document.

It is critical all parts be carefully inspected by the installer prior to installation to ensure no damage occurred in transit and a damaged part is not used. If any damage occurred in transit, Aqua Creek Products, LLC must be notified within three days of receipt of unit.

Proper installation cannot be overstressed, as an improper installation voids Aqua Creek's warranty and may affect the safety of the user.

Portable Pro Pool 2 Lift

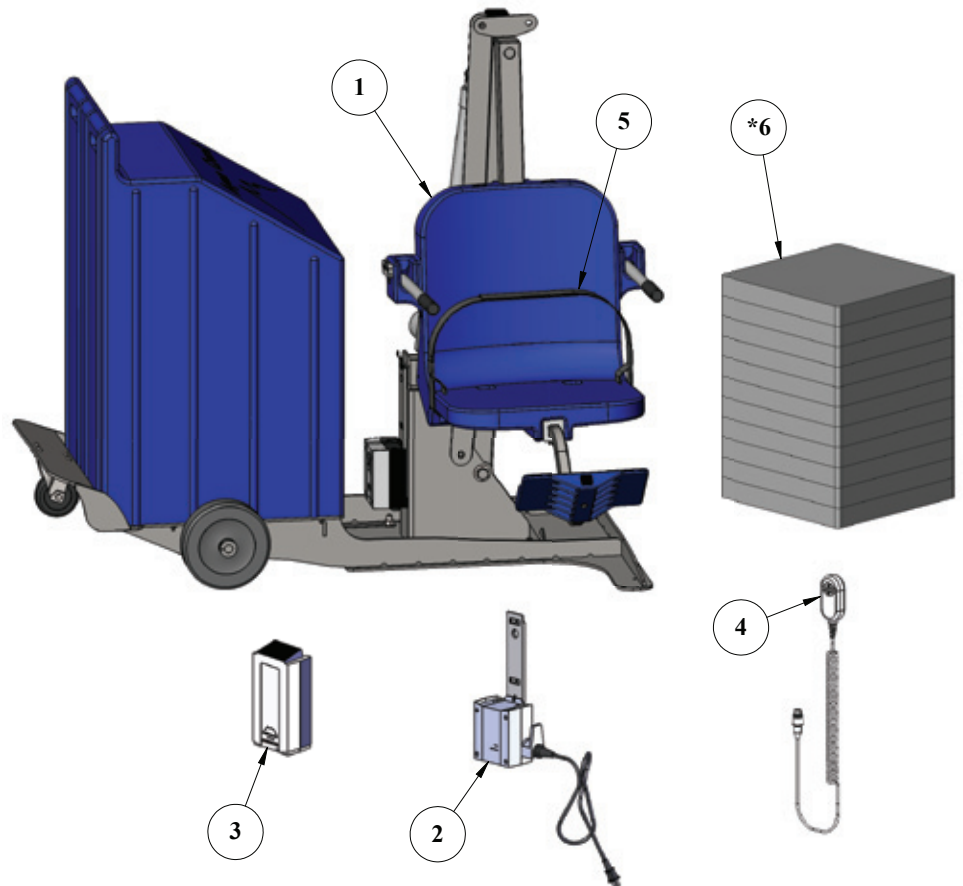
Table of Contents

PAGE	DESCRIPTION	PAGE	DESCRIPTION
2	Portable Pro Pool 2 Components	8	Portable Pro Pool 2 Lift Parts List
3-5	Portable Pro Pool 2 Assembly Instructions	9	Portable Pro Pool 2 Cart Parts List
6	Basic Troubleshooting	10	Warranty
7	Proper Care of Pool & Spa Lifts		

Portable Pro Pool 2 Components

1. PORTABLE PRO POOL 2 LIFT
2. LINAK BATTERY CHARGER
3. 24V LINAK BATTERY
4. LINAK HANDSET REMOTE
5. SEAT BELT
6. 11 CONCRETE WEIGHT PLATES*

only if weight plate version of lift was purchased

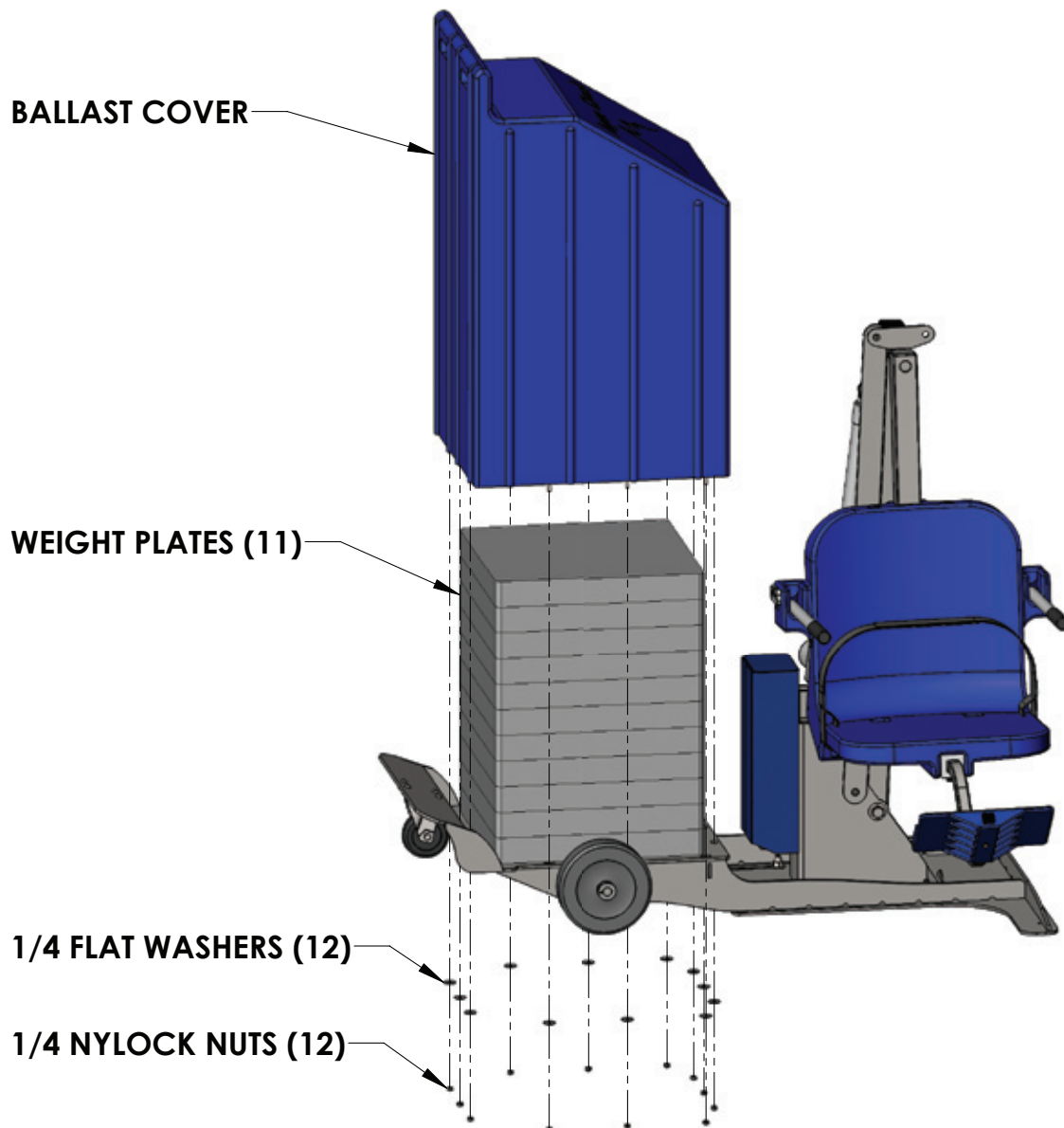


Portable Pro Pool 2 Assembly Instructions (Weight Plates)

TOOLS REQUIRED:

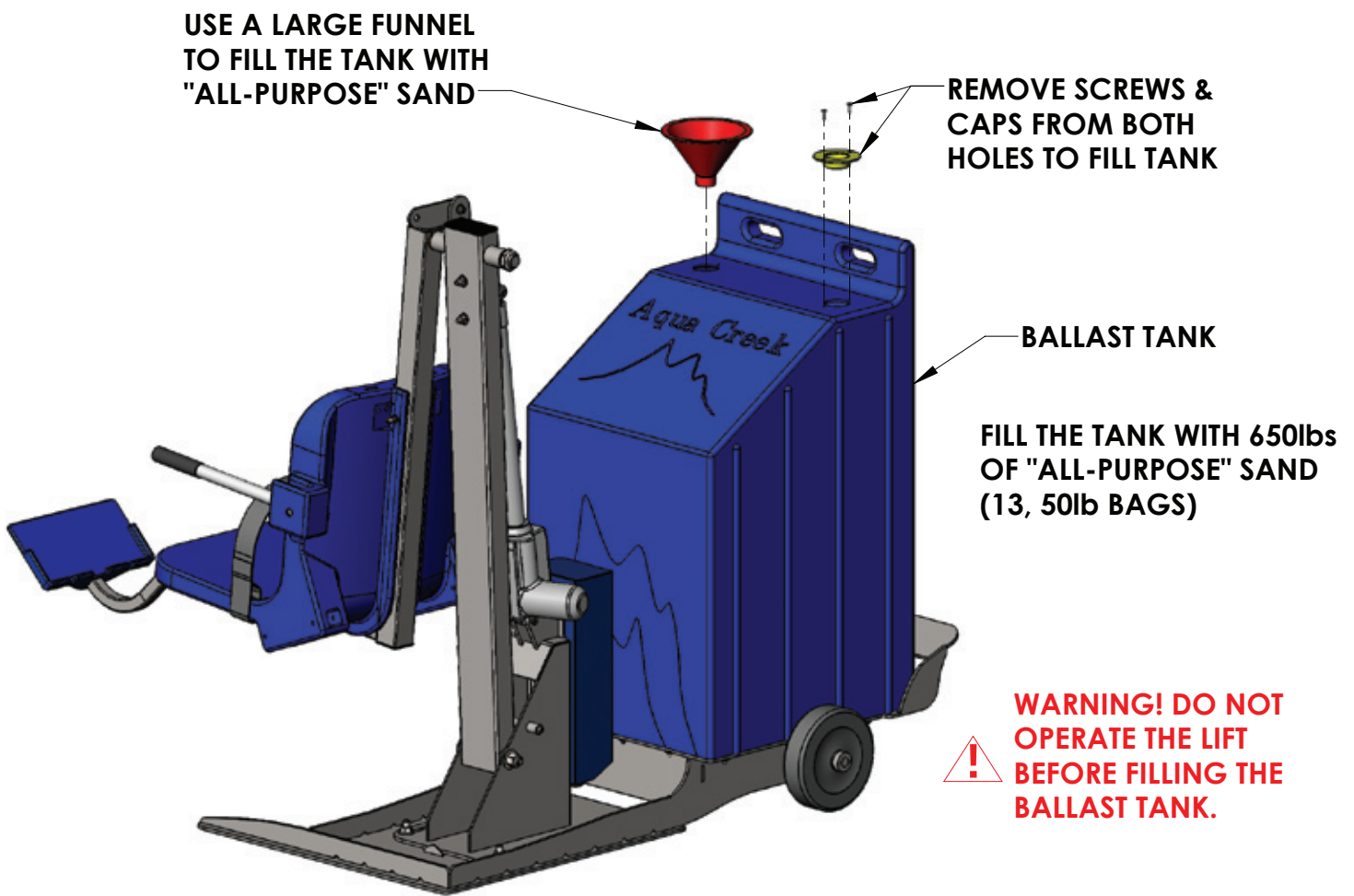
- 7/16" wrench

1. Using a 7/16" wrench, remove the four (4) nylock nuts and flat washers that are currently holding the hood onto the platform. These were installed strictly for shipping purposes and can be thrown away. Remove the hood and set aside.
2. Begin stacking the eleven (11) supplied weight plates on the portable platform. To ensure proper alignment, slide the hood over the stack every three (3) or four (4) plates. Continue this until all eleven (11) weight plates are in place.
3. Using a 7/16" wrench, slide the hood over the stack of weight plates and attach to the platform using the twelve (12) supplied 1/4" nylock nuts and flat washers. **NOTE: Be sure to use silicone to seal the flange before bolting together.**



Portable Pro Pool 2 Assembly Instructions (Sand Ballast)

1. Fill the ballast tank with sand (not included) as shown below. Gently shake or tap the tank sides periodically to help level the sand. Alternate between fill ports to make sure sand is evenly distributed (use a large funnel to help in this step).
2. Once all the sand has been poured into the tank, return the caps to the top of the tank and attach them with the screws.
3. With the counter weight now in place, roll the lift to the desired location on the pool deck.



Portable Pro Pool 2 Assembly Instructions

4. Attach seat belt to the seat as shown in diagram to the right.
5. Place the battery on the charger and bring to a full charge.
6. Apply dielectric grease on the metal tabs of the battery and the control box on the lift.
7. Mount the battery onto the control box on the lift and snap the battery into place. Listen for a 'click' when the battery is installed properly. There should be no gap between the battery and control box. See FIGURE 1.

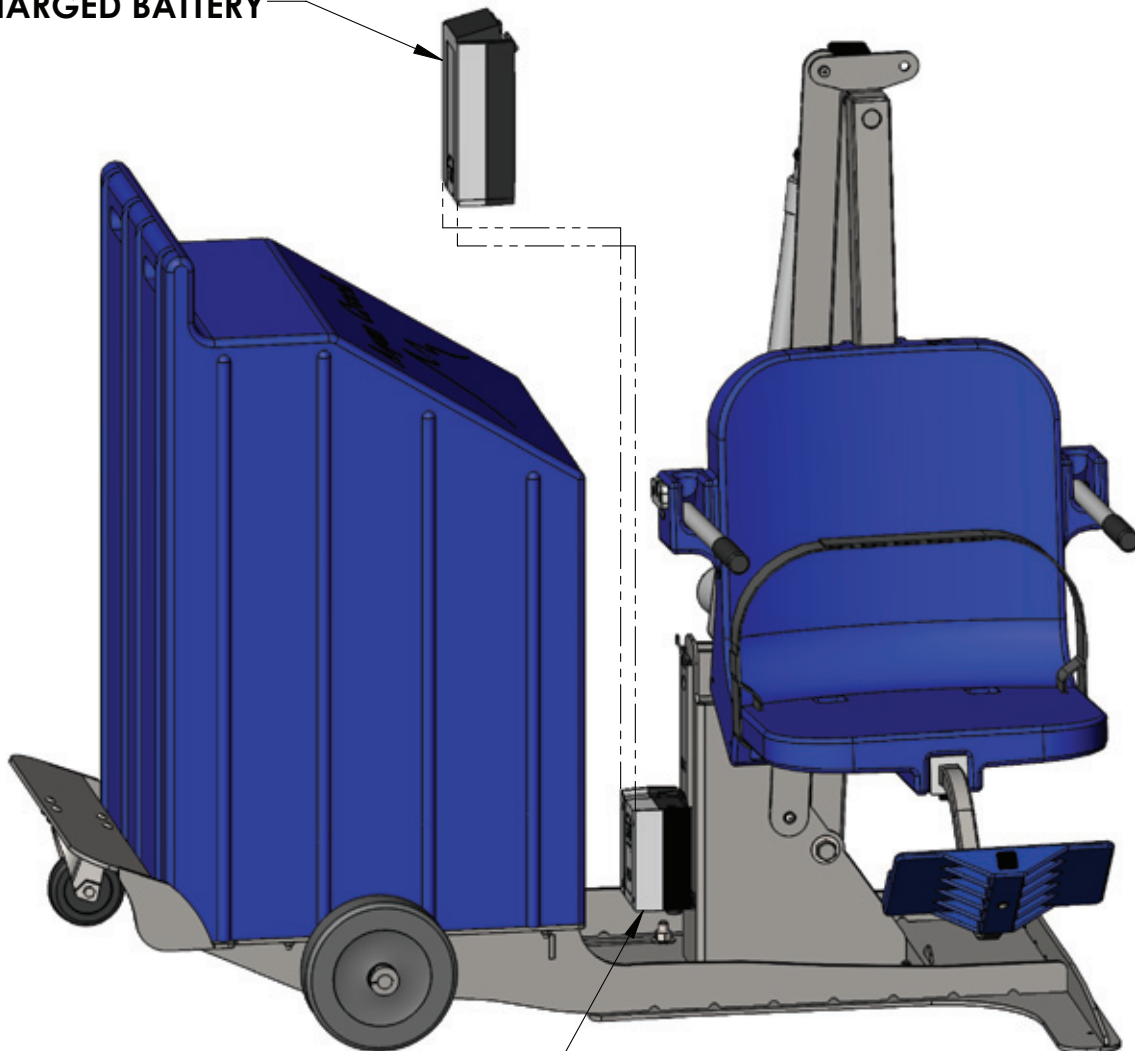
NOTE: To extend battery life, always store battery on the charger when the lift is not in service.

LOOP ON TOP FOR EASY ACCESS



THREAD THROUGH SLOTS AND PINCH TOGETHER TO HOLD

ATTACH FULLY CHARGED BATTERY



CONTROL BOX

FIGURE 1

Basic Troubleshooting

Problem: The lift won't move.

Solution:

1. Make sure the battery is properly seated:

You should hear a click when the battery is properly seated on the control box or charger.



NOT Properly Attached:
Note: the white bracket is in front of the silver clip, which will not allow for an electrical connection



Properly Attached:
Note: the white bracket is behind the silver clip, holding it securely to allow for an electrical connection

2. Make sure the cords are properly plugged in:



NOT Properly Inserted:
The cord plug is flush with or sticking out of the outlet



Properly Inserted:
The cord plug is recessed into the outlet

Check the ends of the cords for corrosion or damage. The cord plugs should be recessed into the outlet. You should feel them pop into place when they are correctly inserted.

3. Check the contact points:



Make sure the contact points of the control box and the battery are not damaged or corroded. If there is corrosion clean with Scotch-Brite™ pad. Put some dielectric grease on the contact points before reattaching the battery.

4. Make sure the battery is fully charged:



The Charger is ON when the green light is glowing
The Battery is CHARGING when the orange light is glowing
When the Battery is charged the orange light will stop glowing

Problem: The lift stopped moving over the water and is stuck.

Solution:

1. Press the emergency button

Use a pen or pencil tip and stick it into the emergency button on the front of the control box to retract the lift.

Note: the lift will not retract if the battery is not fully charged or if the control box is not working. The emergency button only overrides the remote handset.



FOR TROUBLESHOOTING ASSISTANCE



Proper Care of Pool & Spa Lifts

PROCEDURE	BEFORE EACH USE	DAILY	WEEKLY	MONTHLY
Check battery level indicator on control box	✓			
Run the lift through a complete test cycle (fully extend actuator) to verify it is functioning properly	✓			
Wash lift with fresh water and dry with clean, soft, non-abrasive cloth		✓		
Recharge battery		✓		
Visually inspect lift for damage, corrosion, and loose or missing hardware		✓		
Check all contact points for damage and/or corrosion			✓	
Repair, clean and apply dielectric grease to all contact points			✓	
Thoroughly clean lift frame and apply a liberal coat of car wax to maintain the lift's finish				✓
Check all Warning and Cautionary labels to make sure they are not faded or worn. Replace as needed.				✓

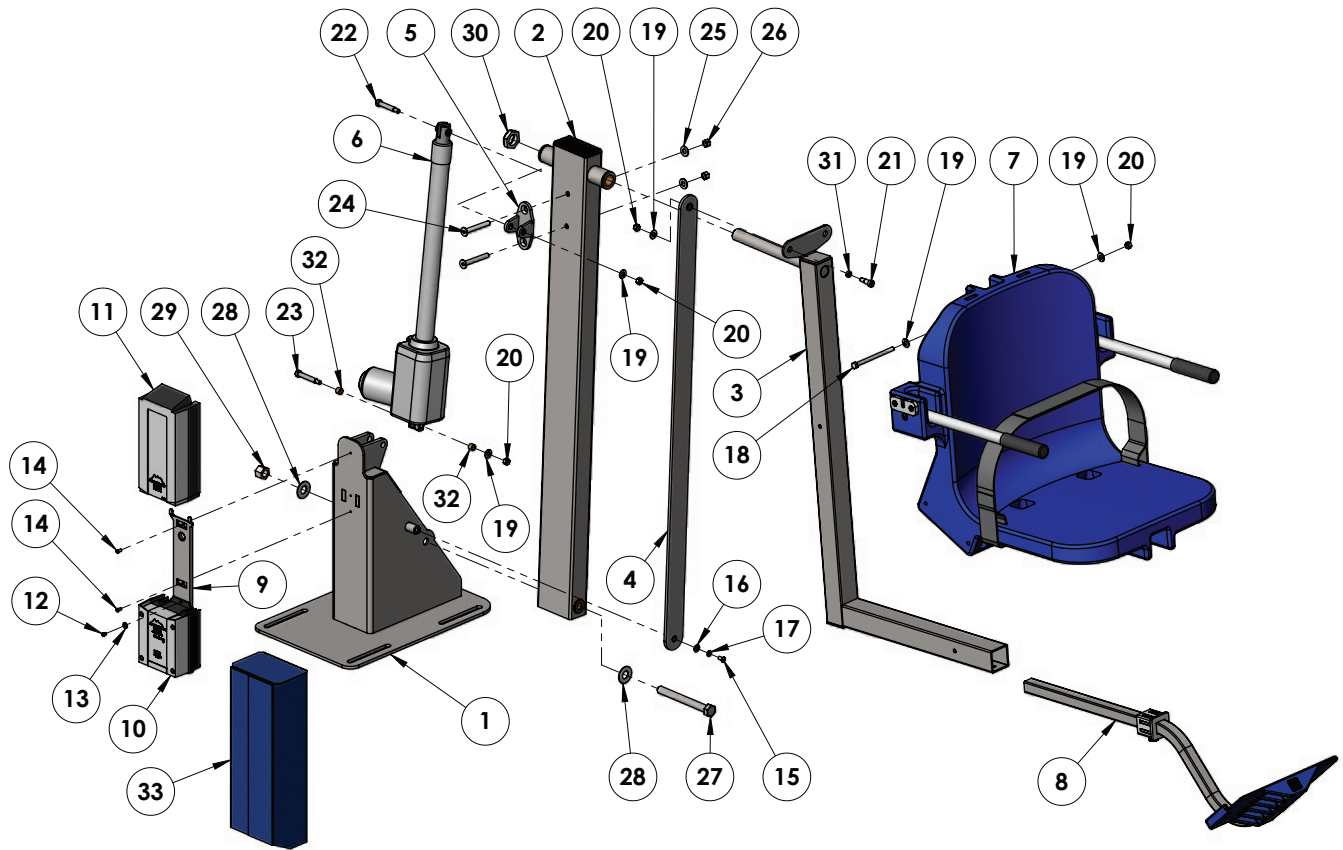
PROPER CARE NOTES

- **Use only fresh water to wash your lift. Do not wash with pool water.**
- Use only clean, soft, non-abrasive cloths on your lift.
- Do not store lift in pump room or near chemicals.
- Do not allow children to play on or around this lift.
- When cleaning the lift, do not spray water directly on control box or battery.
- The lift may need to be bonded according to local code requirements.

STAIN REMOVAL TIPS:

To remove stubborn stains from finish, spray affected area with mild dish soap, rub briskly with a 3M Scotch Brite™ pad. Use white epoxy paint to touch up the finish. Apply wax to protect when dry.

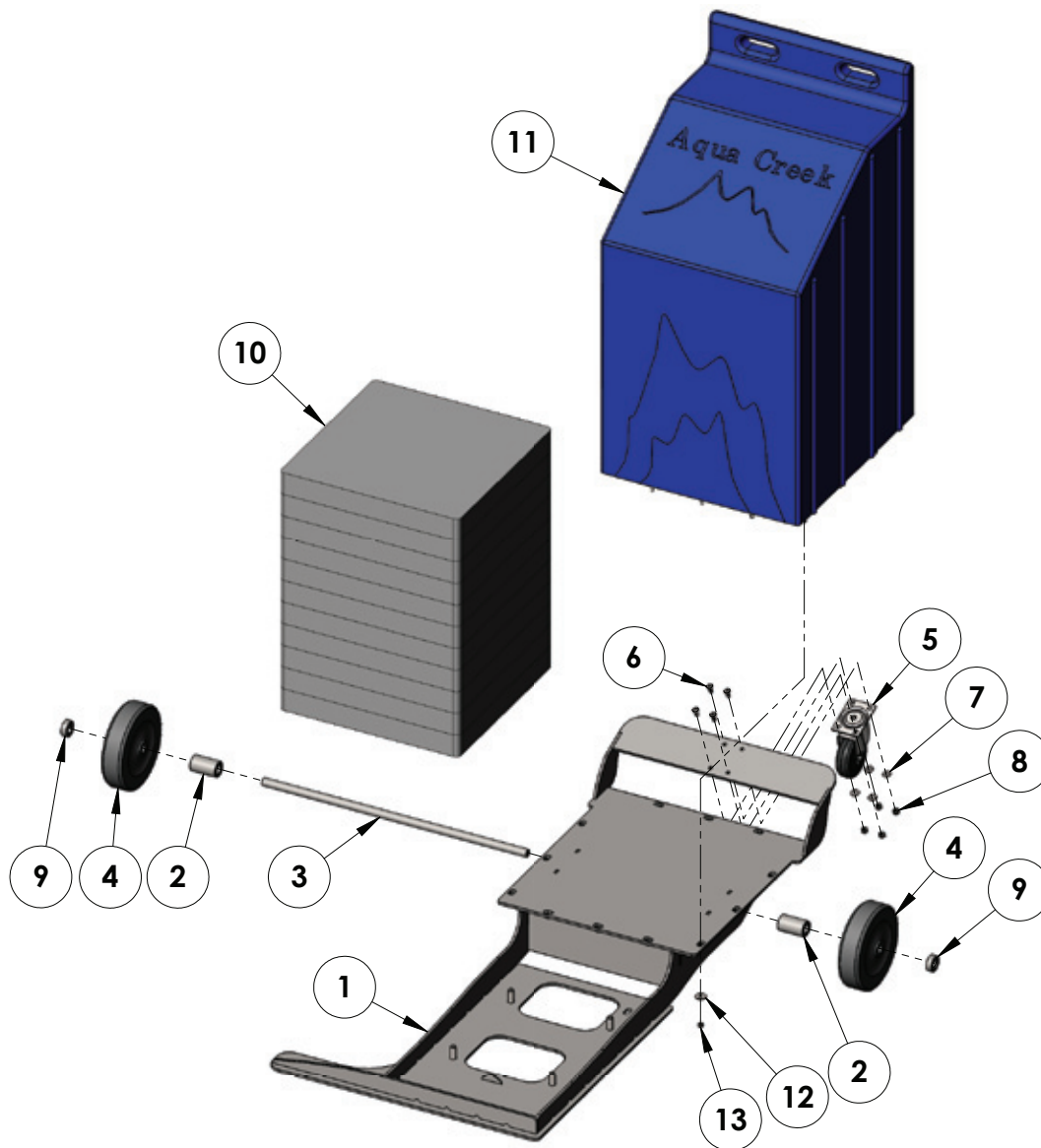
Portable Pro Pool 2 Lift Parts List



ITEM #	QTY	PART #	DESCRIPTION
1	1	PF2-100-02	BASE WELDMENT
2	1	PF2-200-03	MAIN FRAME ASSEMBLY
3	1	PF2-300-03	CHAIR CRADLE ASSEMBLY
4	1	PF2-400-04	CONTROL ARM
5	1	PF2-500-00	BRACKET ASSEMBLY
6	1	340665-00	LINAK 400MM PULL ACTUATOR
7	1	F-0904CA-A	CHAIR ASSEMBLY
8	1	F-FRB-03	FOOTREST ASSEMBLY
9	1	MBJ2-01	LINAK CONTROL BRACKET
10	1	CBJ2-U033-00	LINAK CONTROL BOX
11	1	BAJ1-U026-00	24V LINAK BATTERY
12	1	M5 LPCS	CONTROL BOX SCREW
13	1	WF 10	#10 FLAT WASHER
14	2	BSH 10 X 3/8	10-24 X 3/8 SHCS
15	1	BB 1/4 X 1/2	1/4-20 X 1/2 BHSCS
16	1	WF 1/4	1/4 FLAT WASHER
17	1	BB 1/4 X 1/2	1/4-20 X 1/2 BHSCS
18	1	BH 5/16 X 4 1/2	5/16-18 X 4 1/2 HCS
19	5	WF 5/16	5/16 FLAT WASHER
20	4	NN 5/16	5/16-18 NYLOCK NUT
21	1	BS 3/8 X 9/16	3/8 X 9/16 SHOULDER BOLT
22	1	BS 3/8 X 1 3/4 18-8	3/8 X 1 3/4 SHOULDER BOLT
23	1	BS 3/8 X 2 18-8	3/8 X 2 SHOULDER BOLT
24	2	BC 3/8 X 3	3/8-16 X 3 FHSCS
25	2	WF 3/8	3/8 FLAT WASHER
26	2	NN 3/8	3/8 NYLOCK NUT
27	1	BH 5/8 X 5 7/8 18-8	5/8 X 5 7/8 HCS
28	2	WF 5/8	5/8 FLAT WASHER
29	1	NN 5/8	5/8 NYLOCK NUT
30	1	NNJ 1	1" NYLOCK JAM
31	1	BRB EP060803	3/8 X 1/2 X 3/16 SLEEVE BUSHING
32	2	BRB SS-1216-6	1/2 X 3/8 X 3/8 BRONZE SLEEVE
33	1	F-UBC	BATTERY COVER
178	1	WL 1/4	1/4 LOCK WASHER

ITEM #	QTY	PART #	DESCRIPTION
18	1	BH 5/16 X 4 1/2	5/16-18 X 4 1/2 HCS
19	5	WF 5/16	5/16 FLAT WASHER
20	4	NN 5/16	5/16-18 NYLOCK NUT
21	1	BS 3/8 X 9/16	3/8 X 9/16 SHOULDER BOLT
22	1	BS 3/8 X 1 3/4 18-8	3/8 X 1 3/4 SHOULDER BOLT
23	1	BS 3/8 X 2 18-8	3/8 X 2 SHOULDER BOLT
24	2	BC 3/8 X 3	3/8-16 X 3 FHSCS
25	2	WF 3/8	3/8 FLAT WASHER
26	2	NN 3/8	3/8 NYLOCK NUT
27	1	BH 5/8 X 5 7/8 18-8	5/8 X 5 7/8 HCS
28	2	WF 5/8	5/8 FLAT WASHER
29	1	NN 5/8	5/8 NYLOCK NUT
30	1	NNJ 1	1" NYLOCK JAM
31	1	BRB EP060803	3/8 X 1/2 X 3/16 SLEEVE BUSHING
32	2	BRB SS-1216-6	1/2 X 3/8 X 3/8 BRONZE SLEEVE
33	1	F-UBC	BATTERY COVER

Portable Pro Pool 2 Cart Parts List



Item #	QTY	PART #	DESCRIPTION
1	1	PP2-100WM-00	PORTABLE PRO POOL 2 CART WELDMENT
2	2	PP2-109-00	WHEEL SPACER
3	1	PP2-110-00	AXLE SHAFT
4	2	5.00008.459.2.SSRB	WHEEL, RUBBER, PERFORMA, SS BEARING
5	1	2NF100SA	4" SS CASTER ASSEMBLY
6	4	BB 5/16 X 3/4	BOLT, 316 SS, 5/16-18 X 3/4 BHSCS
7	4	WF 5/16	WASHER, FLAT, 5/16, 316 SS
8	4	NN 5/16	NUT, 316 SS, NYLOCK, 5/16-18
9	2	LOCK COLLAR 3/4 SS	LOCK COLLAR, 3/4, SS, SINGLE SPLIT
*10	11	WP-60	WEIGHT PLATE, CONCRETE, 2" x 18" x 18"
11	1	A-985B	COVER ASSEMBLY
12	12	WFE 1/4	WASHER, FENDER, 316 SS, 1/4 X 1
13	12	NN 1/4	NUT, 316 SS, NYLOCK, 1/4-20

*only if weight plate version of lift was purchased

AQUA CREEK PRODUCTS, LLC LIMITED FIVE (5) YEAR WARRANTY:
PORTABLE PRO POOL 2 LIFT

(ITEM #'s F-PPP2, F-PPP2-T, F-PPP2-G, F-PPP2-C, F-PPP2S, F-PPP2S-T, F-PPP2S-G, F-PPP2S-C)

Aqua Creek Products, LLC (a.k.a. Aqua Creek) warrants to the original end user purchaser that products manufactured by Aqua Creek, when properly installed in accordance with assembly and installation instructions, and properly used and maintained, shall be free from defects in material and workmanship for a period of **five (5) years from the date of original purchase**, provided that Aqua Creek receives prompt notice in writing of any defect or failure and satisfactory proof thereof, with the following exception(s):

Exceptions:

- All electrical components, including the linear actuator shall have the following warranty period:
 - Year 1-2: 100% Coverage
 - Year 3: 60% Coverage (Customer is responsible for 40% of replacement cost)
 - Year 4: 50% Coverage (Customer is responsible for 50% of replacement cost)
 - Year 5: 40% Coverage (Customer is responsible for 60% of replacement cost)
- Hydraulic actuators and mesh slings shall have a warranty period of **one (1) year from the date of original purchase**.
- Powder coat finish scratches, scrapes, corrosion, or dents from customers normal use, negligence, or abuse

This warranty specifically excludes reimbursement for labor to remove, repair, or install the product and any shipping charges. These warranties do not cover any damages due to accident, force majeure, act of nature, misuse, abuse, negligence or failure to properly maintain any products, or normal wear and tear from day to day operations. In the event that any products are altered, repaired, or improperly installed or improperly used by anyone without the prior written approval by Aqua Creek, all warranties are void. **IMPORTANT: AMOUNT OF WEIGHT PLACED ON LIFT SHALL NOT EXCEED THE RATED LIFTING CAPACITY FOR THE LIFT. NEVER OPERATE THE LIFT UNDER LOAD IN A DRY POOL (WITH NO WATER IN THE POOL).** It is the responsibility of the lift owner to verify the weight of the patron for warranty claim purposes and to ensure that the lift is not overloaded. Non-payment for product to Aqua Creek may void warranty.

To initiate a warranty claim, the owner of an Aqua Creek product must provide the place of purchase, in writing, with a full description of the product, its serial number, the dates of purchase and installation, and the exact nature of the defect. Within thirty (30) days after receipt of a written warranty claim by Aqua Creek, and barring any unforeseen delays, the place of purchase will be notified of Aqua Creek’s decision regarding the claim.

If requested by Aqua Creek, any defective product must be returned, freight prepaid by customer, to Aqua Creek’s designated factory location or duly appointed distributor for inspection and/or repair. Aqua Creek will, at its option, repair or replace the failed or defective item, and deliver the repaired product or replacement to the customer. All freight charges are the responsibility of the customer. Products returned to Aqua Creek for which Aqua Creek provides replacement under this limited warranty shall become the property of Aqua Creek. A new warranty period shall **NOT** be established for the repaired or replaced products. Such products shall remain under warranty only for the remainder of the original warranty period on the original products purchased.

This written limited warranty constitutes the final, complete and exclusive statement of warranty terms. No person or organization is authorized to make any other specific or implied warranties or representations on behalf of Aqua Creek.

THE WARRANTIES SET FORTH HEREIN ARE IN LIEU OF ALL OTHER WARRANTIES, EXPRESSED OR IMPLIED, WHICH ARE HEREBY DISCLAIMED AND EXCLUDED, INCLUDING WITHOUT LIMITATION ANY WARRANTY OF MERCHANTABILITY OR FITNESS FOR A PARTICULAR PURPOSE OR USE.

THE SOLE AND EXCLUSIVE REMEDIES FOR BREACH OF ANY AND ALL WARRANTIES WITH RESPECT TO THE PRODUCTS SHALL BE LIMITED TO REPAIR OR REPLACEMENT AT AQUA CREEK’S DESIGNATED FACTORY LOCATION, OR DULY APPOINTED DISTRIBUTOR, OR IN PLACE AT AQUA CREEK’S OPTION. IN NO EVENT SHALL AQUA CREEK’S LIABILITY EXCEED THE ENTIRE AMOUNT PAID TO AQUA CREEK BY THE ORIGINAL PURCHASER FOR THE FAILED OR DEFECTIVE PRODUCT.

IN NO EVENT SHALL AQUA CREEK PRODUCTS, LLC BE LIABLE FOR ANY INCIDENTAL, CONSEQUENTIAL, SPECIAL, INDIRECT, PUNITIVE OR EXEMPLARY DAMAGES OR LOST PROFITS FROM ANY BREACH OF THIS LIMITED WARRANTY OR OTHERWISE.

THIS WARRANTY GIVES YOU SPECIFIC LEGAL RIGHTS AND YOU MAY ALSO HAVE OTHER RIGHTS, WHICH MAY VARY FROM STATE TO STATE. SOME STATES DO NOT ALLOW THE EXCLUSION OR LIMITATION OF INCIDENTAL, SPECIAL OR CONSEQUENTIAL DAMAGES, SO SOME OF THE ABOVE LIMITATIONS OR EXCLUSIONS MAY NOT APPLY TO YOU.

