

# USER MANUAL

## LINCOLN EXPANDABLE BARIATRIC

5 FUNCTION ELECTRIC BED

WIDTH EXPANDS FROM 36" – 42" – 48"



FOR  
SERIES MODEL # LX-BARI



Innovative Healthcare Solutions

© 2020  
MADE IN CHINA

## TABLE OF CONTENTS

<b>PAGE 2</b>	<b>INTRODUCTION &amp; PRODUCT FEATURES</b>
<b>PAGE 3</b>	<b>PARTS LIST AND DESCRIPTION</b>
<b>PAGE 4</b>	<b>INSTALLING THE LIFTING FRAME &amp; HEIGHT ADJUSTMENT MOTOR</b>
<b>PAGE 5</b>	<b>INSTALLING THE LENGTH EXTENSION FRAME</b>
<b>PAGE 6-8</b>	<b>INSTALLING BED BOARDS</b>
<b>PAGE 8</b>	<b>WIRING THE NURSE CONTROL</b>
<b>PAGE 9</b>	<b>CASTERS</b>
<b>PAGE 9-10</b>	<b>BED WIDTH EXTENSION</b>
<b>PAGE 10</b>	<b>BED LENGTH EXTENSION</b>
<b>PAGE 11</b>	<b>CORNER MATTRESS RETAINER</b>
<b>PAGE 11-12</b>	<b>BUMPER GUARD INSTALLATION AND USAGE</b>
<b>PAGE 12-13</b>	<b>SIDE RAIL INSTALLATION</b>
<b>PAGE 13</b>	<b>PATIENT REMOTE CONTROL</b>
<b>PAGE 13-15</b>	<b>PATIENT &amp; NURSE REMOTE CONTROL OPERATING FEATURES &amp; FUNCTIONS</b>
<b>PAGE 15</b>	<b>BATTERY BACKUP TRENDELENBURG AND IV POLE</b>

The **MedaCure Lincoln Expandable Bed** is a fully electric, versatile and multi-functional bed for Long Term Care, Hospital & Home Care settings. It expands in both the width (from 36" to 48") and length (from 80" to 88") which makes it ideal for standard, bariatric and tall patients. It has a low position of 14.9" and 5 patient position functions to enhance the quality of care and for ultimate comfort. The Lincoln uses 4 sophisticated motors to control all functions and has a weight capacity of 700 lbs. The bed comes standard with a patient remote control and an optional nurse control on the foot board. The bed is a Class II Medical Device. The plug and the motors are IP43 rated.

Durable and built to last with all steel construction and removable head & foot boards. The Lincoln is a sturdy bed with multi-functional features and an attractive upscale design that will enhance the décor of any room.

### **5 Function Electric Bed Head and Foot Positions, Hi/Lo, Trendelenburg & Reverse Trendelenburg**



### **Expandable width from 36" – 42" – 48"** Adjusts for both Standard and Bariatric Patients

#### **PRODUCT FEATURES**

- Patient remote hand control for all 5 positions (standard)
- Nurse control mounted on footboard with override feature (optional)
- Backup battery for all 5 functions in case of emergency
- Hi position height travels to 29 ½"
- Low position goes to 14.9"
- Adjustable/expandable mattress deck length from 80" to 88"
- Mattress keepers – keeps mattress from sliding
- 8 Casters: 4 pcs. swivel & 4 locking casters
- 2 Adjustable side rails
- Under bed clearance of 5"
- IV pole mount on 2 head corners and the middle of the bed frame
- Trapeze bracket mount on 2 head corners
- Durable rectangle tube bed deck
- Interchangeable head/foot boards
- Durable 1 piece reinforced steel frame
- Each bed has four mattress retainers, 1 on each corner
- Each bed has two bumper guards on the head of the bed
- Foldable head board

**Weight capacity: 700 lbs.**

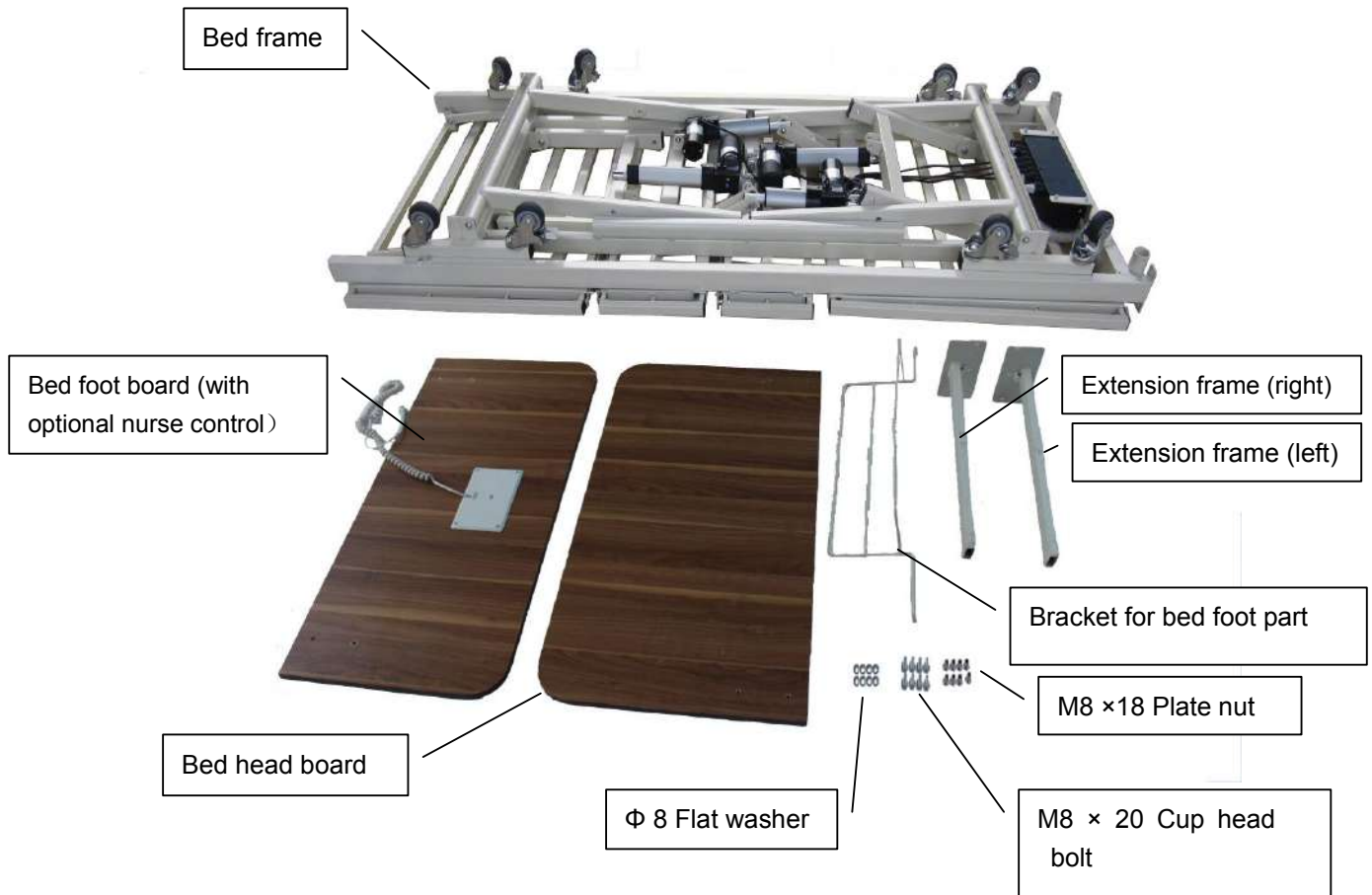


**Width Expands & Retracts  
without any Tools**

## PARTS LIST & DESCRIPTION

**IMPORTANT:** Read this manual completely before setting up or operating this system and keep in a safe place for future reference. To avoid injury and for maximum safety, this system should only be installed by an authorized technician or dealer representative.

Electric bed installation parts listed below as per Figure # 1



**Figure # 1**

### 1. Installing the lifting frame

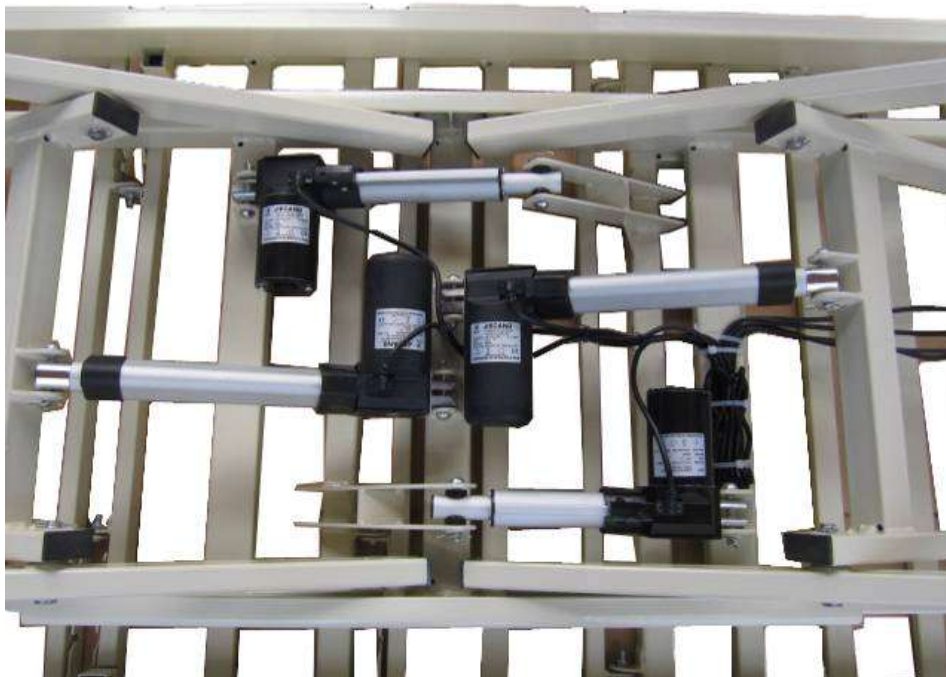
Remove the  $\phi$  13.5 bolt from the lifting frame (1). Place a  $\phi$  14 plastic washer between the lifting frame (1) and lifting frame (2), matching the bolt holes on both lifting frames. Fasten with a  $\phi$  13.5 bolt with cotter pin as per Figure # 2. Use 4 bolts to connect the lifting frames.



**Figure # 2**

### 2. Installing height adjustment motor

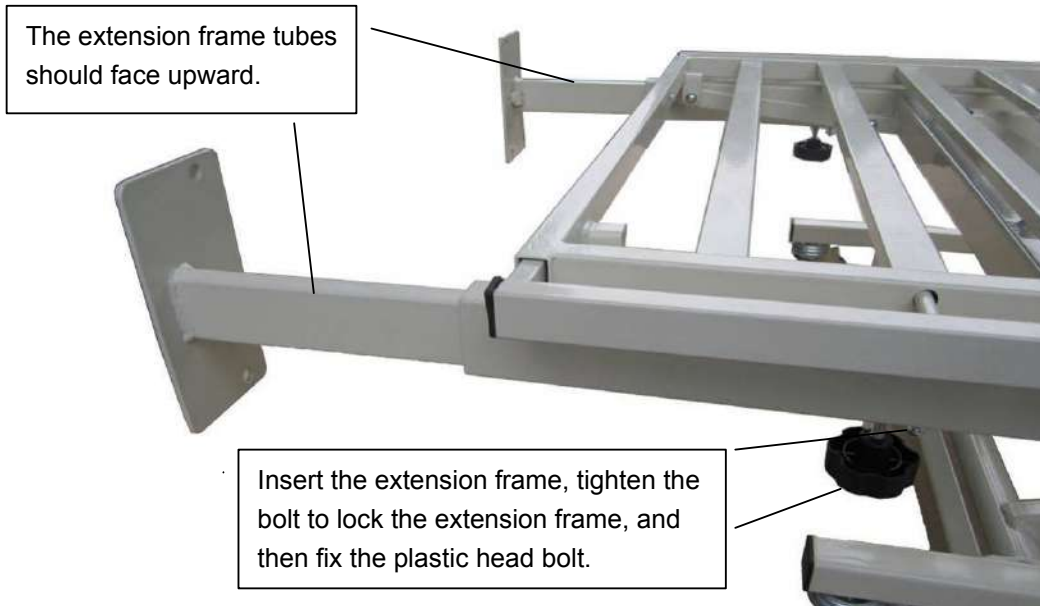
Match the installation holes on height adjustment motor and motor base and fasten by  $\phi$  10 bolt with latch as per Figure # 3. Before attaching the bolt, first attach a 10 plastic washer to the bolt. Install the two height adjustment motors one by one.



**Figure # 3**

### 3. Installing the length extension frame

3.1. Insert extension frame (left) & extension frame (right) into the 60 x 30 mm rectangular bed frame tube. See Figure # 4



**Figure # 4**

3.2. Install bracket for bed foot part as per Figure # 5.



**Figure # 5**

#### 4. Installing the bed boards

4.1 Press the M8 × 18 plate nut into the bed board holes, as per Figure # 6.



**Figure # 6**

4.2.1 Match the bed head board with the bed frame installation holes. Fasten by M8 X 20 cup head bolt with  $\phi$  8 flat washer, as per Figure # 7.



**Figure # 7**

4.2.2 Foldable head board installation as noted in Figure # 7.1





Unfolded Position



Folded Position

**Figure # 7.1**

4.3 Match the bed foot board with the extension frame installation holes.

Fasten by M8 X 20 cup head bolt with  $\phi$  8 flat washer.

Bed foot board can be installed in both the high and low level position. See Figure # 8 & Figure # 9.



**Figure # 8** Bed foot board in low-level installation position





**Figure # 9** Bed foot board in high-level installation position

4.4 Install the bed head board to the bed head frame, and bed foot board to the bed foot frame, as per Figure # 10.



**Figure # 10**

4.5 Wire the nurse control on bed foot board as per Figure # 11



Connector for the nurse control & remote control

**Figure # 11**

## 5. Casters

There are 4 pcs. locking casters and 4 pcs. swivel casters per set.

Step on the locking pedal (lower) to activate the locking position and step on the unlocking pedal (upper) to deactivate the locking system. See Figure # 12 & 13.



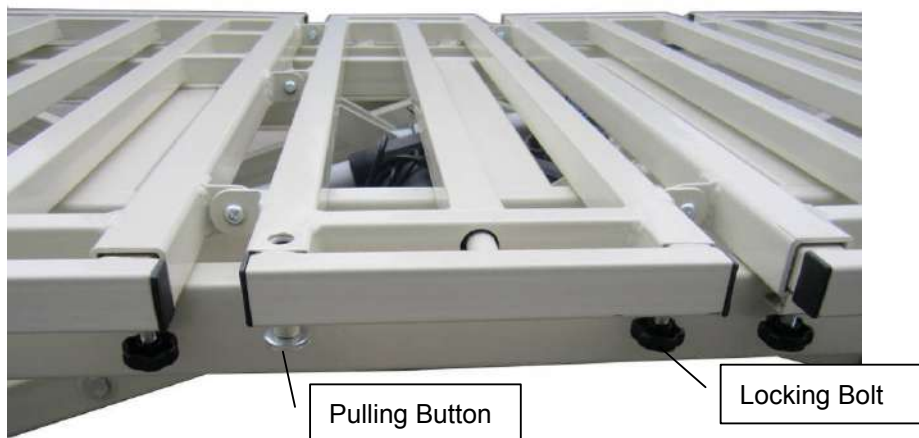
**Figure # 12** Locked position



**Figure # 13** Unlocked position

## 6. Operation for bed surface extension frame

6.1 First, loosen the "Locking Bolt". Then, pull the "Pulling Button" with one hand and pull out the extension frame until it clicks into your desired location hole (see 6.2 below). Tighten the "Locking Bolt" to lock the extension frame in place. See figure # 14.



**Figure # 14**

6.2 **IMPORTANT NOTE:** There are 3 location holes on each extension frame for 3 width adjustment settings - 36", 42" and 48" widths. There are 4 separate extension frames on each side of the main frame. Repeat the above method in 6.1 to achieve the desired width and then tighten the "Locking Bolt" to lock the extension frame in place. See Figure # 15.



**Figure # 15**

#### 7. Bed foot length extension frame

Loosen the screw on the bed frame, and pull out the extension frame.  
Tighten the screw until the ideal length is selected, as per Figure # 16.



**Figure # 16**

8. Each corner of the bed frame has two mattress retainer installation holes. Insert the mattress retainer as noted in Figure # 16.1.



Mattress Retainer Installation for Standard Bed Deck



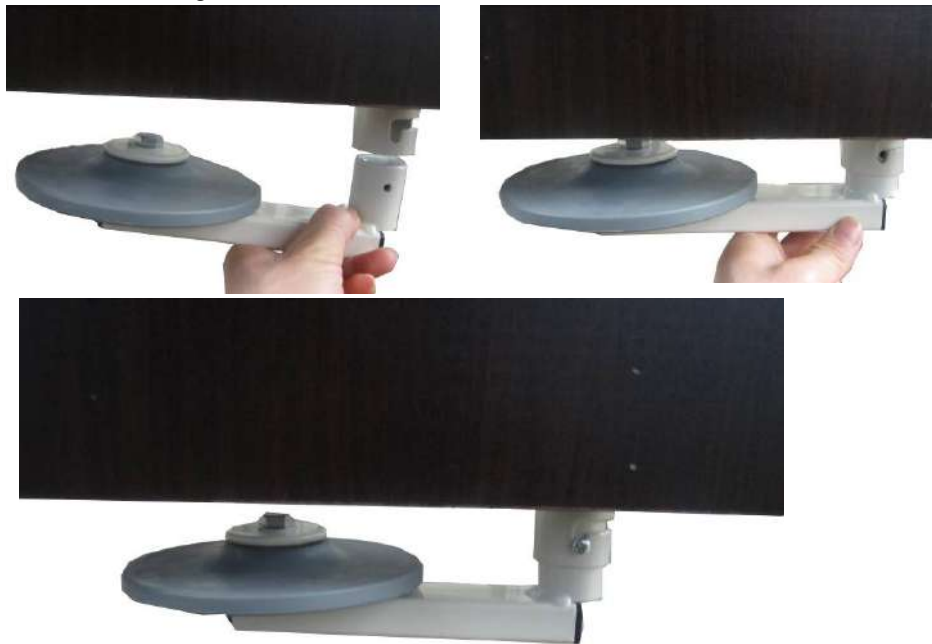
Mattress Retainer Installation for Expandable Bed Deck

**Figure # 16.1**

## **9. Bumper Guard Installation and Usage**

There are two retractable rubber Bumper Guards on the head of the bed. When extended they will protect the walls when raising or lowering the bed. Retract the bumper guards to discreetly store under the frame.

- 9.1 Insert the bumper guard stem to the bracket. Align the mounting holes and fasten the screws as noted in Figure # 16.2.



**Figure # 16.2**

9.2 **Extended Position:** Push the bumper guard stem upward and turn the stem outward until the screw clicks with slot as noted in Figure # 16.3.



**Figure # 16.3**

9.3 **Retracted Position:** when bumper guard is not in use, push the stem upward and turn it inward until screw clicks with slot as noted in Figure # 16.4



**Figure # 16.4**

## 10. Side rail installation & use

10.1 Loosen the screw on the side rail mounting base. Clip the mounting base with the 60 x 30mm rectangular bed frame tube and tighten the screw when you finish adjusting the position. See Figure # 17



**Figure # 17**

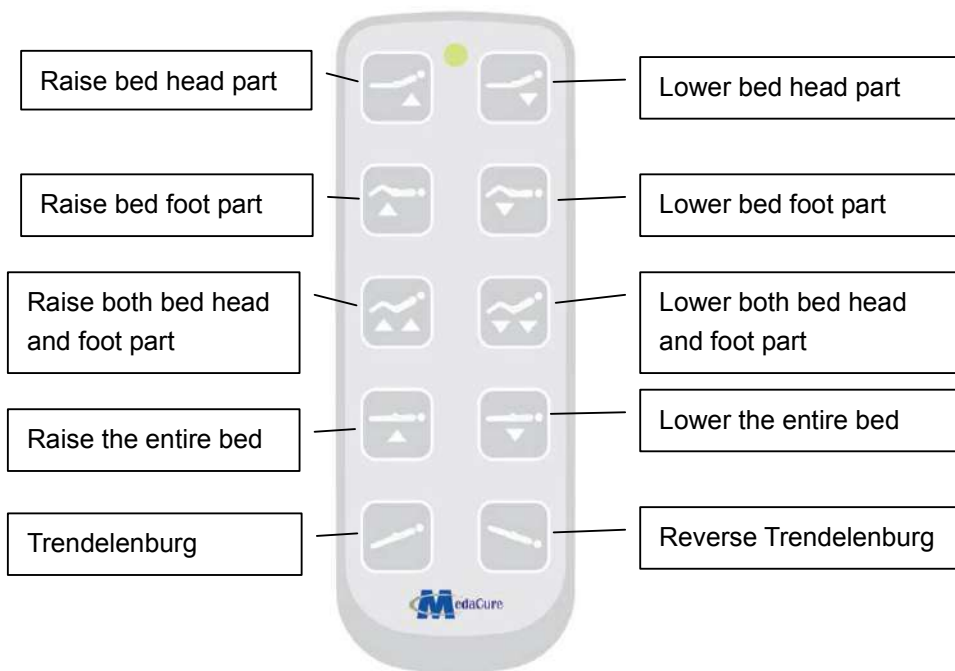
10.2 To raise the side rails - Pull up until the rail clicks in place.

To lower the side rails - release the pulling button as per Figure # 18.



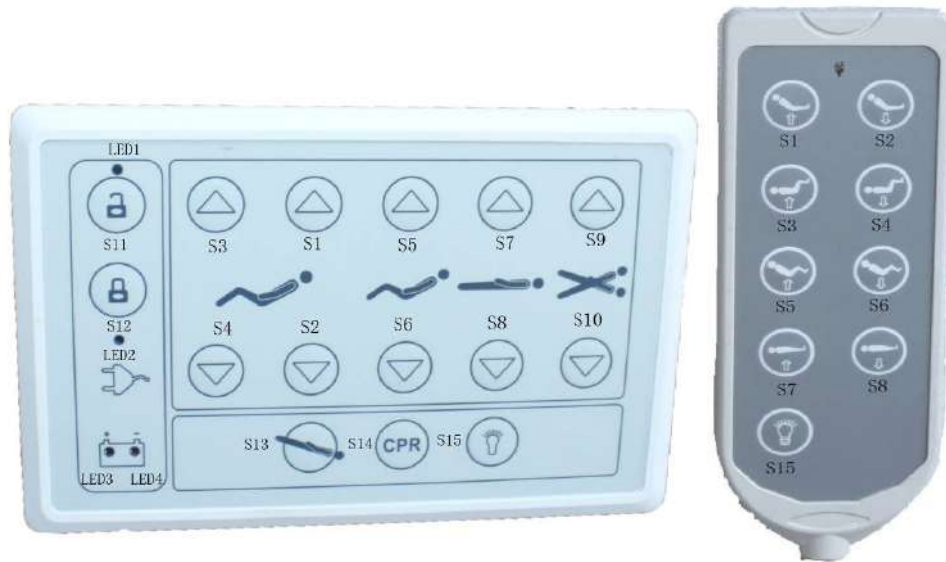
Figure # 18

**11. Patient remote control only - on bed models without the nurse control**




**12. Patient remote control and nurse control – on bed models with nurse control**

First ensure the power cord is connected. Patient can easily control the bed positions by using the patient remote control or nurse control, including adjusting the bed height, raising and lowering the back and foot positions, trendelenburg and reverse trendelenburg. Press the remote control button until the ideal position is selected. See Figure # 19.



**Figure # 19      Nurse Control (optional)      Patient Remote Control**

When the power is on, the locking option is released automatically. The LED1  indicator light turns on and the patient remote control and nurse control are ready for use.

To lock the position functions, press the lock button (S12). The indicator light will turn off and the S1-S10 position buttons on the patient remote control and nurse control are locked and inoperable.

To unlock the position functions, press the unlock button (S11). The indicator light will turn on and the patient remote control and nurse control functions are unlocked and operable.


S1-S10: to control the raising/lowering of the head, raising/lowering of the foot, raising/lowering of both the head and foot, the entire bed height adjustment, trendelenburg and reverse trendelenburg, under control of the lock function.

#### **REMOTE CONTROL OPERATING FEATURES & FUNCTIONS – on bed models with nurse control**

- S1:** controls the raising of the head position
- S2:** controls the lowering of the head position
- S3:** controls the raising of the foot position
- S4:** controls the lowering of the foot position
- S5:** controls the raising of both the head position and foot position
- S6:** controls the lowering of both the head position and foot position
- S7:** controls the raising of the entire bed
- S8:** controls the lowering of the entire bed
- S9:** controls the Trendelenburg
- S10:** controls the reverse Trendelenburg
- S11:** to Unlock the position functions
- S12:** to Lock the position functions
- S13:** controls the lowering of both the head and foot position to the bottom and simultaneously controls the reverse trendelenburg to the highest position; out of control of the locking button.


**S14 CPR button:** controls the lowering of the head and foot position and lowers the entire bed to the lowest position; out of control of the lock function.

**S15 Night Light button** (optional feature): turns the night light on and off; out of control of the lock function.

When the plug is connected to an outlet using AC power, the indicator light LED2  for the nurse control plug and patient remote control backlight comes on. Without AC power or when the plug is not plugged in, the indicator light LED2 for the nurse control plug and patient remote control backlight goes out.

### 13. BATTERY BACKUP

The MedaCure Lincoln Bed comes with an emergency battery backup which enables the caregiver to control all functions by the nurse control or patient remote control in case of a power outage or during patient transport. Battery type: lead-acid cell

If the backup battery is not connected, the green/orange indicator light  for the nurse control panel will be off. If the battery power is sufficient to maintain normal operation, the green indicator light LED3 will turn on and the orange indicator light LED4 will turn off. If the battery voltage is unable to maintain normal operation, the green indicator light LED3 will turn off and the orange indicator light LED4 will turn on.

When the battery power is low the alarm will sound to alert the user until the battery discharge function is shut down. During long distance transportation or when not in use for a long period of time it is recommended to shut down the storage battery function when AC is off by pressing the red button at the right side for 5 seconds.



**Figure # 20** Trendelenburg position



**Figure # 21** Reverse trendelenburg position

### 14. Lifting pole and IV pole are optional

There are two (2) lifting pole sockets and two (2) IV pole sockets on the head part of the bed frame.