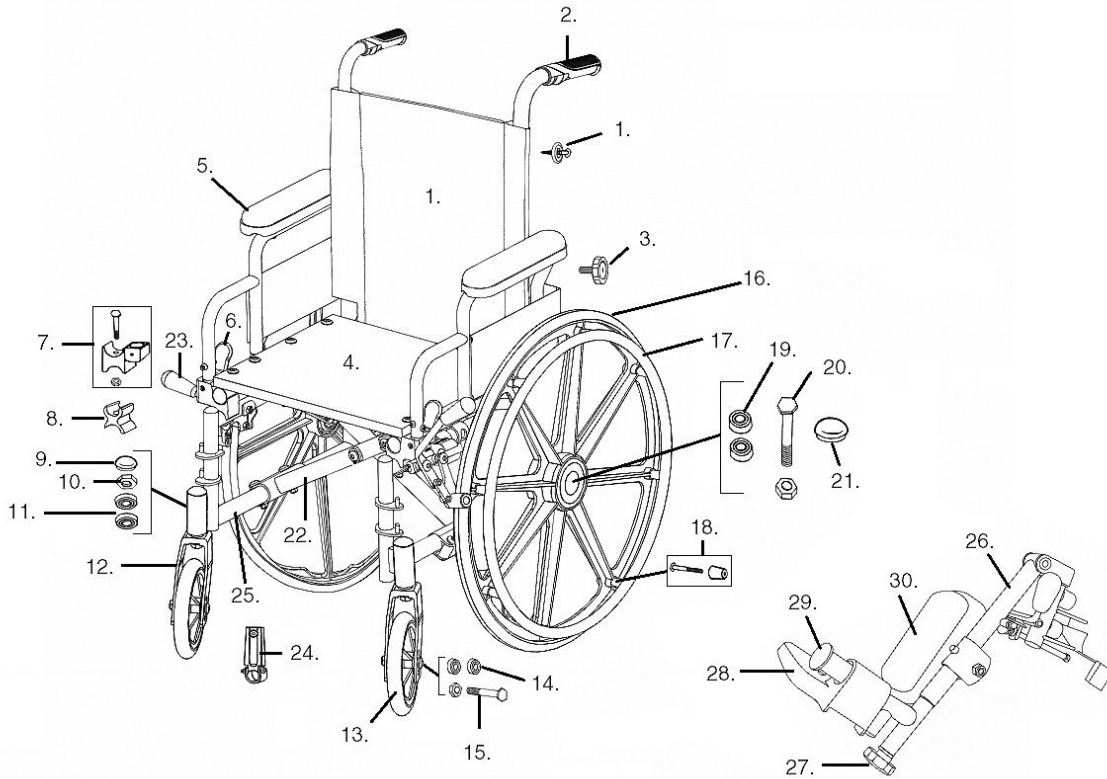


# VIPER JR



- 1. Back Upholstery 12"- STDS2353BLK  
Back Upholstery 14"- STDS2355BLK  
Back Uphol. Hardware (8 ea)- STDS5D5504
- 2. Hand Grip- TRHG
- 3. Back Height Adjustment Knob- STDS895
- 4. Seat Upholstery 12"- STDS2352BLK  
Seat Upholstery 14"- STDS2354BLK  
Seat Upholstery Hardware (8 ea)- STDS1072-8
- 5. Armrest Left- STDSDDAJVL  
Armrest Right- STDSDDAJVR  
Arm Pad- STDSDSKNB  
Arm Pad Screw (ea)- STDS002001
- 6. Arm Release Lever- STDS4012-3
- 7. Front Seat Saddle Left- STDS2A3140  
Front Seat Saddle Right- STDS2A3141
- 8. Rear Seat Saddle- STDS4058
- 9. Dust Cap- STDS1051
- 10. Fork Stem Nut- STDS2A3401
- 11. Fork Stem Bearing (ea)- STDS2A3402
- 12. Fork- STDS2A3403
- 13. Caster- STDS3021
- 14. Caster Bearing (ea)- STDS1011
- 15. Caster Axle- STDS2A3423
- 16. Rear Wheel Assembly- STDS1025
- 17. Hand Rim- STDS2A3413
- 18. Hand Rim Hardware (8 ea)- STDS1073
- 19. Rear Wheel Bearing (ea)- STDS1012
- 20. Rear Axle- STDS2A3411
- 21. Hub Cap- STDS1000C
- 22. Cross Frame 12"- STDS2A3412  
Cross Frame 14"- No Longer Available
- 23. Wheel Lock Left- STDS2A340L  
Wheel Lock Right- STDS2A340R
- 24. Cross Frame Assist 12"- STDS2A3424  
Cross Frame Assist 14"- STDS2A3422
- 25. Side Frame Left- STDS2A341L  
Side Frame Right- STDS2A341R
- 26. Elevating Leg Rest- JLELR-TF
- 27. Adj. Knob & Bolt Assembly- JLELR-TFKA
- 28. Footplate- STDS003441
- 29. Footplate Bumper- STDS1026
- 30. Calf Pad- STDS2A3442