

vive®



TOILET SAFETY RAIL

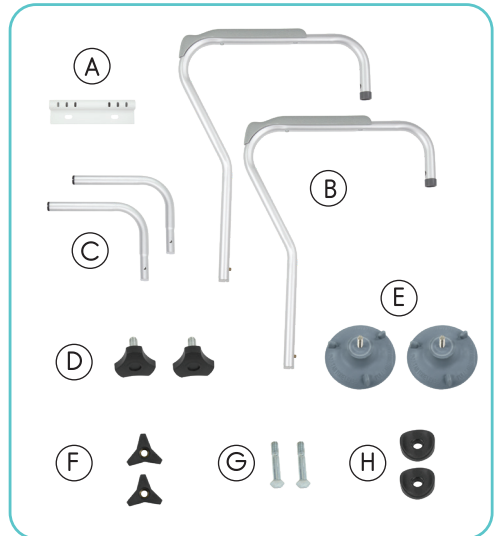
Owner's Manual
LVA1010

OVERVIEW

We are constantly answering questions and recording helpful videos to make using your Vive Toilet Safety Rail as easy as possible. Check out the included QR code and video link to help you through the process.

WHAT'S INCLUDED

- Ⓐ 1x Rear Bracket
- Ⓑ 2x Armrests
- Ⓒ 2x Slide Assist Rails
- Ⓓ 2x Backrest Screw Knobs
- Ⓔ 2x Screw-on Suction Leg Tips
- Ⓕ 2x Armrest Knobs
- Ⓖ 2x Armrest Screws
- Ⓗ 2x Armrest Washers



ASSEMBLY INSTRUCTIONS

1. Detach the toilet seat lid from the toilet where you will be using this product.
2. Locate the rear white bracket (A) with the two screw holes on the toilet safety rail.



3. Position the screw holes on the bracket (A) to the screw holes on the toilet, making sure the bracket is flat against the toilet.



4. Add the toilet seat lid on top of the rear bracket (A), align all the holes and fasten with the same screws and bolts.



5. Screw suction leg tips (E) onto the ends of armrests (B).



6. Attach armrests (B) using the knobs (F), screws (G) and washers (H) to the assist rails (C). Make sure all knobs are secured before use of product.



7. Slide rear assist rails (C) into rear bracket (A). Set arm rests to desired width. Use Backrest Screws Knobs (D) to secure in place.



8. Adjust assist rail leg extensions according to the height of the toilet.



WARNING ⚠

- Check periodically to make sure all fixings are tight and secure.
- Max User Weight: 300 LBS